



# T&S BRASS AND BRONZE WORKS, INC.

2 Saddleback Cove / P.O. Box 1088  
Travelers Rest, SC 29690

Model No.

**B-0597**

Item No.

Travelers Rest, SC: 800-476-4103 • Simi Valley, CA: 800-423-0150 • Fax: 864-834-3518 • www.tsbrass.com

This Space for Architect/Engineer Approval

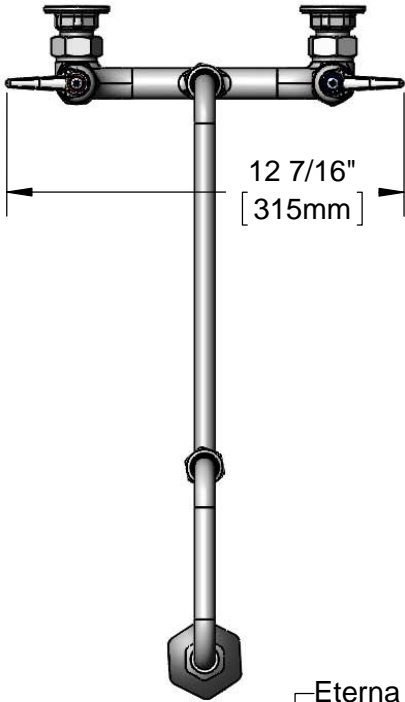
Job Name \_\_\_\_\_ Date \_\_\_\_\_

Model Specified \_\_\_\_\_ Quantity \_\_\_\_\_

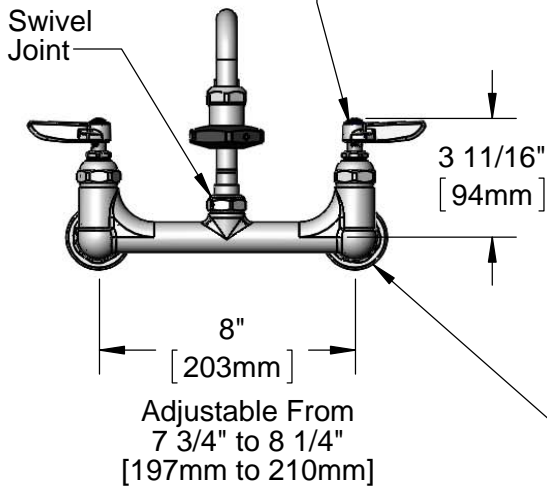
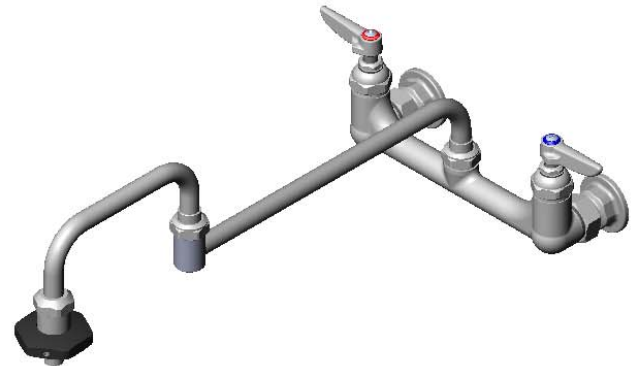
Customer/Wholesaler \_\_\_\_\_

Contractor \_\_\_\_\_

Architect/Engineer \_\_\_\_\_

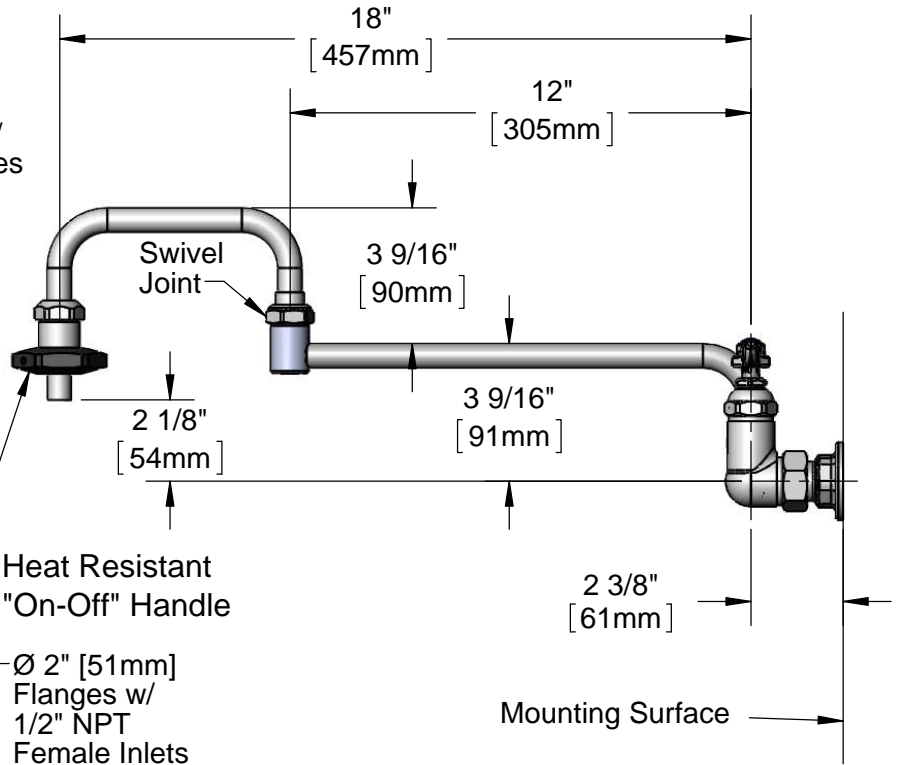


12 7/16"  
[315mm]



Adjustable From  
7 3/4" to 8 1/4"  
[197mm to 210mm]

Eterna Cartridges  
w/ Spring Checks  
& Lever Handles w/  
Color Coded Indexes



Heat Resistant  
"On-Off" Handle

Ø 2" [51mm]  
Flanges w/  
1/2" NPT  
Female Inlets

Mounting Surface

### Product Specifications:

8" Pot Filler Mixing Faucet, Eterna Cartridges w/ Spring Checks, Lever Handles, Single Control w/ 18" Double Joint Swing Nozzle, Heat Resistant Handle & 1/2" NPT Female Inlets

### Product Compliance:

ASME A112.18.1 / CSA B125.1  
NSF 61 - Section 9  
NSF 372 (Low Lead Content)



# T&S BRASS AND BRONZE WORKS, INC.

2 Saddleback Cove / P.O. Box 1088  
Travelers Rest, SC 29690

Model No.

**B-0597**

Item No.

Travelers Rest, SC: 800-476-4103 • Simi Valley, CA: 800-423-0150 • Fax: 864-834-3518 • www.tsbrass.com

ITEM NO.	SALES NO.	DESCRIPTION
1	000936-45	Handle Set Screw
2	000587-25	Spout Body
3	001498-25	Spout
4	001089-45	Seal
5	003426-45	O-Ring
6	002848-40	18" Double Joint Nozzle
7	002870-40	6" Front Section
8	009538-45	Swivel Washer
9	001074-45	O-Ring
10	011429-45	Swivel Sleeves (2)
11	002871-40	12" Back Section
12	001660-45	Blue Index-CW
13	002711-40	Eterna Cartridge, LTC w/ Spring Check, Handle, Index & Screw
14	00AA	1/2" NPT Female Eccentric Flange
15	001019-45	Coupling Nut Washer
16	002712-40	Eterna Cartridge, RTC w/ Spring Check, Handle, Index & Screw
17	001638-45	Lever Handle
18	001661-45	Red Index-HW
19	001126-20	Handle w/ (2) Set Screws
20	035A	Outlet
21	000922-45	Lever Handle Screw
22	012442-40	Eterna Cartridge, LTC w/ Spring Check
23	012443-40	Eterna Cartridge, RTC w/ Spring Check

**Product Specifications:**

8" Pot Filler Mixing Faucet, Eterna Cartridges w/ Spring Checks, Lever Handles, Single Control w/ 18" Double Joint Swing Nozzle, Heat Resistant Handle & 1/2" NPT Female Inlets

**Product Compliance:**

ASME A112.18.1 / CSA B125.1  
NSF 61 - Section 9  
NSF 372 (Low Lead Content)



# T&S BRASS AND BRONZE WORKS, INC.

2 Saddleback Cove / P.O. Box 1088  
Travelers Rest, SC 29690

Model No.

**B-0597-CR**

Item No.

Travelers Rest, SC: 800-476-4103 • Simi Valley, CA: 800-423-0150 • Fax: 864-834-3518 • www.tsbrass.com

This Space for Architect/Engineer Approval

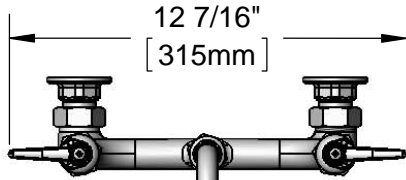
Job Name \_\_\_\_\_ Date \_\_\_\_\_

Model Specified \_\_\_\_\_ Quantity \_\_\_\_\_

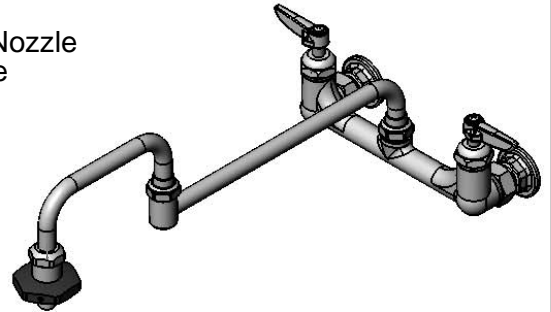
Customer/Wholesaler \_\_\_\_\_

Contractor \_\_\_\_\_

Architect/Engineer \_\_\_\_\_

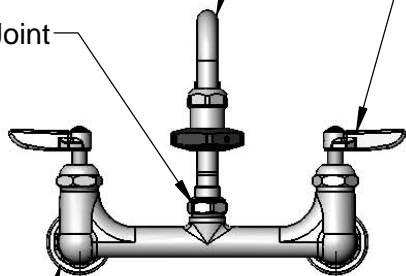


002848-40  
18" Double Joint Swing Nozzle  
w/ Heat Resistant Handle



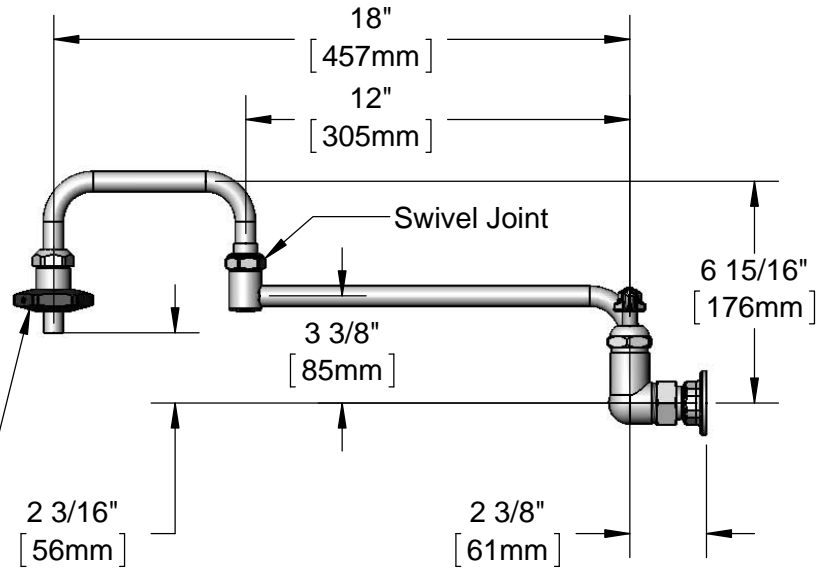
Cerama Cartridges w/  
Check Valves & Lever  
Handles w/ Color Coded  
Indexes

Swing Joint



8" [203mm]  
Adjustable From  
7 3/4" to 8 1/4"  
[197mm to 210mm]

Ø 2" [51mm]  
Flanges w/  
1/2" NPT  
Female Inlets



Heat Resistant  
"On-Off" Handle

**Product Specifications:**

8" Wall Mount Mixing Faucet, Cerama Cartridges w/ Check Valves, Lever Handles, 18" Double Joint Swing Nozzle w/ Heat Resistant Handle & 1/2" NPT Inlet Wall Flanges

Drawn

**DHL**

Checked

**GEF**

Approved

**JHB**

Scale:

**1:6**

Date:

**05/29/12**



# T&S BRASS AND BRONZE WORKS, INC.

2 Saddleback Cove / P.O. Box 1088  
Travelers Rest, SC 29690

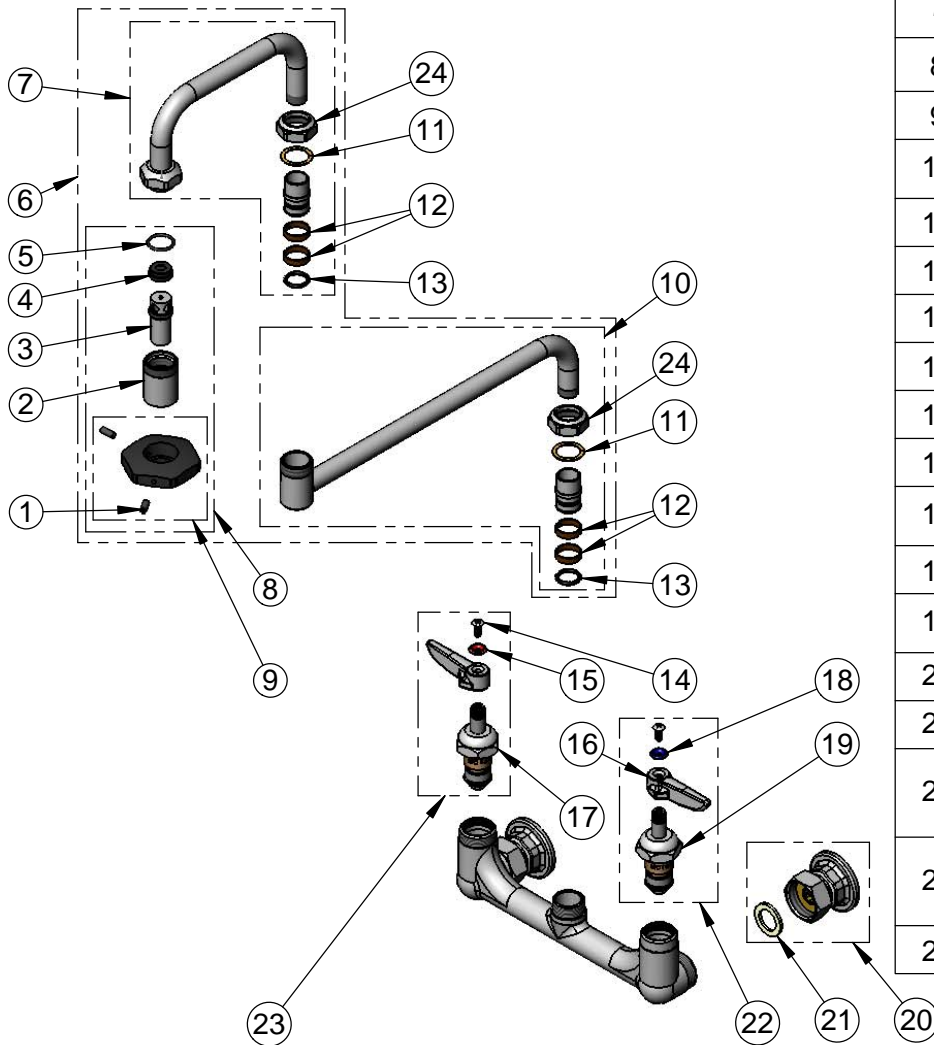
Model No.

**B-0597-CR**

Item No.

Travelers Rest, SC: 800-476-4103 • Simi Valley, CA: 800-423-0150 • Fax: 864-834-3518 • www.tsbrass.com

ITEM NO.	SALES NO.	DESCRIPTION
1	000936-45	Handle Set Screw
2	000587-25	Spout Body
3	001498-25	Spout
4	001089-45	Seal
5	003426-45	O-Ring
6	002848-40	18" Double Joint Swing Nozzle w/ Heat Resistant Handle
7	002870-40	6" Double Joint Swing Nozzle Front Section
8	035A	Black Heat Resistant Handle Outlet
9	001126-20	Handle w/ (2) Set Screws
10	002871-40	12" Double Joint Swing Nozzle Back Section
11	009538-45	Swivel Washer
12	011429-45	Swivel Sleeves (2)
13	001074-45	O-Ring
14	000922-45	Lever Handle Screw
15	001661-45	Red Index-HW
16	001638-45	Lever Handle
17	012394-25	Cerama Cartridge, RTC w/ Check Valve
18	001660-45	Blue Index-CW
19	012395-25	Cerama Cartridge, LTC w/ Check Valve
20	00AA	1/2" NPT Female Flange
21	001019-45	Coupling Nut Washer
22	012447-25	Cerama Cartridge, LTC w/ Check Valve, Lever Handle, Index & Screw
23	012446-25	Cerama Cartridge, RTC w/ Check Valve, Lever Handle, Index & Screw
24	009536-25	Swivel Nut



**Product Specifications:**

8" Wall Mount Mixing Faucet, Cerama Cartridges w/ Check Valves, Lever Handles, 18" Double Joint Swing Nozzle w/ Heat Resistant Handle & 1/2" NPT Inlet Wall Flanges

Drawn <b>DHL</b>	Checked <b>GEF</b>	Approved <b>JHB</b>
Scale: <b>NTS</b>		Date: <b>05/29/12</b>



T&S BRASS AND BRONZE WORKS, INC.

2 SADDLEBACK COVE / P.O. BOX 1088 / TRAVELERS REST, SC 29690

PHONE 800-476-4103

FAX 864-834-3518



REG.#A2601  
ISO #9002

Model No.

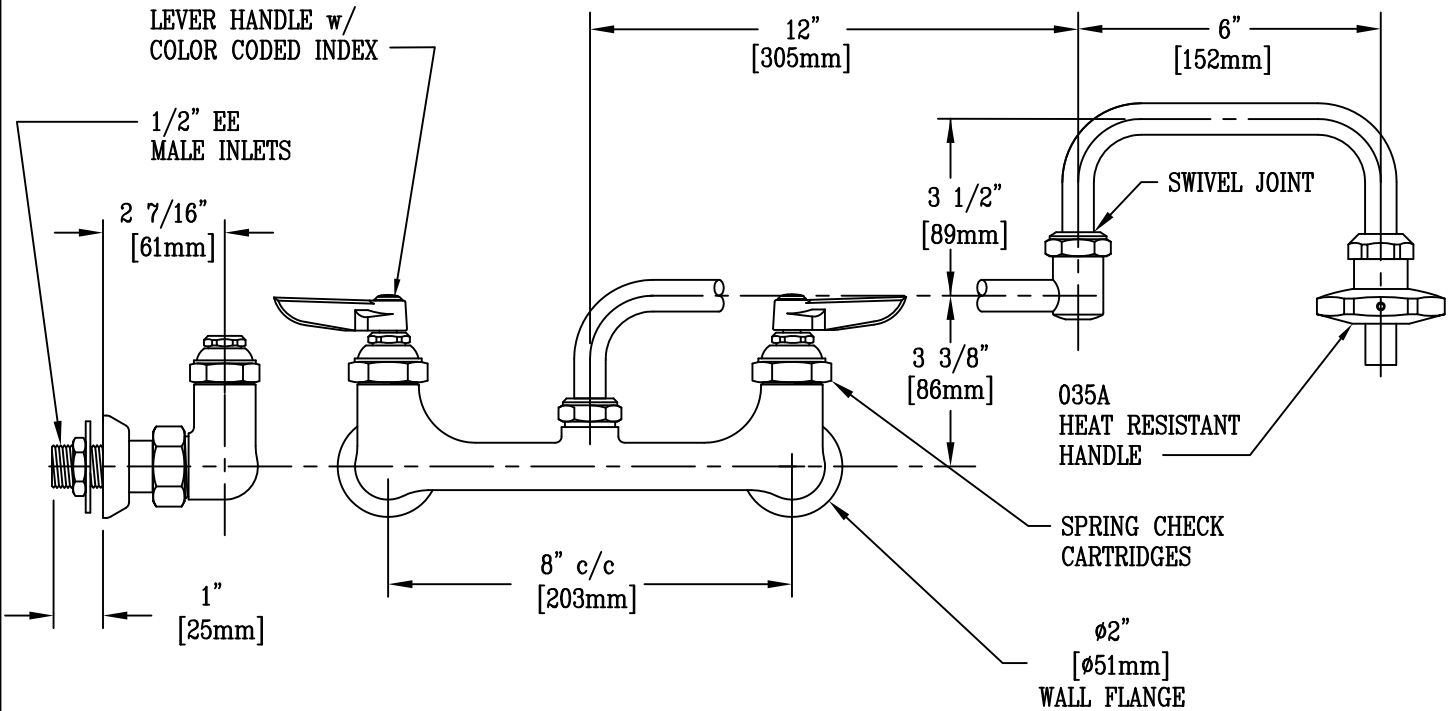
B-0597-EE

Item No.:

Job Name:

Architect/Engineer Approval:

Notes:



Product Description:

POT FILLER MIXING FAUCET w/ 18" DOUBLE SWING  
JOINT NOZZLE, HEAT RESISTANT HANDLE, LEVER HANDLES,  
8" c/c MIXING FAUCET w/ 1/2" NPT MALE "EE" INLETS

Drawn:

DHL

Checked

GEF

Scale:

1 : 4

Approved

JHB

Date:

08/18/11



**T&S BRASS AND BRONZE WORKS, INC.**

2 SADDLEBACK COVE / P.O. BOX 1088 / TRAVELERS REST, SC 29690

PHONE 800-476-4103

FAX 864-834-3518



REG.#A2601  
ISO #9002

Model No.

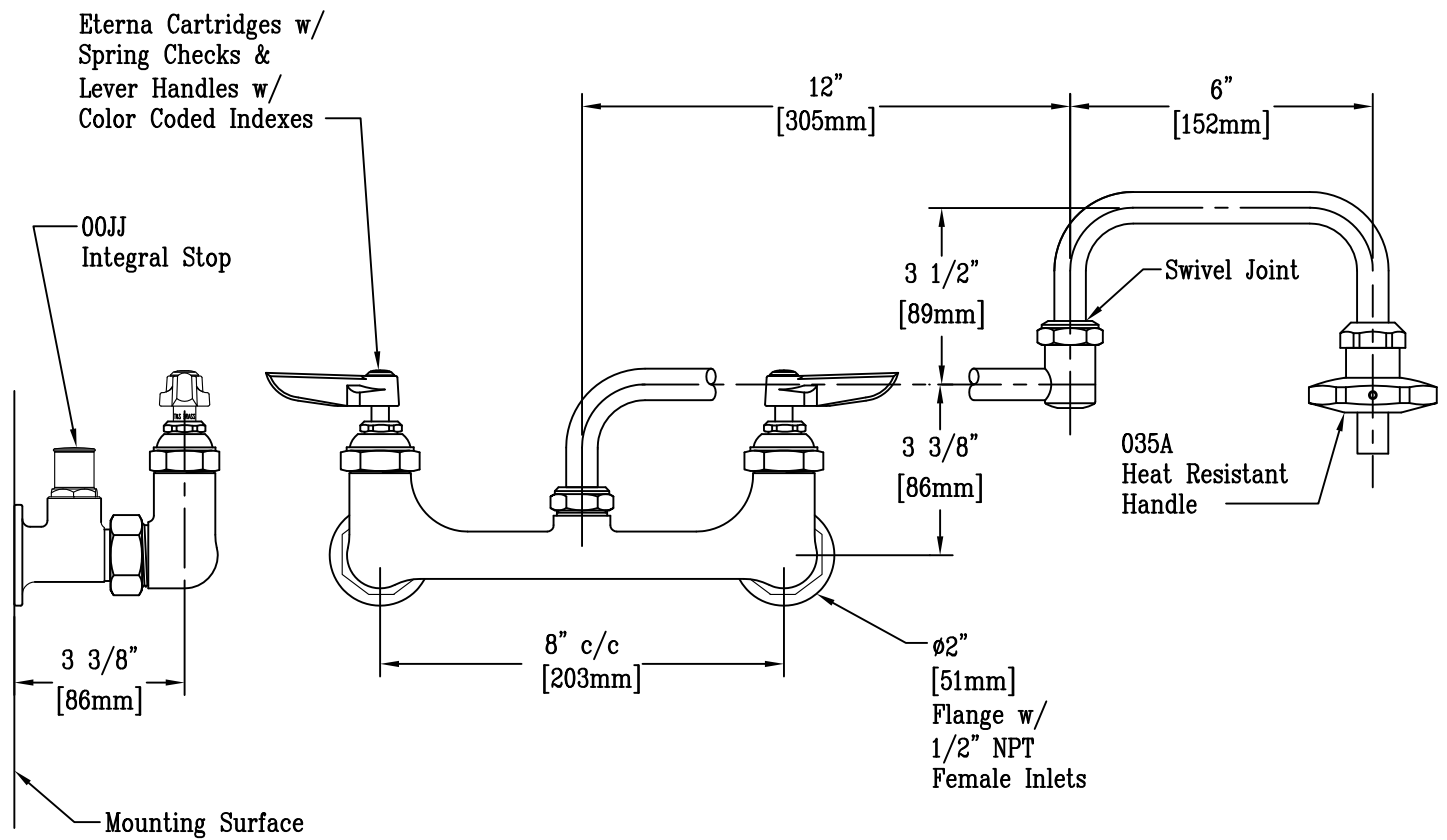
B-0597-JJ

Item No.:

Job Name:

Architect/Engineer Approval:

Notes:



Product Description:  
8" c/c Pot Filler Mixing Faucet w/ 18" Double Joint  
Swing Nozzle, Heat Resistant Handle, Lever Handles,  
& 1/2" NPT Female Inlets

Drawn:  
DHL  
Approved  
JHB

Checked  
GEF

Scale:  
1 : 4  
Date:  
08/18/11



**T&S BRASS AND BRONZE WORKS, INC.**

2 SADDLEBACK COVE / P.O. BOX 1088 / TRAVELERS REST, SC 29690

PHONE 800-476-4103

FAX 864- 834-3518



REG.#A2601  
ISO #9002

Model No.

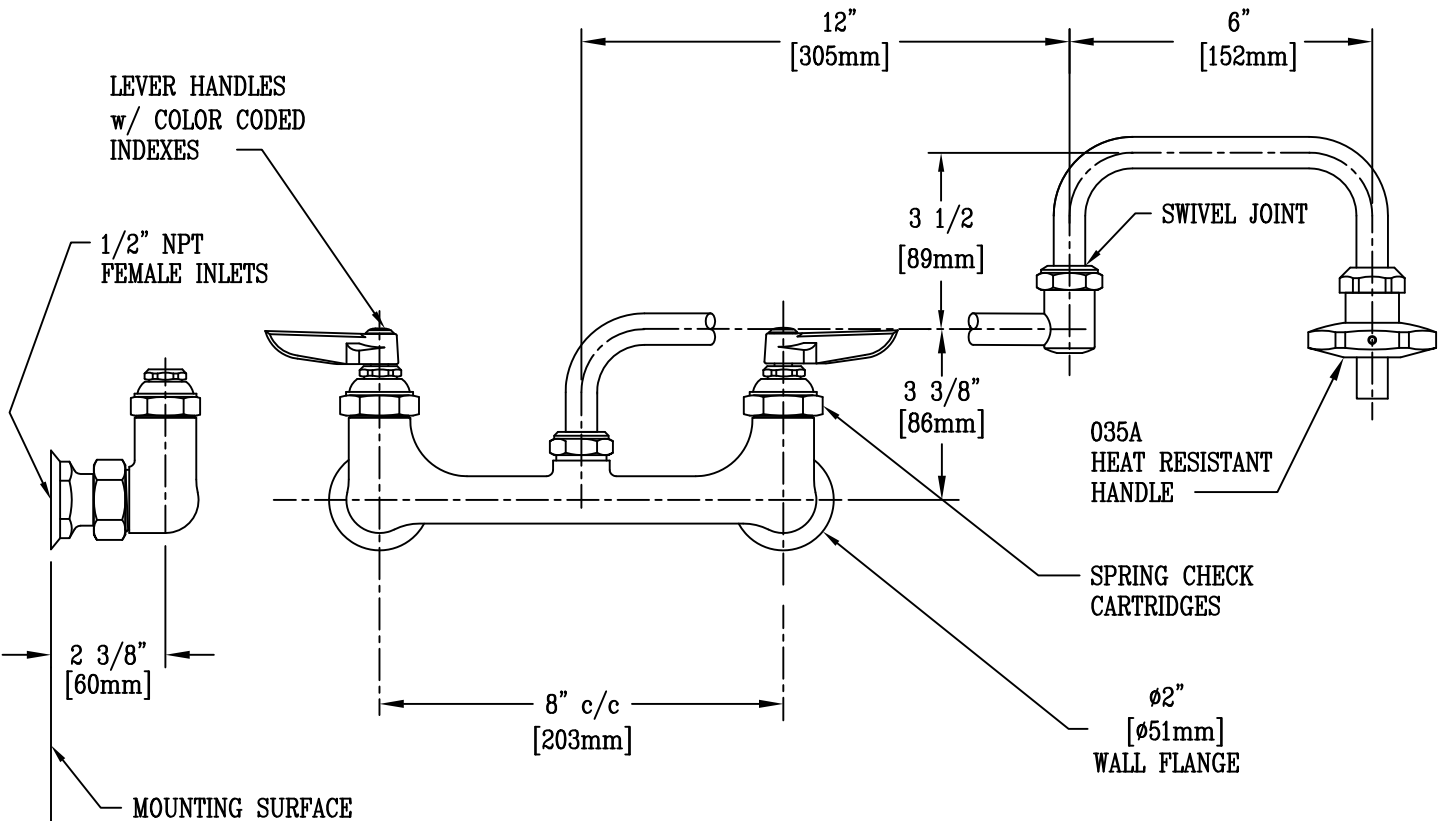
B-0597-LF20

Item No.:

Job Name:

Architect/Engineer Approval:

Notes:



Product Description:  
POT FILLER MIXING FAUCET w/ 18" DOUBLE SWING  
JOINT NOZZLE, HEAT RESISTANT HANDLE, LEVER HANDLES,  
8" c/c INLET CENTERS & 1/2" NPT FEMALE INLETS

Drawn:

DHL

Checked

GEF

Scale:

1 : 4

Approved

JHB

Date:

08/18/11



# T&S BRASS AND BRONZE WORKS, INC.

2 Saddleback Cove / P.O. Box 1088  
Travelers Rest, SC 29690

Model No.

**B-0598**

Item No.

Travelers Rest, SC: 800-476-4103 • Simi Valley, CA: 800-423-0150 • Fax: 864-834-3518 • www.tsbrass.com

This Space for Architect/Engineer Approval

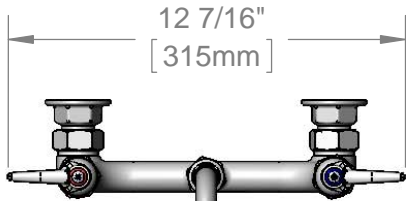
Job Name \_\_\_\_\_ Date \_\_\_\_\_

Model Specified \_\_\_\_\_ Quantity \_\_\_\_\_

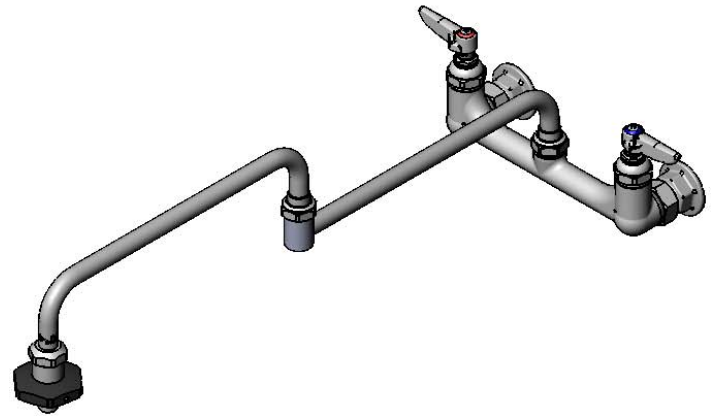
Customer/Wholesaler \_\_\_\_\_

Contractor \_\_\_\_\_

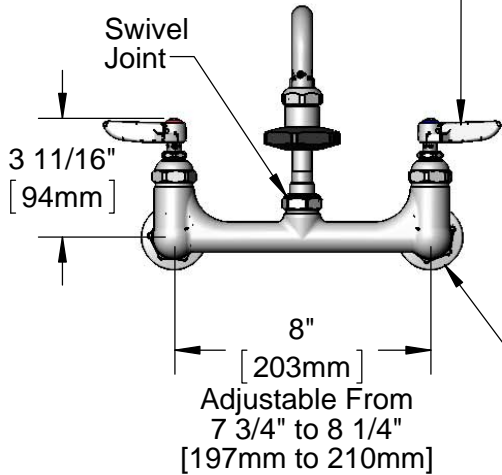
Architect/Engineer \_\_\_\_\_



12 7/16"  
[315mm]



Eterna Cartridges w/  
Spring Checks &  
Lever Handles w/  
Color Coded Indexes

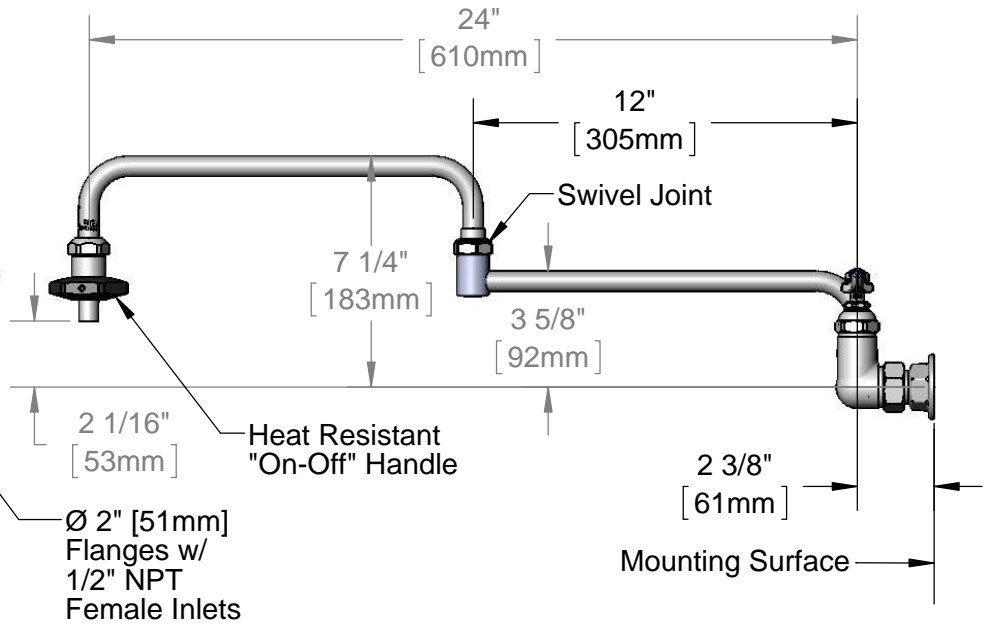


3 11/16"  
[94mm]

Swivel  
Joint

8"  
[203mm]

Adjustable From  
7 3/4" to 8 1/4"  
[197mm to 210mm]



24"  
[610mm]

12"  
[305mm]

Swivel Joint

7 1/4"  
[183mm]

3 5/8"  
[92mm]

2 1/16"  
[53mm]

Heat Resistant  
"On-Off" Handle

Ø 2" [51mm]  
Flanges w/  
1/2" NPT  
Female Inlets

2 3/8"  
[61mm]

Mounting Surface

### Product Specifications:

8" Wall Mount Pot Filler Mixing Faucet, Eterna Cartridges w/ Spring Checks, Lever Handles, 24" Double Joint Swing Nozzle, Heat Resistant Handle & 1/2" NPT Female Inlets

### Product Compliance:

ASME A112.18.1 / CSA B125.1  
NSF 61 - Section 9  
NSF 372 (Low Lead Content)



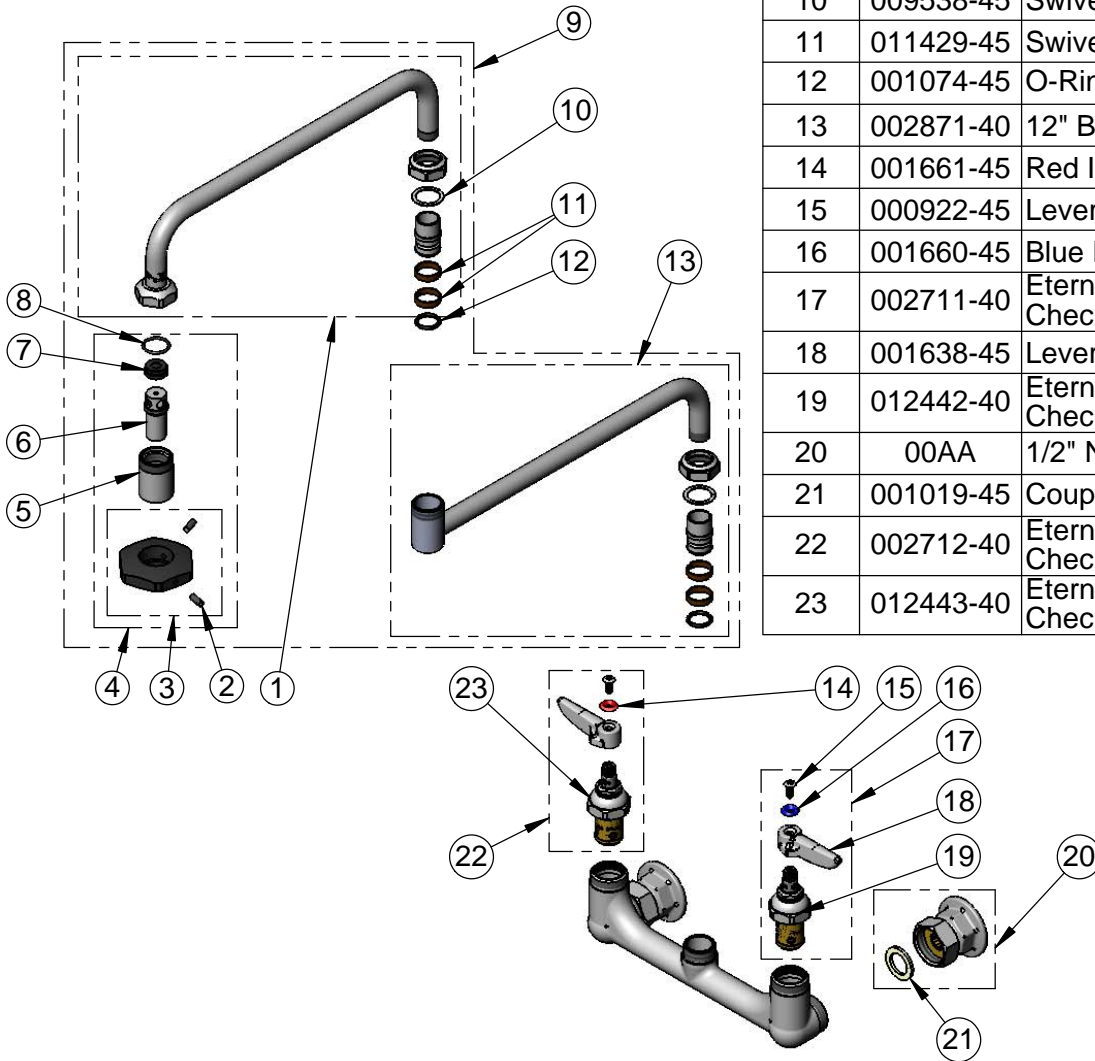


**T&S BRASS AND BRONZE WORKS, INC.**  
 2 Saddleback Cove / P.O. Box 1088  
 Travelers Rest, SC 29690

Model No.  
**B-0598**  
 Item No.

Travelers Rest, SC: 800-476-4103 • Simi Valley, CA: 800-423-0150 • Fax: 864-834-3518 • www.tsbrass.com

ITEM NO.	SALES NO.	DESCRIPTION
1	002869-40	12" Front Section
2	000936-45	Handle Set Screw
3	001126-20	Handle w/ (2) Set Screws
4	035A	Outlet
5	000587-25	Spout Body
6	001498-25	Spout
7	001089-45	Seal
8	003426-45	O-Ring
9	002872-40	24" Double Joint Nozzle
10	009538-45	Swivel Washer
11	011429-45	Swivel Sleeves (2)
12	001074-45	O-Ring
13	002871-40	12" Back Section
14	001661-45	Red Index-HW
15	000922-45	Lever Handle Screw
16	001660-45	Blue Index-CW
17	002711-40	Eterna Cartridge, LTC w/ Spring Check, Handle, Index & Screw
18	001638-45	Lever Handle
19	012442-40	Eterna Cartridge, LTC w/ Spring Check
20	00AA	1/2" NPT Female Eccentric Flange
21	001019-45	Coupling Nut Washer
22	002712-40	Eterna Cartridge, RTC w/ Spring Check, Handle, Index & Screw
23	012443-40	Eterna Cartridge, RTC w/ Spring Check



**Product Specifications:**

8" Wall Mount Pot Filler Mixing Faucet, Eterna Cartridges w/ Spring Checks, Lever Handles, 24" Double Joint Swing Nozzle, Heat Resistant Handle & 1/2" NPT Female Inlets

**Product Compliance:**

ASME A112.18.1 / CSA B125.1  
 NSF 61 - Section 9  
 NSF 372 (Low Lead Content)