



T&S BRASS AND BRONZE WORKS, INC.

2 Saddleback Cove / P.O. Box 1088
Travelers Rest, SC 29690

Model No.

B-0592

Item No.

Travelers Rest, SC: 800-476-4103 • Simi Valley, CA: 800-423-0150 • Fax: 864-834-3518 • www.tsbrass.com

This Space for Architect/Engineer Approval

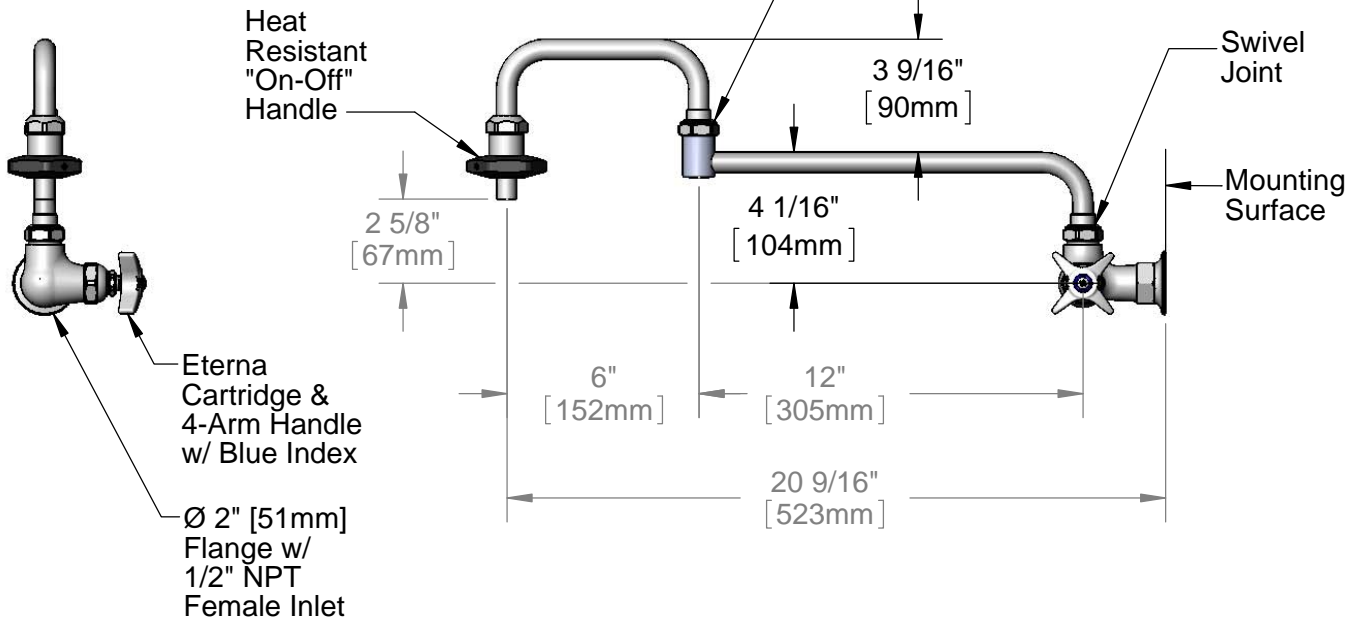
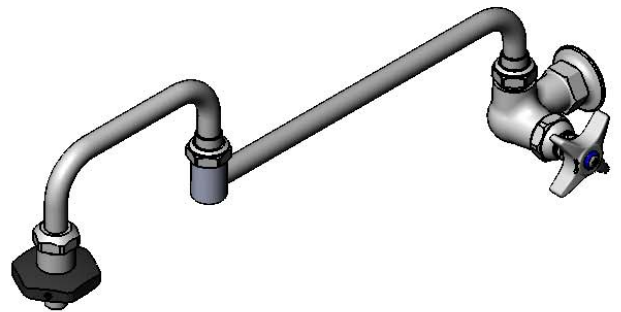
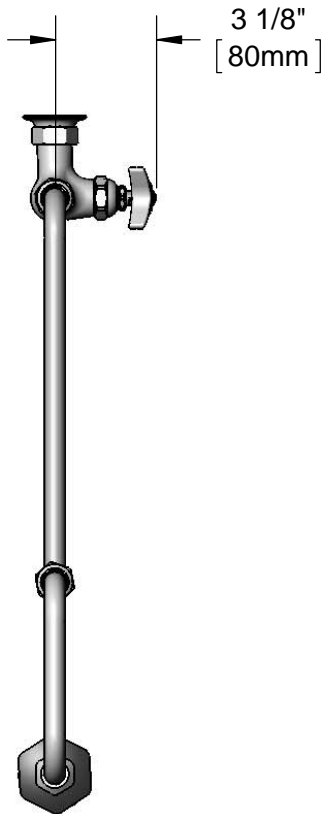
Job Name _____ Date _____

Model Specified _____ Quantity _____

Customer/Wholesaler _____

Contractor _____

Architect/Engineer _____



Product Specifications:

Pot Filler Wall Mount Faucet, Eterna Cartridge, 4-Arm Handle, Single Control w/ 18" Double Joint Swing Nozzle, Heat Resistant Handle & 1/2" NPT Female Inlet

Product Compliance:

ASME A112.18.1 / CSA B125.1
NSF 61 - Section 9
NSF 372 (Low Lead Content)



T&S BRASS AND BRONZE WORKS, INC.

2 Saddleback Cove / P.O. Box 1088
Travelers Rest, SC 29690

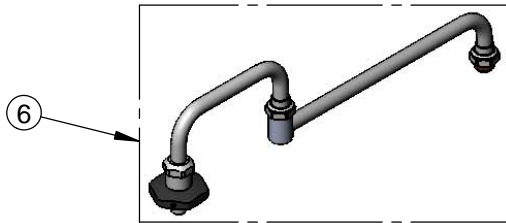
Model No.

B-0592

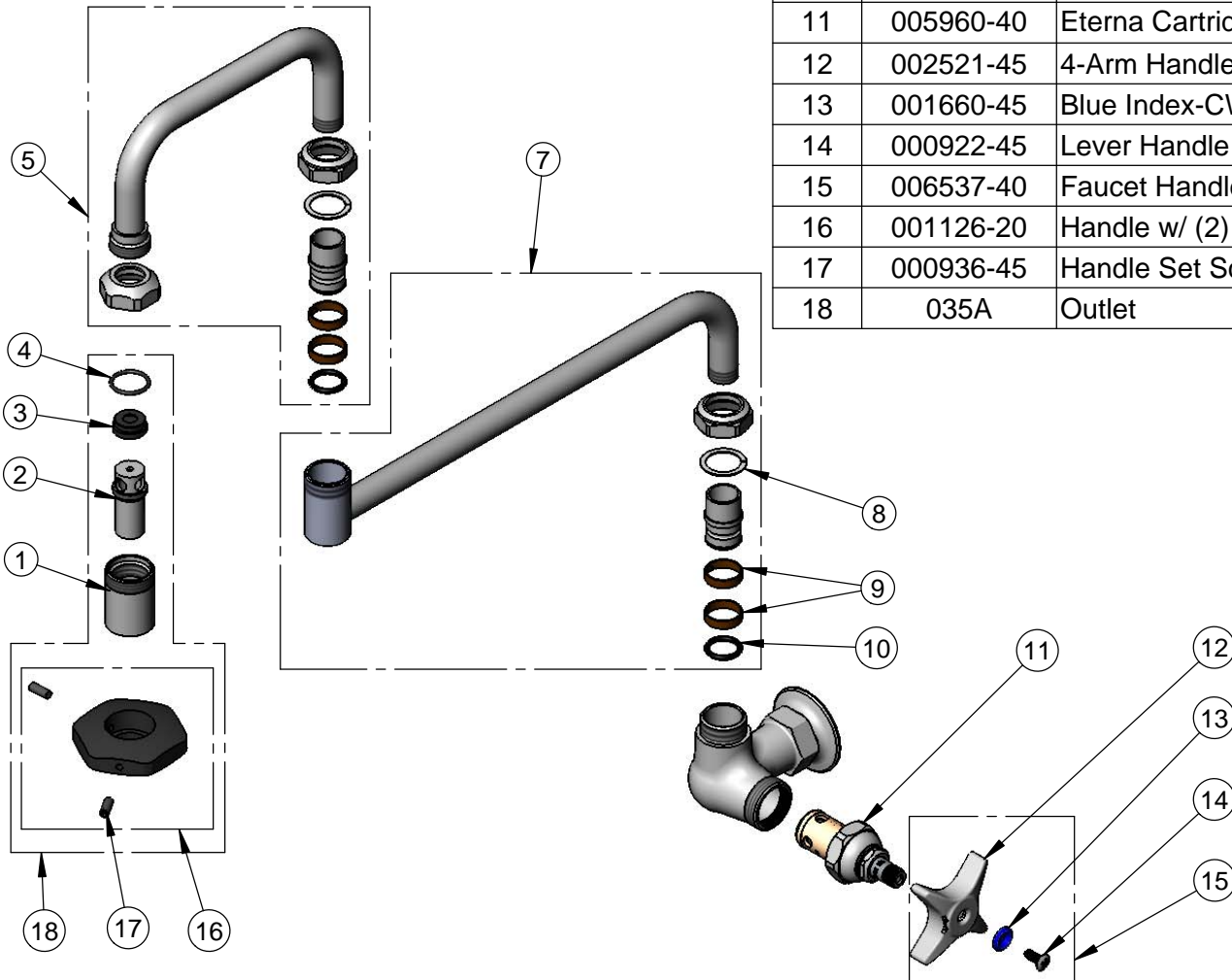
Item No.

Travelers Rest, SC: 800-476-4103 • Simi Valley, CA: 800-423-0150 • Fax: 864-834-3518 • www.tsbrass.com

ITEM NO.	SALES NO.	DESCRIPTION
1	000587-25	Spout Body
2	001498-25	Spout
3	001089-45	Seal
4	003426-45	O-Ring
5	002870-40	6" Front Section
6	002848-40	18" Double Joint Nozzle
7	002871-40	12" Back Section
8	009538-45	Swivel Washer
9	011429-45	Swivel Sleeves (2)
10	001074-45	O-Ring
11	005960-40	Eterna Cartridge, RTC
12	002521-45	4-Arm Handle
13	001660-45	Blue Index-CW
14	000922-45	Lever Handle Screw
15	006537-40	Faucet Handle, Index & Screw
16	001126-20	Handle w/ (2) Set Screws
17	000936-45	Handle Set Screw
18	035A	Outlet



Additional View for Bill of Material Clarification w/o Faucet



Product Specifications:

Pot Filler Wall Mount Faucet, Eterna Cartridge, 4-Arm Handle, Single Control w/ 18" Double Joint Swing Nozzle, Heat Resistant Handle & 1/2" NPT Female Inlet

Product Compliance:

ASME A112.18.1 / CSA B125.1
NSF 61 - Section 9
NSF 372 (Low Lead Content)



T&S BRASS AND BRONZE WORKS, INC.
 2 Saddleback Cove / P.O. Box 1088
 Travelers Rest, SC 29690



REG. #A2601
 ISO #9001

Model No.
B-0592-CR

Item No.

Travelers Rest, SC: 800-476-4136 | San Jose Valley, CA: 800-423-0150 | Fax: 864-834-3518 | www.tsbrass.com

This Space for Architect/Engineer Approval

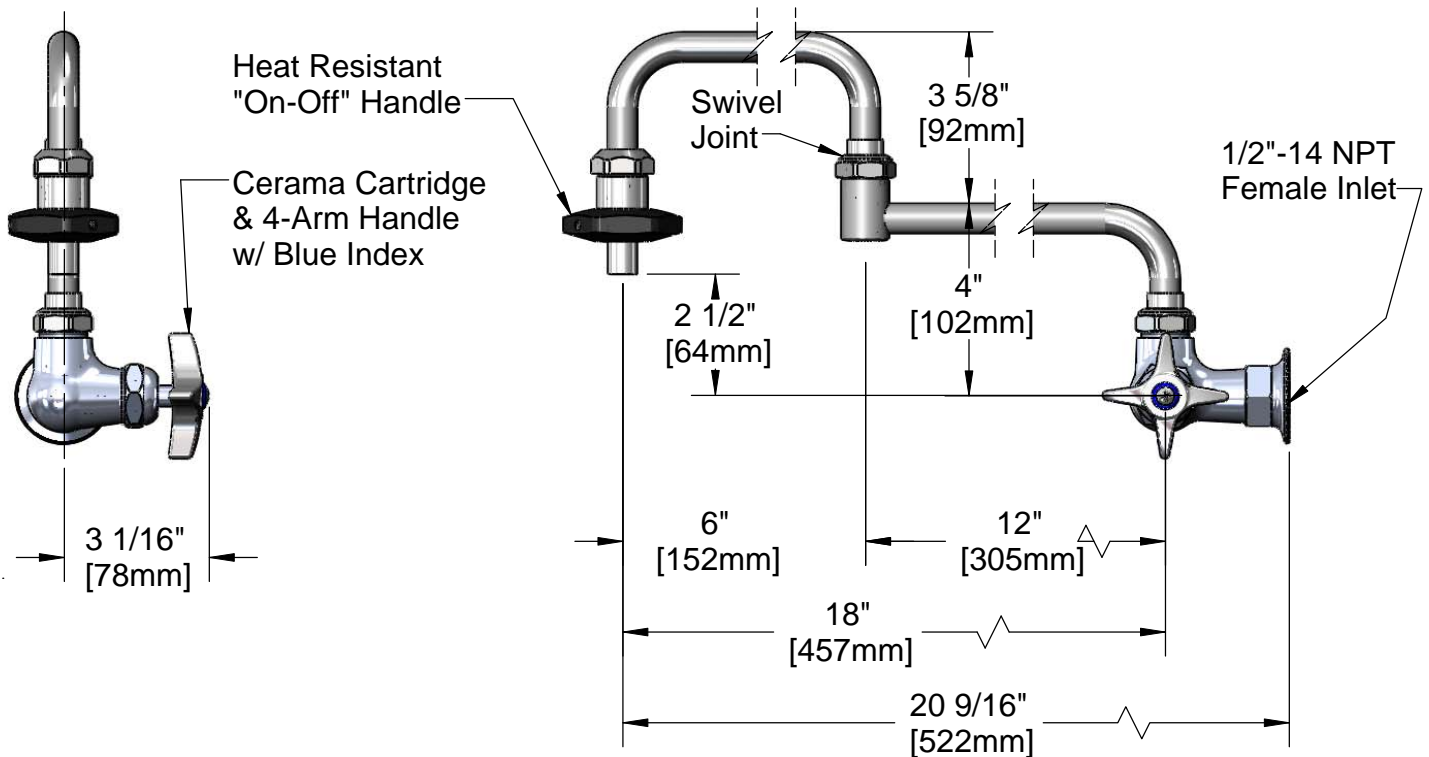
Job Name _____ Date _____

Model Specified _____ Quantity _____

Customer/Wholesaler _____

Contractor _____

Architect/Engineer _____



Product Specifications:

Pot Filler Wall Mount Faucet, Single Control w/ 18" Double Swing Joint Nozzle, Heat Resistant Handle, Cerama Cartridge, 4-Arm Handle & 1/2" NPT Female Inlet

Drawn KJG	Checked JRM	Approved JHB
Scale: 1:4		Date: 09/16/10



T&S BRASS AND BRONZE WORKS, INC.

2 Saddleback Cove / P.O. Box 1088
Travelers Rest, SC 29690



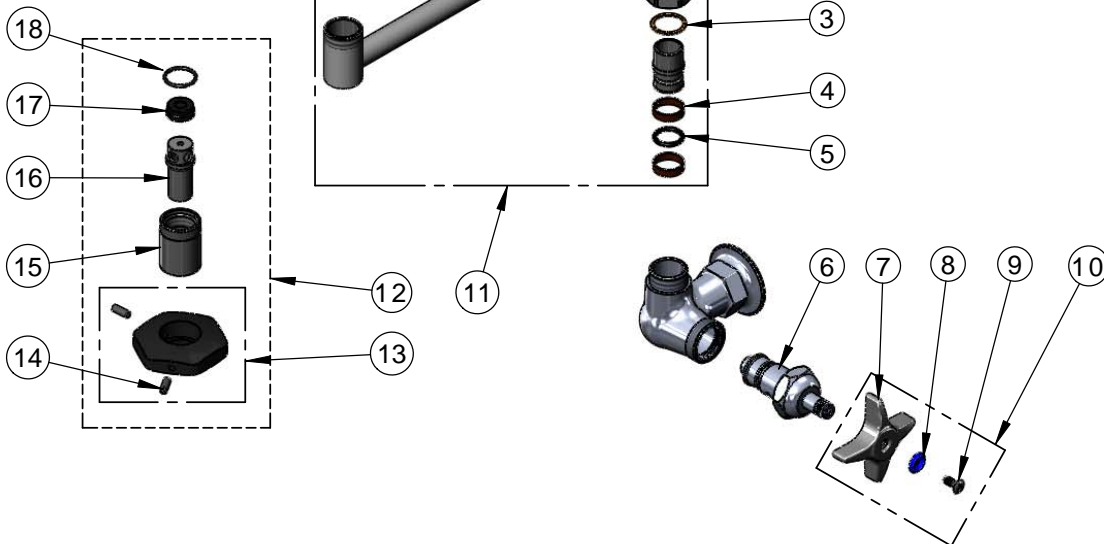
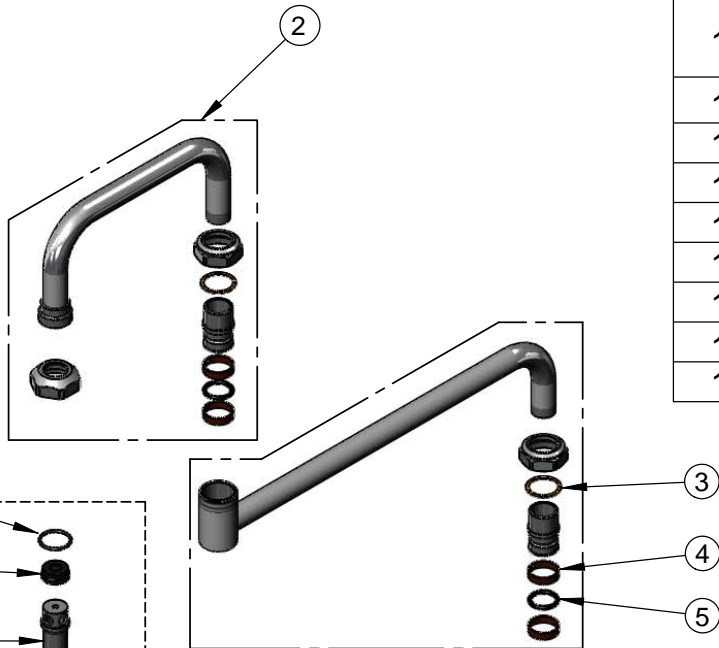
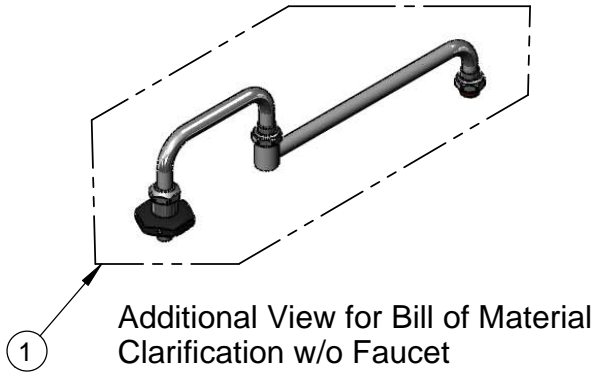
REG. #A2601
ISO #9001

Model No.

B-0592-CR

Item No.

Travelers Rest, SC: 800-476-4103 Simi Valley, CA: 800-423-0150 Fax: 864-834-3518 www.tsbrass.com



ITEM NO.	SALES NO.	DESCRIPTION
1	002848-40	B-0580 Double Joint Nozzle Asm
2	002870-40	6" Front Nozzle Asm
3	009538-45	Swivel Washer
4	011429-45	Swivel Sleeve (2)
5	001074-45	O-Ring
6	011278-25	Cerama Cartridge RTC
7	002521-45	4-Arm Handle
8	001660-45	Blue Index-CW
9	000922-45	Lever Handle Screw
10	006537-40	Handle w/ Blue Index & Screw
11	002871-40	12" Back Nozzle Asm
12	035A	Outlet Assembly
13	001126-20	B-0580 Black Handle
14	000936-45	Handle Set Screw
15	000587-25	Spout Body
16	001498-25	Spout
17	001089-45	Seal
18	003426-45	O-Ring

Product Specifications:

Pot Filler Wall Mount Faucet, Single Control w/ 18" Double Swing Joint Nozzle, Heat Resistant Handle, Cerama Cartridge, 4-Arm Handle & 1/2" NPT Female Inlet

Drawn KJG	Checked JRM	Approved JHB
Scale: NTS		Date: 09/16/10



T&S BRASS AND BRONZE WORKS, INC.
 2 SADDLEBACK COVE / P.O. BOX 1088 / TRAVELERS REST, SC 29690
 PHONE 800-476-4103 FAX 864-834-3518



Model No.

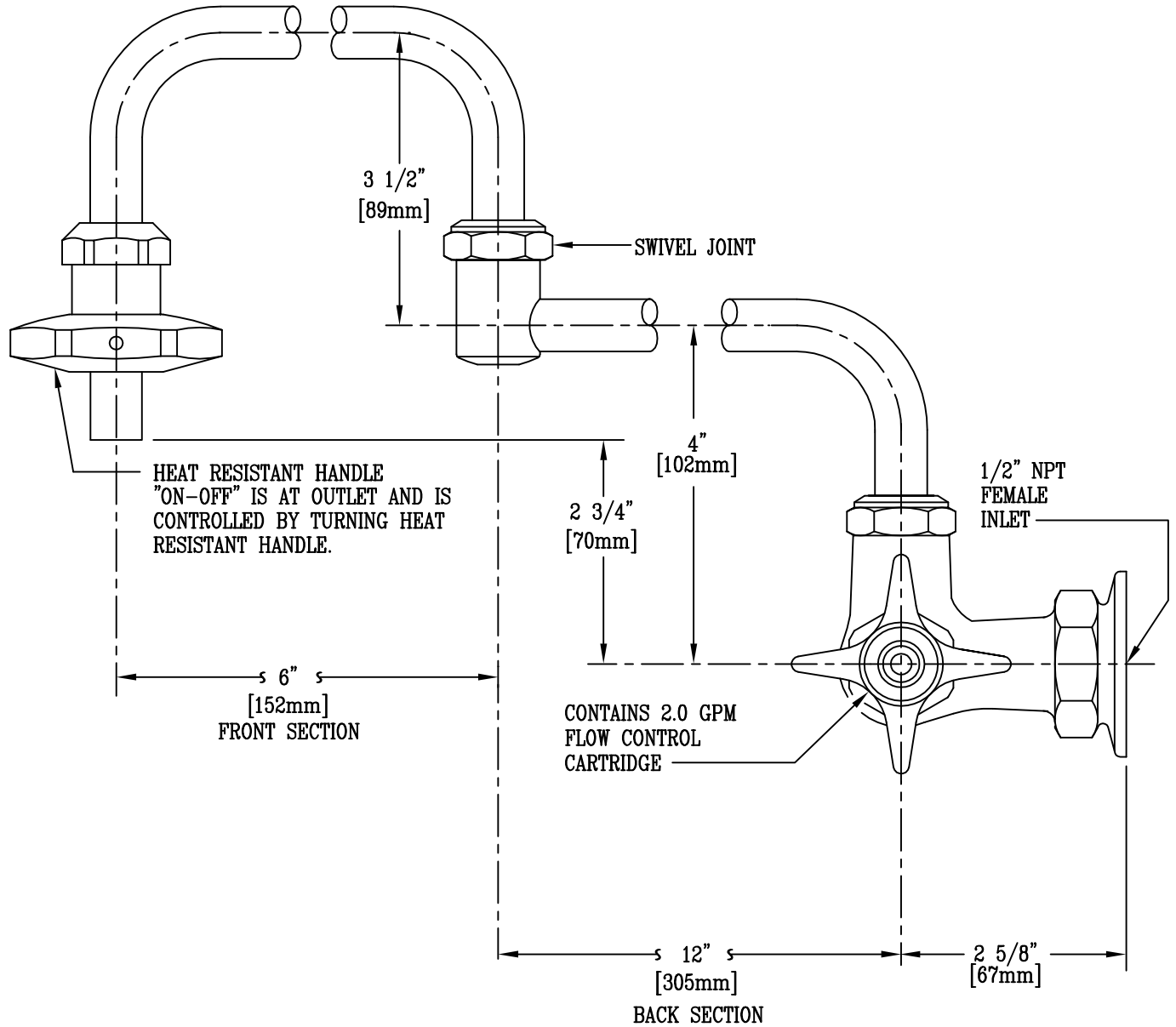
B-0592-LF20

Item No.:

Job Name:

Architect/Engineer Approval:

Notes:



Product Description:
 FAUCET POT FILLER WITH 18" DOUBLE SWING JOINT NOZZLE, HEAT RESISTANT HANDLE, & 2.0 GPM FLOW CONTROL CARTRIDGE

Drawn:

WJS

Checked:

JRM

Scale:

1:2

Approved:

JHB

Date:

02/03/06



T&S BRASS AND BRONZE WORKS, INC.
 2 Saddleback Cove / P.O. Box 1088
 Travelers Rest, SC 29690

Model No.
B-0594

Item No.

Travelers Rest, SC: 800-476-4103 • Simi Valley, CA: 800-423-0150 • Fax: 864-834-3518 • www.tsbrass.com

This Space for Architect/Engineer Approval

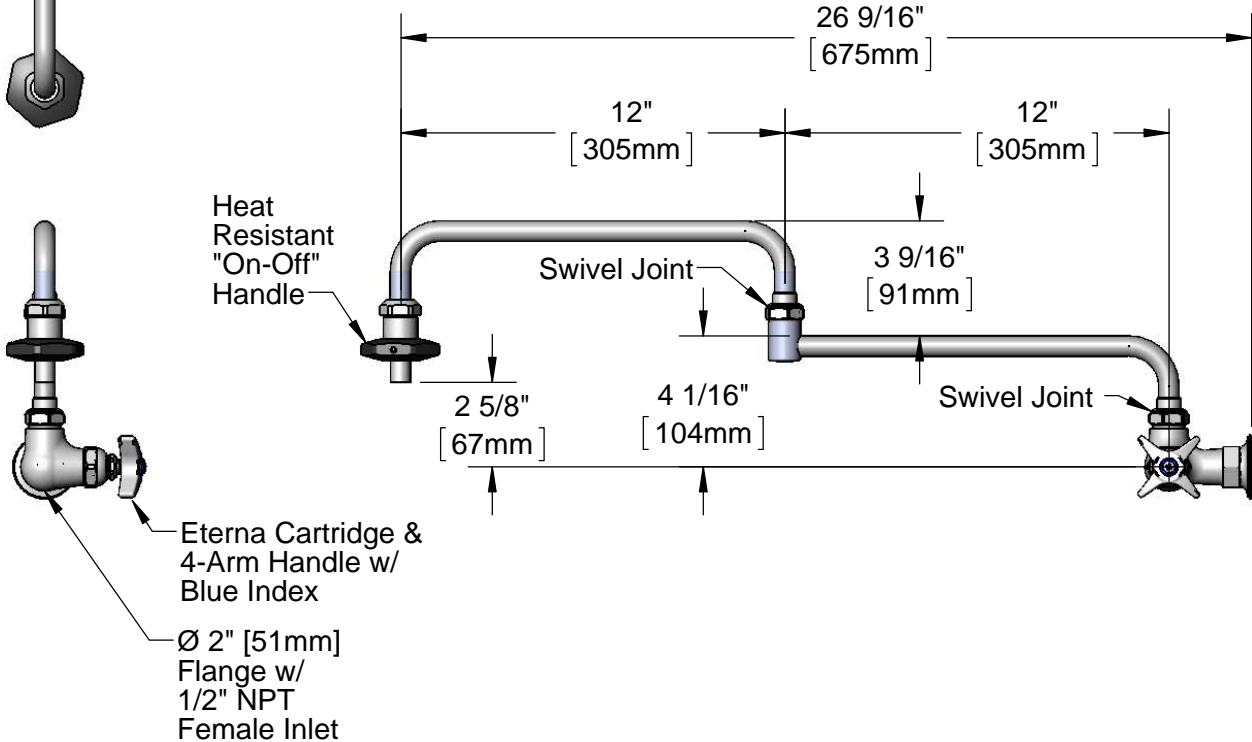
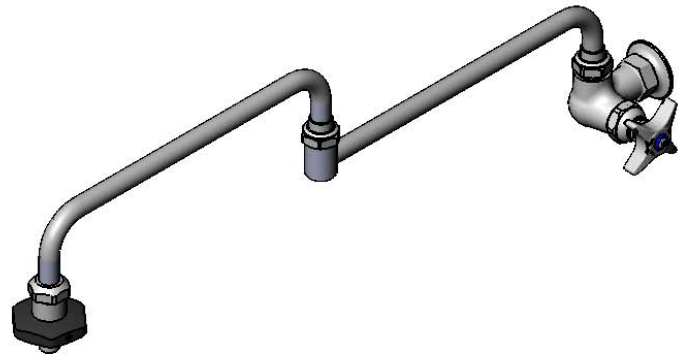
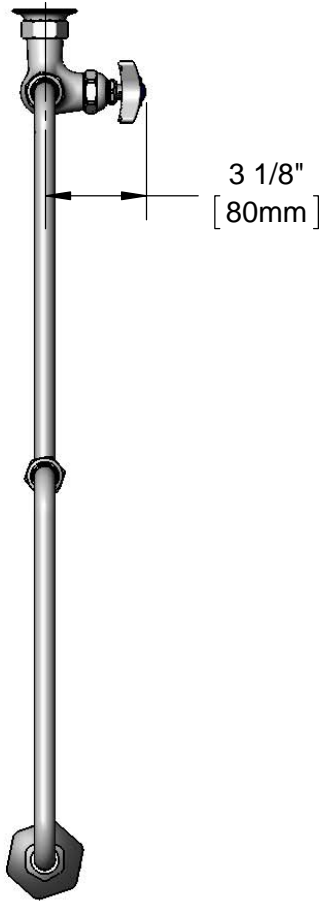
Job Name _____ Date _____

Model Specified _____ Quantity _____

Customer/Wholesaler _____

Contractor _____

Architect/Engineer _____



Eterna Cartridge &
 4-Arm Handle w/
 Blue Index
 Ø 2" [51mm]
 Flange w/
 1/2" NPT
 Female Inlet

Product Specifications:
Pot Filler Faucet w/ 4-Arm Handle, Double Joint Swing Nozzle, Heat Resistant Handle & 1/2" NPT Female Inlet

Product Compliance:
 ASME A112.18.1 / CSA B125.1
 NSF 61 - Section 9
 NSF 372 (Low Lead Content)



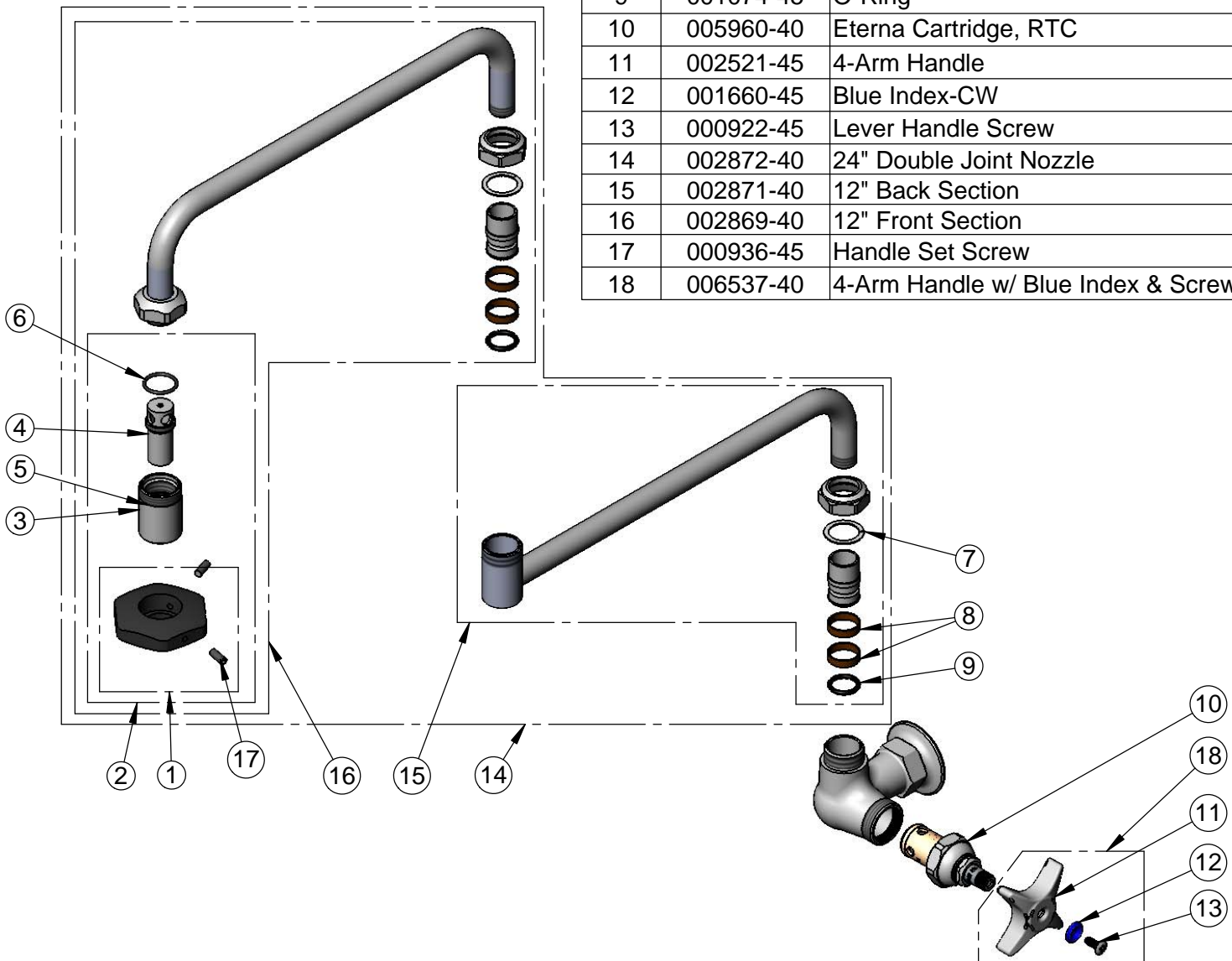
T&S BRASS AND BRONZE WORKS, INC.
 2 Saddleback Cove / P.O. Box 1088
 Travelers Rest, SC 29690

Model No.
B-0594

Item No.

Travelers Rest, SC: 800-476-4103 • Simi Valley, CA: 800-423-0150 • Fax: 864-834-3518 • www.tsbrass.com

ITEM NO.	SALES NO.	DESCRIPTION
1	001126-20	Handle w/ (2) Set Screws
2	035A	Outlet
3	000587-25	Spout Body
4	001498-25	Spout
5	001089-45	Seal
6	003426-45	O-Ring
7	009538-45	Swivel Washer
8	011429-45	Swivel Sleeves (2)
9	001074-45	O-Ring
10	005960-40	Eterna Cartridge, RTC
11	002521-45	4-Arm Handle
12	001660-45	Blue Index-CW
13	000922-45	Lever Handle Screw
14	002872-40	24" Double Joint Nozzle
15	002871-40	12" Back Section
16	002869-40	12" Front Section
17	000936-45	Handle Set Screw
18	006537-40	4-Arm Handle w/ Blue Index & Screw



Product Specifications:
 Pot Filler Faucet w/ 4-Arm Handle, Double Joint Swing Nozzle, Heat Resistant Handle & 1/2" NPT Female Inlet

Product Compliance:
 ASME A112.18.1 / CSA B125.1
 NSF 61 - Section 9
 NSF 372 (Low Lead Content)