



T&S BRASS AND BRONZE WORKS, INC.

2 Saddleback Cove / P.O. Box 1088
Travelers Rest, SC 29690

Model No.

B-0590

Item No.

Travelers Rest, SC: 800-476-4103 • Simi Valley, CA: 800-423-0150 • Fax: 864-834-3518 • www.tsbrass.com

This Space for Architect/Engineer Approval

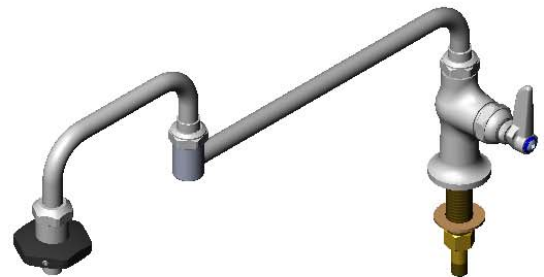
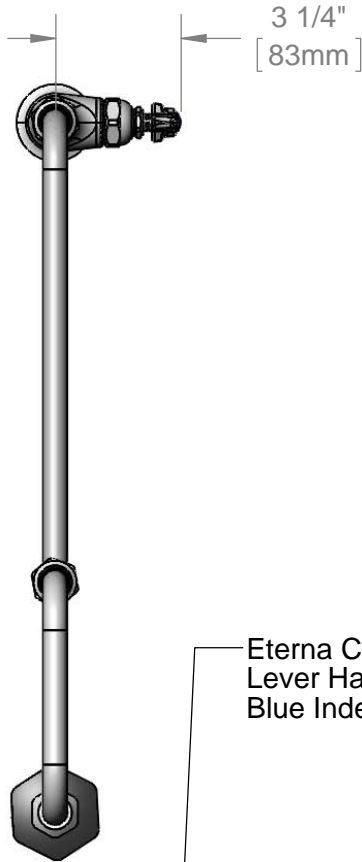
Job Name _____ Date _____

Model Specified _____ Quantity _____

Customer/Wholesaler _____

Contractor _____

Architect/Engineer _____



Eterna Cartridge & Lever Handle w/ Blue Index

18"
[457mm]

12"
[305mm]

Swivel Joint

10 1/4"
[261mm]

Swivel Joint

Ø 2" [51mm]
Flange

5 1/4"
[134mm]

Heat Resistant
"On-Off" Handle

6 3/4"
[171mm]

1/2" NPSM
Male Inlet

2 7/16"
[62mm]

Mounting Surface

1 5/8"
[41mm]
Maximum
Thickness

150A
Optional Tailpiece & Nut
For 1/4" NPT Connection
(Included)

Rough-In Requirement
Ø 1" [25mm] Mounting Hole

Product Specifications:

Single Hole Deck Mount Pot Filler Faucet w/ 18" Double Joint Swing Nozzle, Heat Resistant Handle, Eterna Cartridge, Lever Handle, & 1/2" NPT Male Inlet

Product Compliance:

ASME A112.18.1 / CSA B125.1
NSF 61 - Section 9
NSF 372 (Low Lead Content)



T&S BRASS AND BRONZE WORKS, INC.

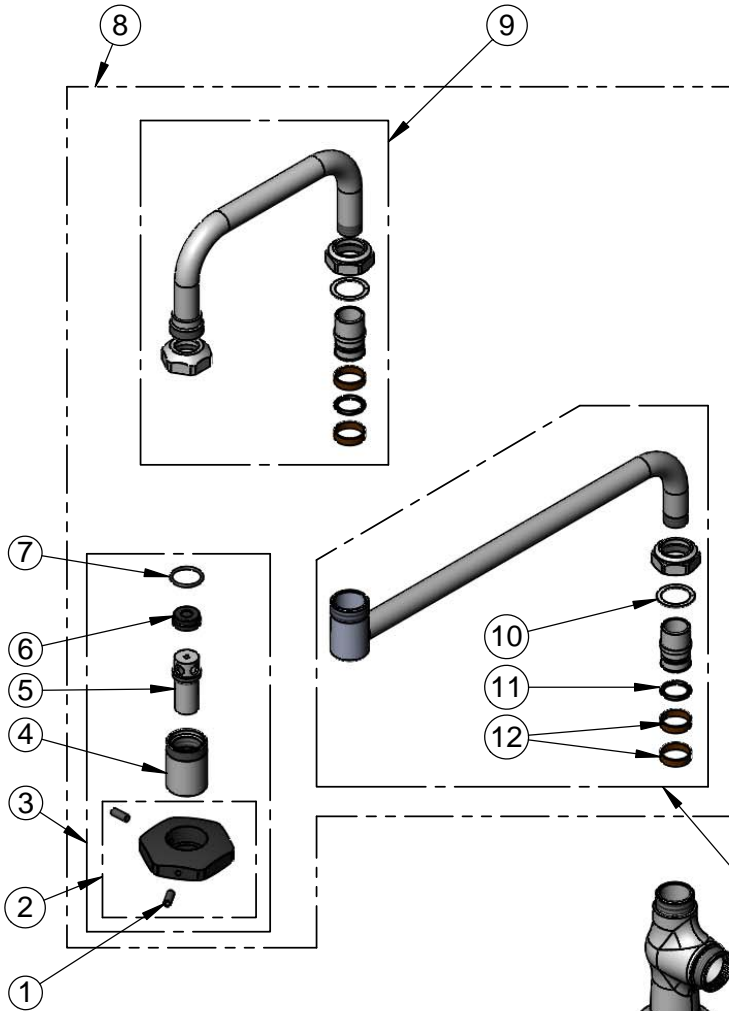
2 Saddleback Cove / P.O. Box 1088
Travelers Rest, SC 29690

Model No.

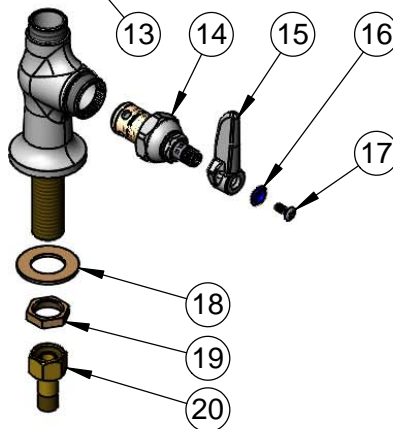
B-0590

Item No.

Travelers Rest, SC: 800-476-4103 • Simi Valley, CA: 800-423-0150 • Fax: 864-834-3518 • www.tsbrass.com



ITEM NO.	SALES NO.	DESCRIPTION
1	000936-45	Handle Set Screw
2	001126-20	Handle w/ (2) Set Screws
3	035A	Outlet
4	000587-25	Spout Body
5	001498-25	Spout
6	001089-45	Seal
7	003426-45	O-Ring
8	002848-40	18" Double Joint Nozzle
9	002870-40	6" Front Section
10	009538-45	Swivel Washer
11	001074-45	O-Ring
12	011429-45	Swivel Sleeves (2)
13	002871-40	12" Back Section
14	005960-40	Eterna Cartridge, RTC
15	001638-45	Lever Handle
16	001660-45	Blue Index-CW
17	000922-45	Lever Handle Screw
18	000999-45	Brass Lock Washer
19	002954-45	Shank Lock Nut
20	150A	1/4" NPT Tailpiece & Nut



Product Specifications:

Single Hole Deck Mount Pot Filler Faucet w/ 18" Double Joint Swing Nozzle, Heat Resistant Handle, Eterna Cartridge, Lever Handle, & 1/2" NPT Male Inlet

Product Compliance:

ASME A112.18.1 / CSA B125.1
NSF 61 - Section 9
NSF 372 (Low Lead Content)



T&S BRASS AND BRONZE WORKS, INC.
 2 SADDLEBACK COVE / P.O. BOX 1088 / TRAVELERS REST, SC 29690
 PHONE 800-476-4103 - FAX 864- 834-3518



Model No.

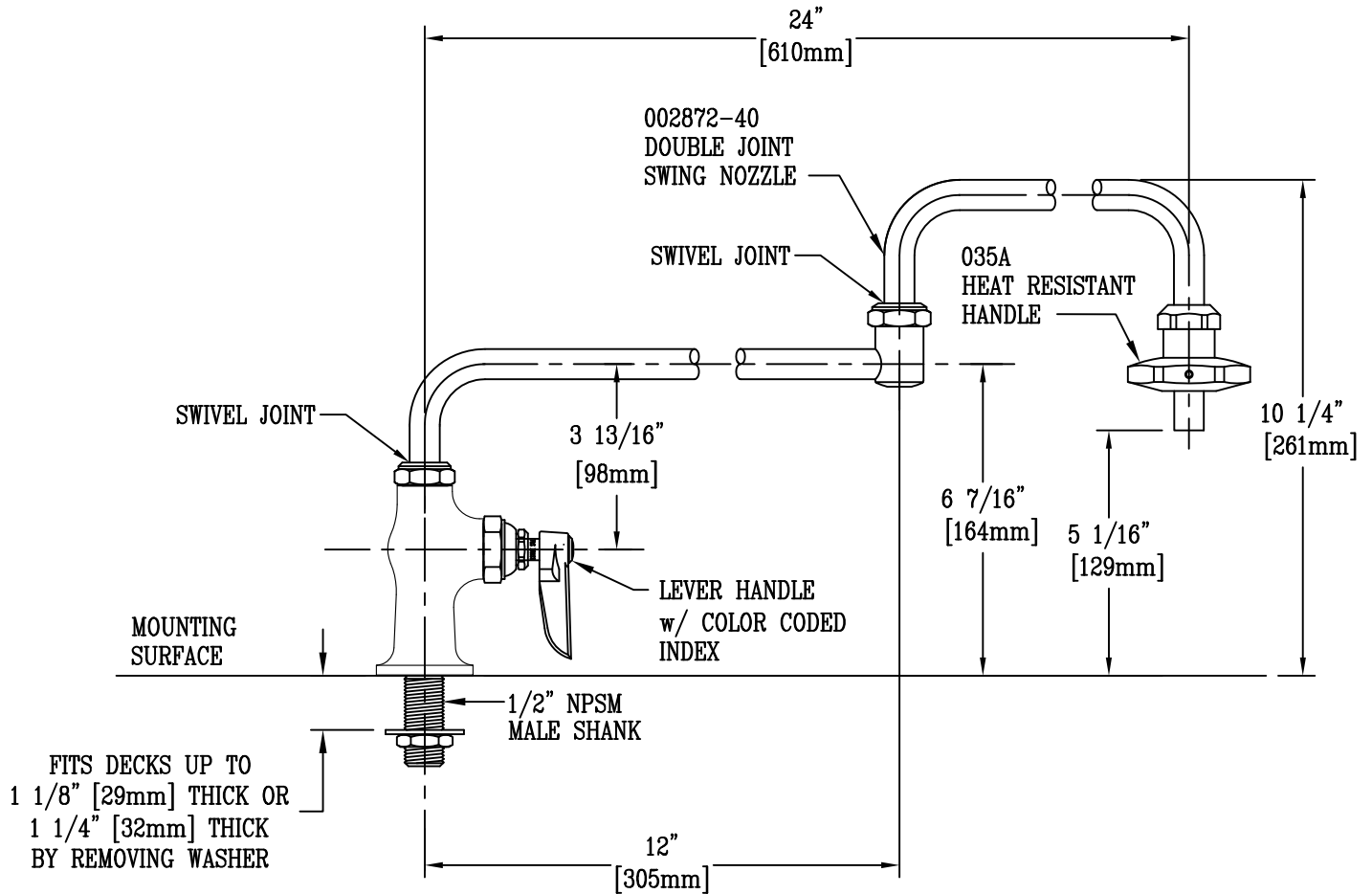
B-0591

**RELIABILITY
BUILT IN**

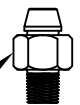
Job Name:

Architect/Engineer Approval:

Notes:



150A TAILPIECE AND NUT FURNISHED FOR 1/4" NPT CONNECTION



NOTE: ROUGH-IN REQUIREMENT
 (1) Ø 1" [25mm] MOUNTING HOLE

Product Description:
 POT FILLER FAUCET w/ 1/2" NPSM MALE INLET SHANK AND 24" DOUBLE JOINT SWING NOZZLE

Drawn: DHL	Checked GEF	Scale: 1:4
Approved JHB	Date: 08/18/11	