



T&S BRASS AND BRONZE WORKS, INC.

2 Saddleback Cove / P.O. Box 1088
Travelers Rest, SC 29690

Model No.

B-0507

Item No.

Travelers Rest, SC: 800-476-4103 • Simi Valley, CA: 800-423-0150 • Fax: 864-834-3518 • www.tsbrass.com

This Space for Architect/Engineer Approval

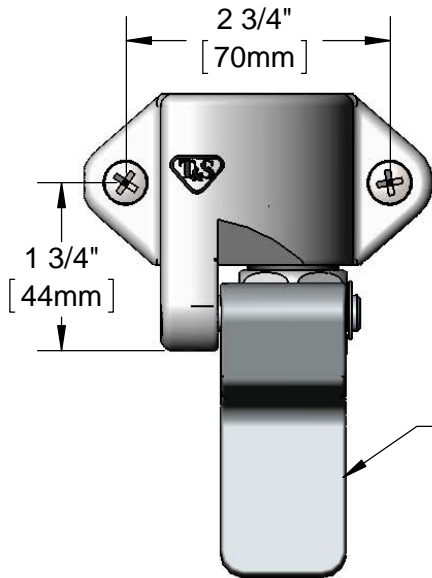
Job Name _____ Date _____

Model Specified _____ Quantity _____

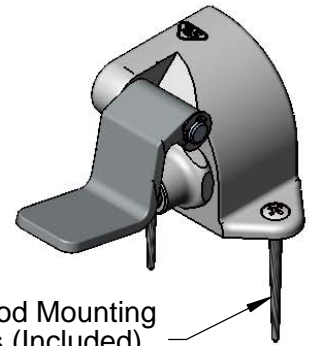
Customer/Wholesaler _____

Contractor _____

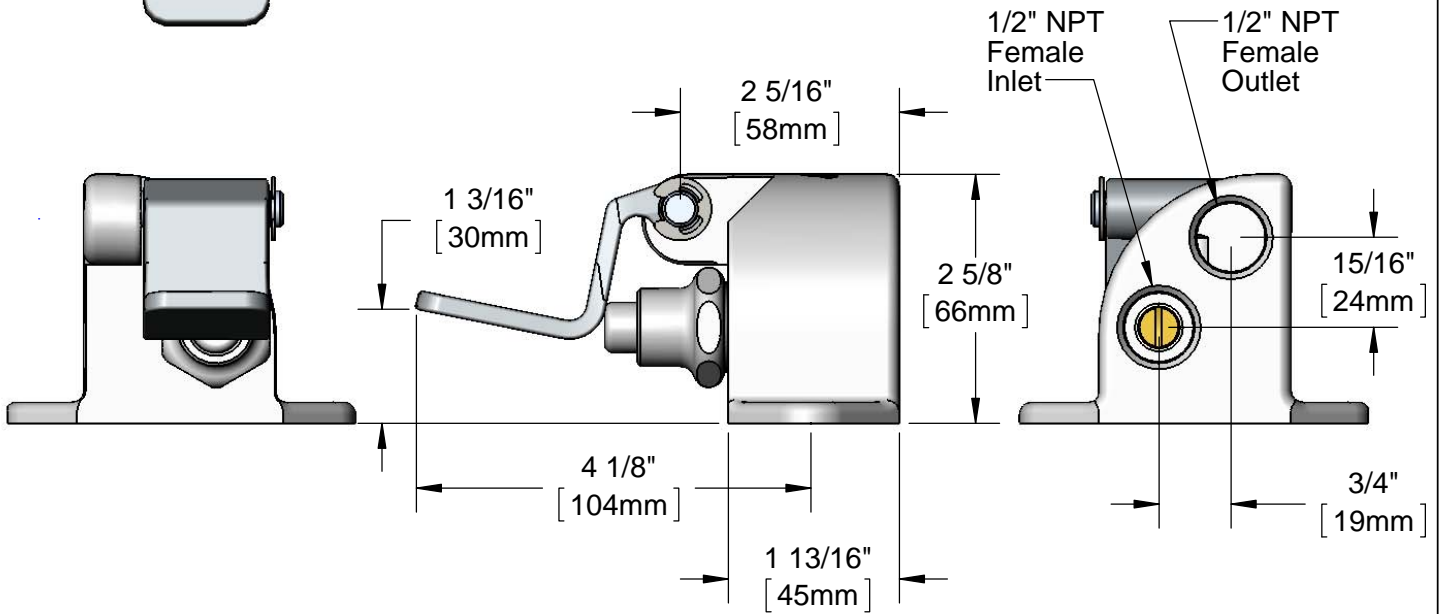
Architect/Engineer _____



Chrome
Plated
Pedal



(2) Wood Mounting
Screws (Included)



Product Specifications:
Single Foot Pedal Valve w/ 1/2" NPT Female Inlet & Outlet

Product Compliance:
ASME A112.18.1 / CSA B125.1
NSF 61 - Section 9
NSF 372 (Low Lead Content)



T&S BRASS AND BRONZE WORKS, INC.
2 Saddleback Cove / P.O. Box 1088
Travelers Rest, SC 29690

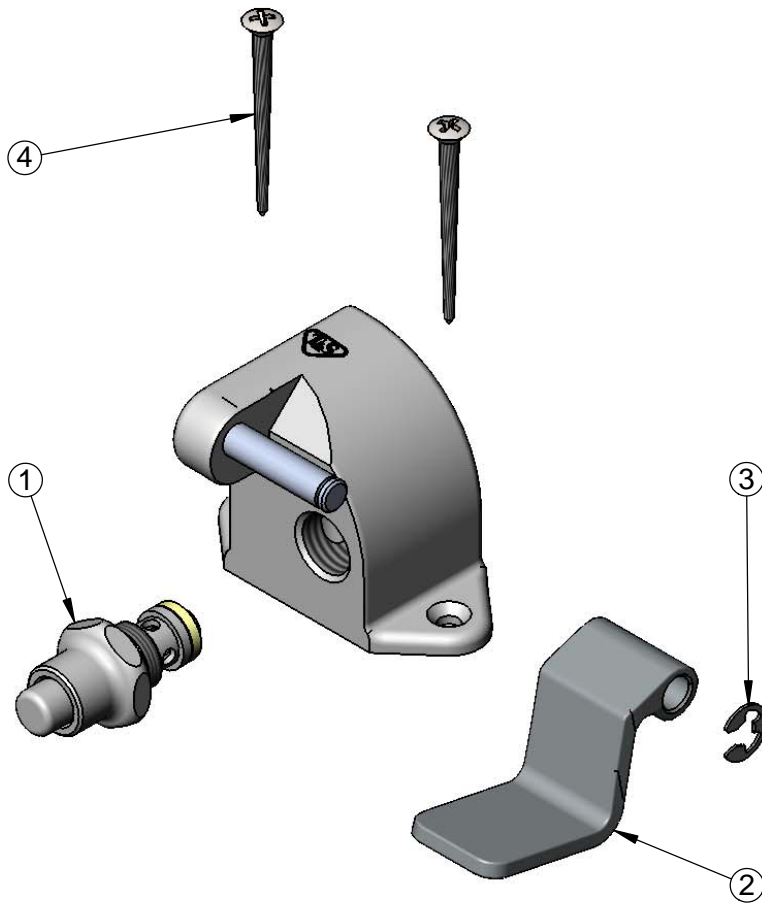
Model No.

B-0507

Item No.

Travelers Rest, SC: 800-476-4103 • Simi Valley, CA: 800-423-0150 • Fax: 864-834-3518 • www.tsbrass.com

ITEM NO.	SALES NO.	DESCRIPTION
1	005312-40	Pedal Valve Bonnet
2	000090-25	Foot Pedal
3	012512-45	E-clip Retaining Ring
4	003749-45	Mounting Screw



Product Specifications:
Single Foot Pedal Valve w/ 1/2" NPT Female Inlet & Outlet

Product Compliance:
ASME A112.18.1 / CSA B125.1
NSF 61 - Section 9
NSF 372 (Low Lead Content)



T&S BRASS AND BRONZE WORKS, INC.
 2 SADDLEBACK COVE / P.O. BOX 1088 / TRAVELERS REST, SC 29690
 PHONE 800-476-4103 FAX 864- 834-3518



Model No.

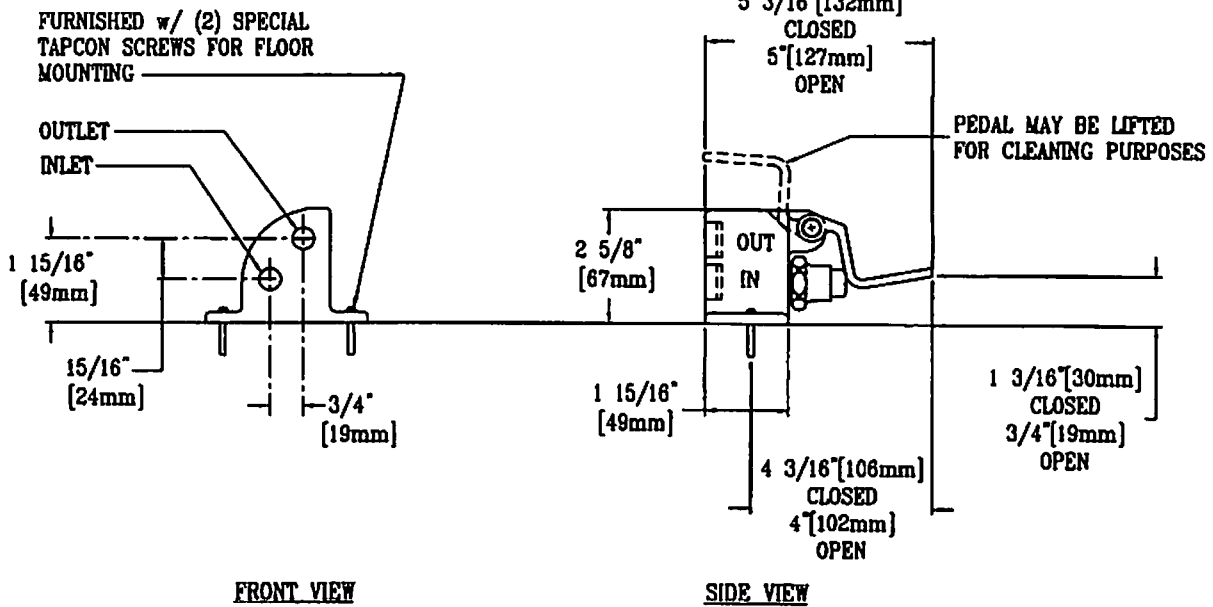
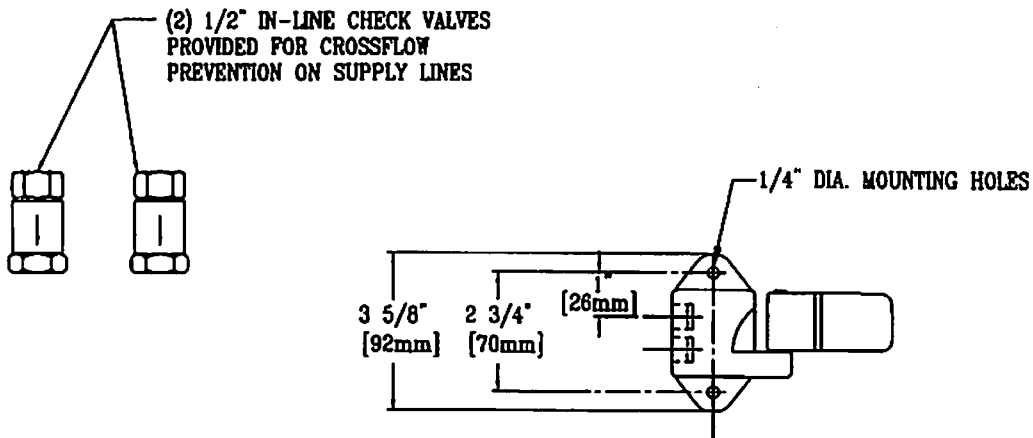
B-0507-02

Item No.:

Job Name:

Architect/Engineer Approval:

Notes:



Product Description:

B-507 PEDAL VALVE w/ FLOOR MOUNTING SCREWS & CHECK VALVES

Drawn:

TME

Checked

JKD

Scale:

1 : 4

Approved

MVW

Date:

2/25/00



T&S BRASS AND BRONZE WORKS, INC.
 2 Saddleback Cove / P.O. Box 1088
 Travelers Rest, SC 29690

Model No.
B-0507-SL

Item No.

Travelers Rest, SC: 800-476-4103 • Simi Valley, CA: 800-423-0150 • Fax: 864-834-3518 • www.tsbrass.com

This Space for Architect/Engineer Approval

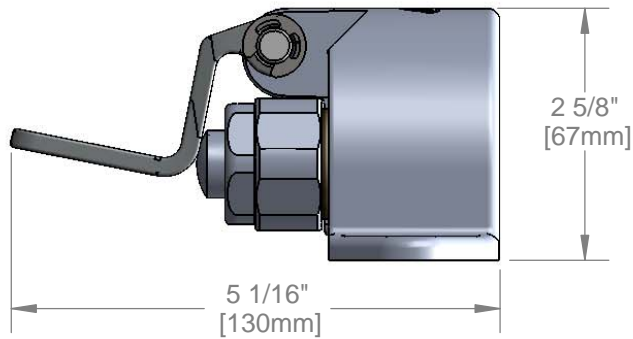
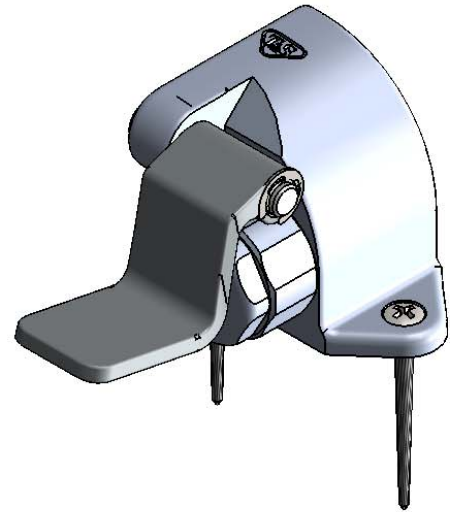
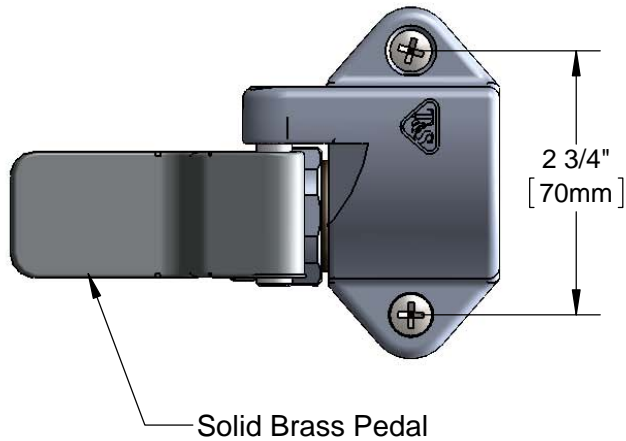
Job Name _____ Date _____

Model Specified _____ Quantity _____

Customer/Wholesaler _____

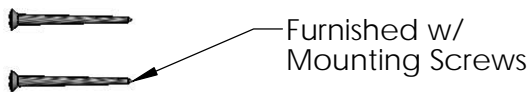
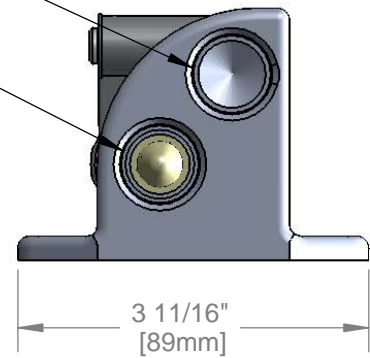
Contractor _____

Architect/Engineer _____



1/2" NPT
Female Outlet

1/2" NPT
Female Inlet



Product Specifications:
 Single Foot Pedal Valve w/ Metering Cartridge,
 1/2" NPT Female Inlet & Outlet

Product Compliance:
 ASME A112.18.1 / CSA B125.1
 NSF 61 - Section 9
 NSF 372 (Low Lead Content)



T&S BRASS AND BRONZE WORKS, INC.
 2 Saddleback Cove / P.O. Box 1088
 Travelers Rest, SC 29690

Model No.

B-0507-SL

Item No.

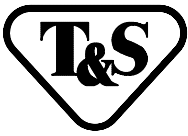
Travelers Rest, SC: 800-476-4103 • Simi Valley, CA: 800-423-0150 • Fax: 864-834-3518 • www.tsbrass.com

ITEM NO.	SALES NO.	DESCRIPTION
1	003749-45	Foot Pedal Mtg. Screw
2	011399-40	Metering Cartridge
3	000090-25	Foot Pedal
4	012512-45	E-clip Retaining Ring



Product Specifications:
 Single Foot Pedal Valve w/ Metering Cartridge,
 1/2" NPT Female Inlet & Outlet

Product Compliance:
 ASME A112.18.1 / CSA B125.1
 NSF 61 - Section 9
 NSF 372 (Low Lead Content)



T&S BRASS AND BRONZE WORKS, INC.

2 SADDLEBACK COVE / P.O. BOX 1088 / TRAVELERS REST, SC 29690

PHONE 800-476-4103

FAX 864-834-3518



REG.#A2601
ISO #9002

Model No.

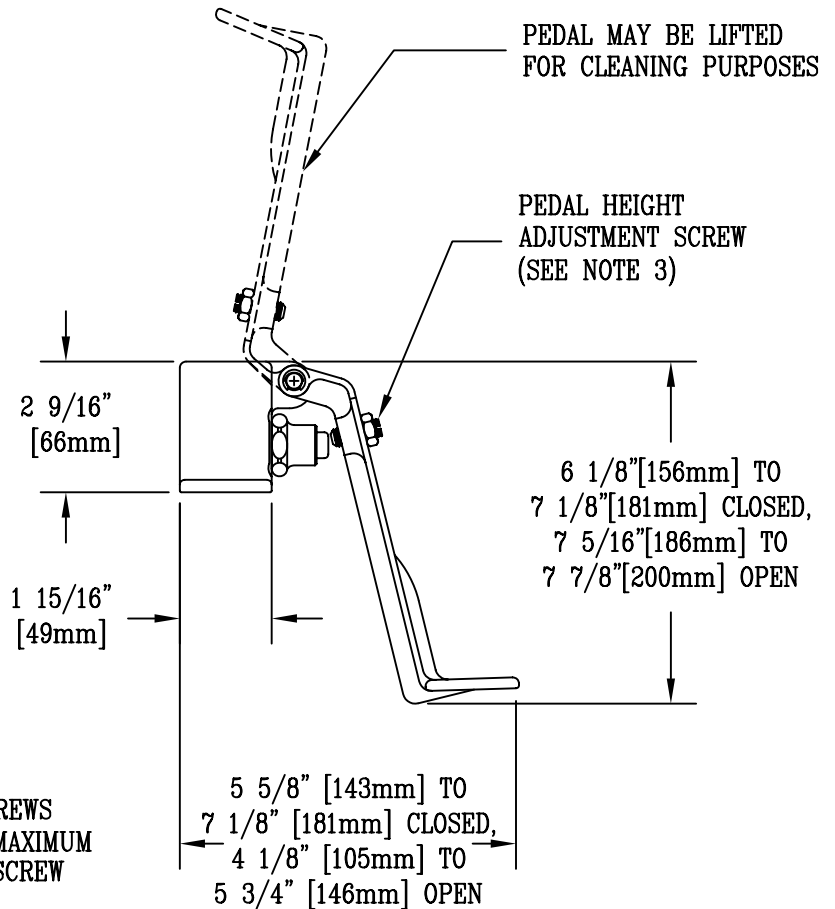
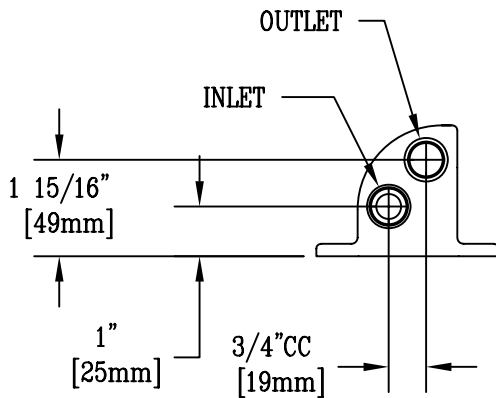
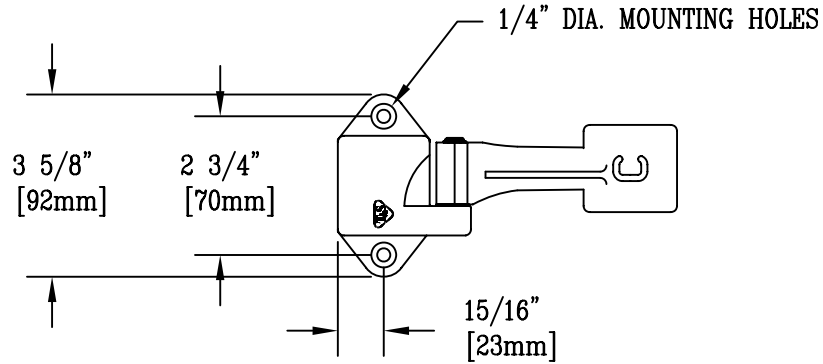
B-0507-01

Item No.:

Job Name:

Architect/Engineer Approval:

Notes:



NOTE 1: INLET & OUTLET ARE 1/2" NPT FEMALE

NOTE 2: FURNISHED WITH (2) WOOD MOUNTING SCREWS

NOTE 3: PEDAL DIMENSIONS VARY ACCORDING TO MAXIMUM AND MINIMUM SETTINGS OF ADJUSTMENT SCREW

Product Description:

Drawn:

Checked

Scale:

GEF

JRM

1:4

Approved

Date:

JHB

04/24/07

B-0507 SINGLE PEDAL VALVE WITH B-0505 PEDAL



T&S BRASS AND BRONZE WORKS, INC.

2 SADDLEBACK COVE / P.O. BOX 1088 / TRAVELERS REST, SC 29690
PHONE 800-476-4103 FAX 864-834-3518



REG.#A2601
ISO #9002

Model No.

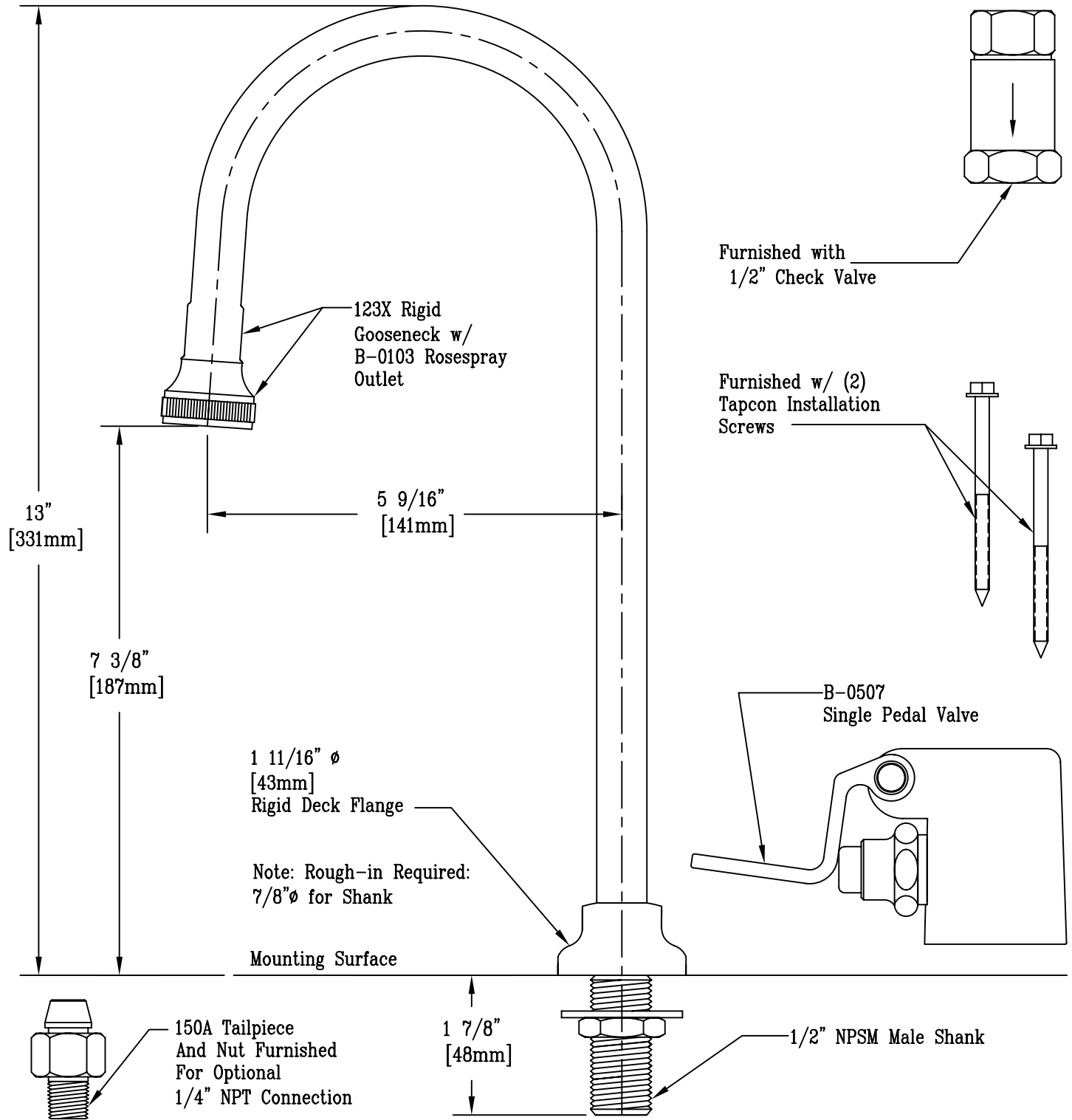
B-0507-03

Item No.:

Job Name:

Architect/Engineer Approval:

Notes:



Product Description:

Single Pedal Valve, Check Valve, Tapcon Installation Screws, & Rigid Dummy Gooseneck w/ Rosespray Outlet

Drawn:

BHR

Checked

JRM

Scale:

1:4

Approved

JHB

Date:

8/17/07