



T&S BRASS AND BRONZE WORKS, INC.
 2 Saddleback Cove / P.O. Box 1088
 Travelers Rest, SC 29690

Model No.
B-0505

Item No.

Travelers Rest, SC: 800-476-4103 • Simi Valley, CA: 800-423-0150 • Fax: 864-834-3518 • www.tsbrass.com

This Space for Architect/Engineer Approval

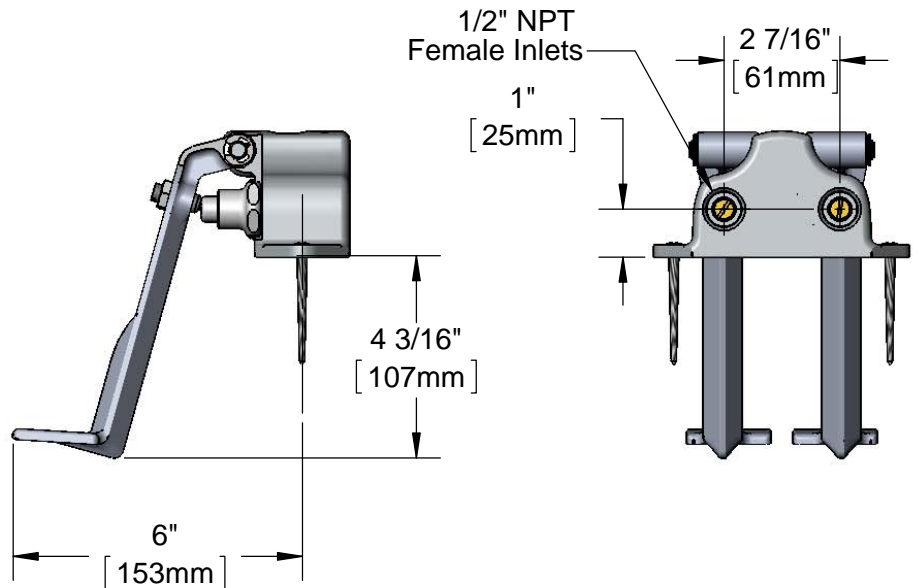
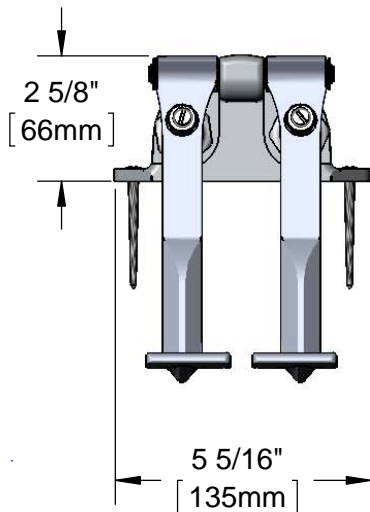
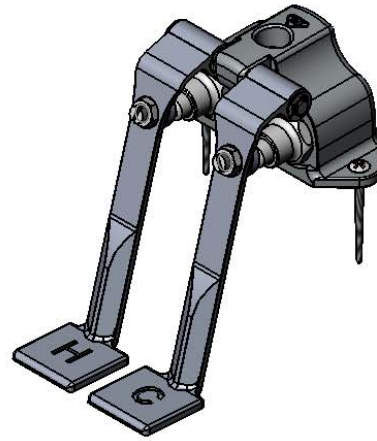
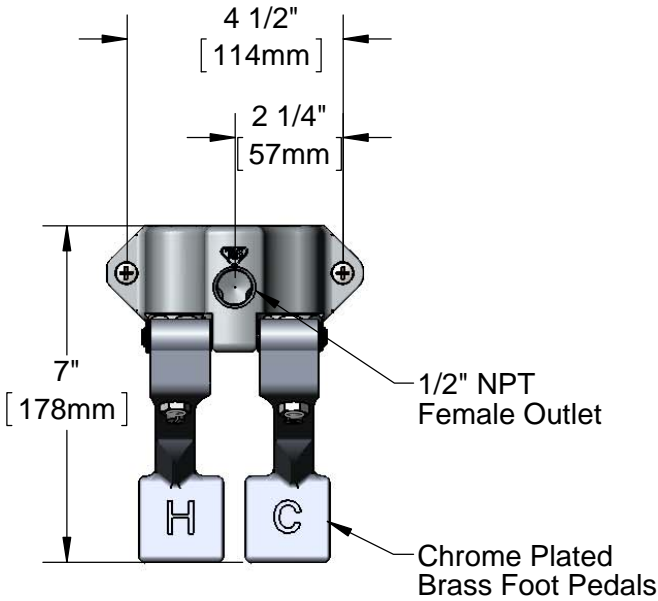
Job Name _____ Date _____

Model Specified _____ Quantity _____

Customer/Wholesaler _____

Contractor _____

Architect/Engineer _____



Product Specifications:
 Double Pedal Valve with 1/2" NPT Female Inlets & Outlet

Product Compliance:
 ASME A112.18.1 / CSA B125.1
 NSF 61 - Section 9
 NSF 372 (Low Lead Content)



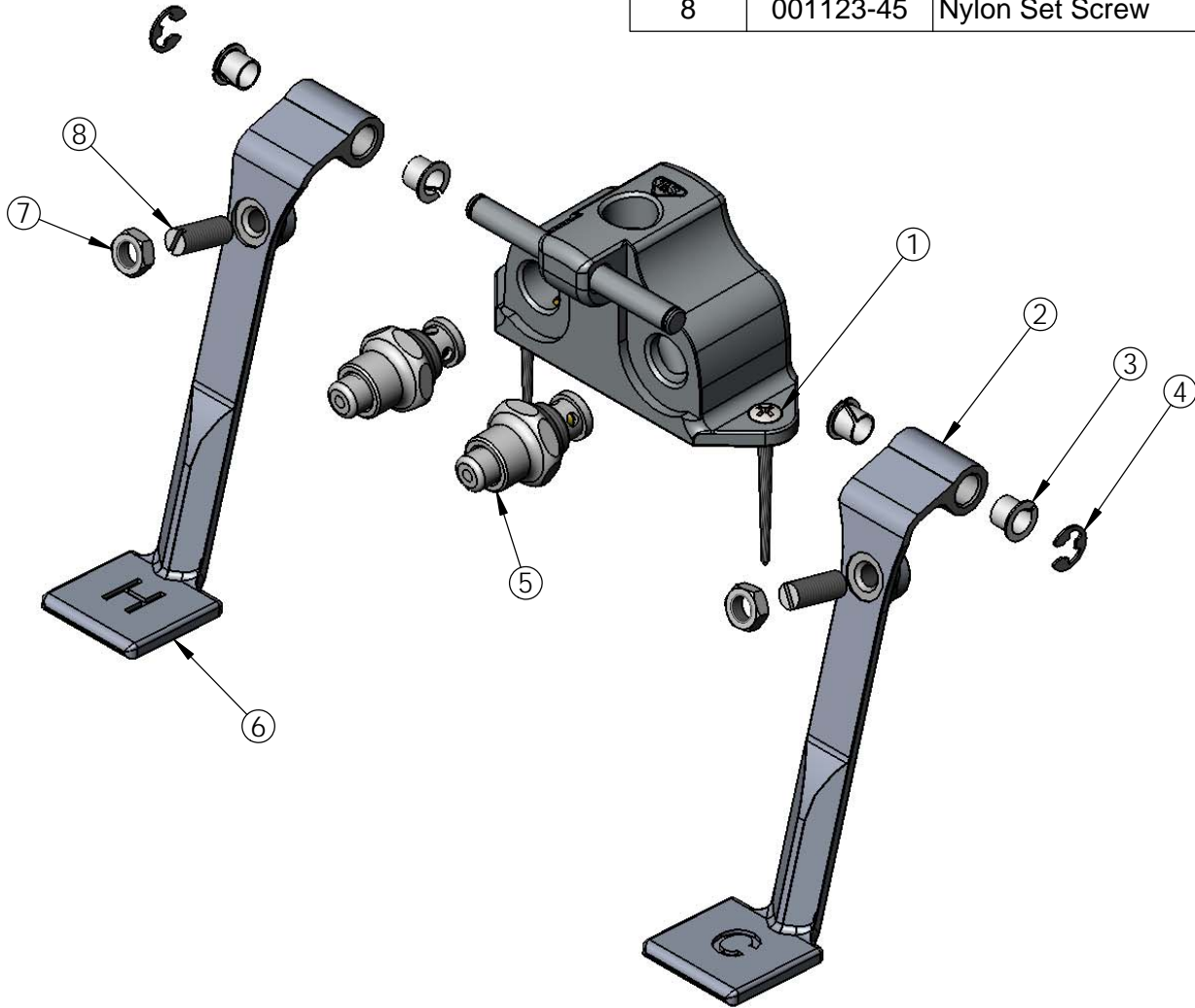
T&S BRASS AND BRONZE WORKS, INC.
 2 Saddleback Cove / P.O. Box 1088
 Travelers Rest, SC 29690

Model No.
B-0505

Item No.

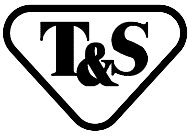
Travelers Rest, SC: 800-476-4103 • Simi Valley, CA: 800-423-0150 • Fax: 864-834-3518 • www.tsbrass.com

ITEM NO.	SALES NO.	DESCRIPTION
1	003749-45	Foot Pedal Mtg. Screw
2	000241-20	Cold Foot Pedal
3	001602-45	Bushing, Pedal Valve
4	012512-45	E-Clip Retaining Ring
5	005312-40	Bonnet Assembly
6	000242-20	Hot Food Pedal
7	000952-45	Nut
8	001123-45	Nylon Set Screw



Product Specifications:
 Double Pedal Valve with 1/2" NPT Female Inlets & Outlet

Product Compliance:
 ASME A112.18.1 / CSA B125.1
 NSF 61 - Section 9
 NSF 372 (Low Lead Content)



T&S BRASS AND BRONZE WORKS, INC.

2 SADDLEBACK COVE / P.O. BOX 1088 / TRAVELERS REST, SC 29690

PHONE 800-476-4103

FAX 864-834-3518



REG.#A2601
ISO #9002

Model No.

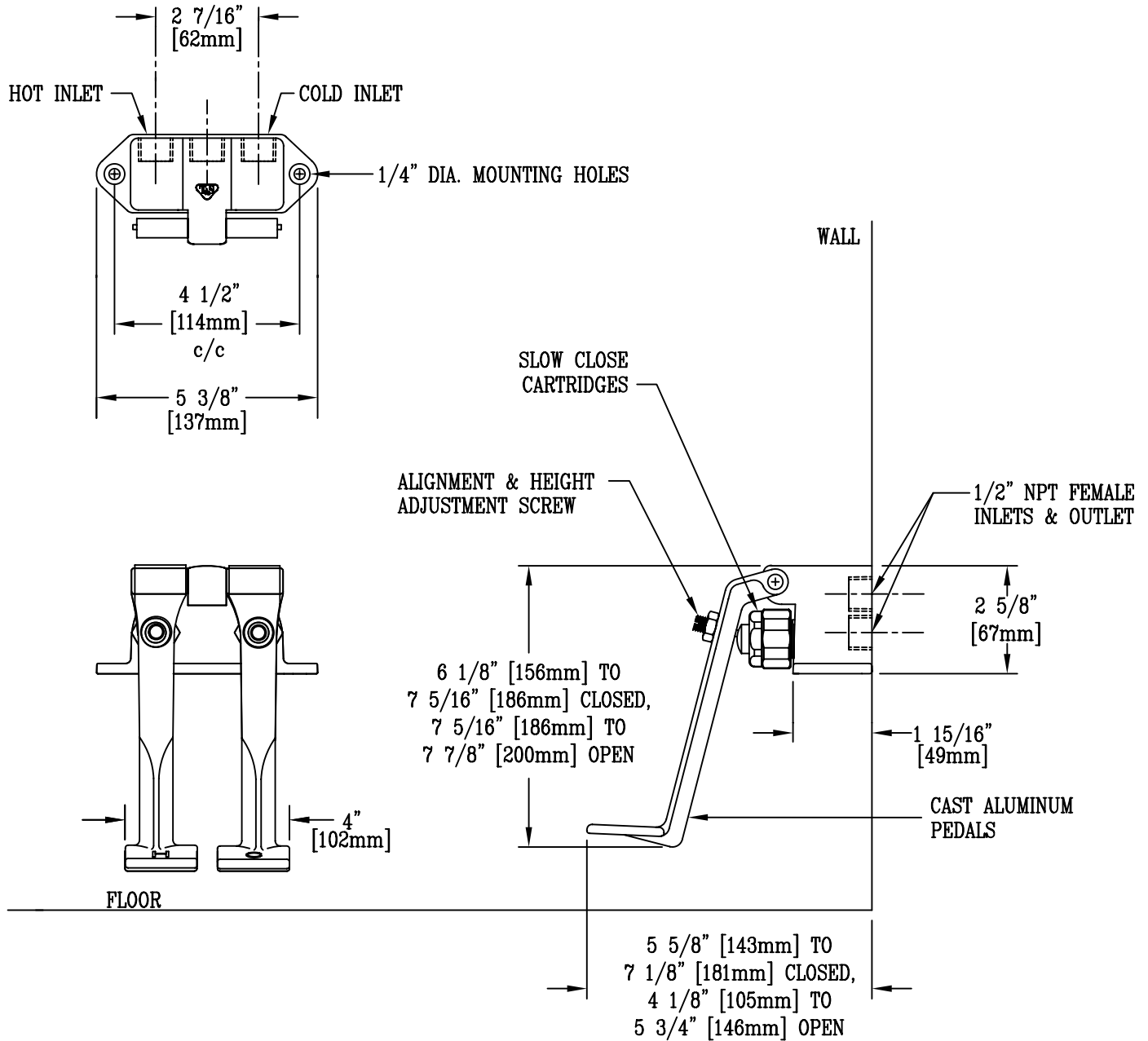
B-0505-SL

Item No.:

Job Name:

Architect/Engineer Approval:

Notes:



1. PEDAL DIMENSIONS VARY ACCORDING TO MAX. & MIN. SETTINGS OF ADJUSTMENT SCREW.
2. FURNISHED WITH MOUNTING SCREWS AND NUTS (2 EACH).

Product Description:

B-505 STYLE DOUBLE PEDAL VALVE WITH SLOW CLOSE CARTRIDGES

Drawn:

GEF

Approved

JHB

Checked

JRM

Scale:

1:4

Date:

04/24/07