



T&S BRASS AND BRONZE WORKS, INC.
 2 SADDLEBACK COVE / P.O. BOX 1088 / TRAVELERS REST, SC 29690
 PHONE 800-476-4103 FAX 803-834-3518



Model No.

B-0342

Item No.:

REG.#A2601
ISO #9002

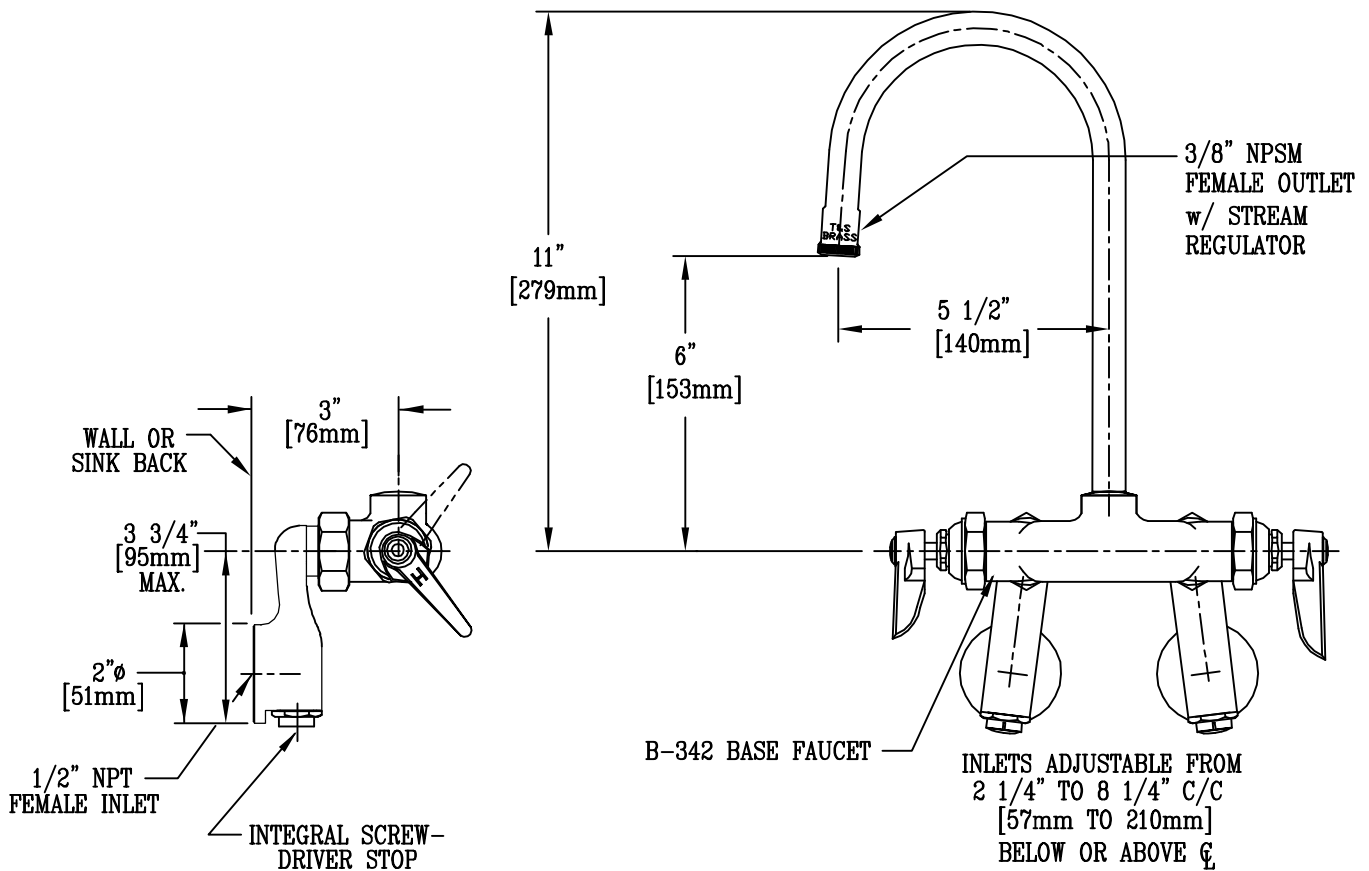
Job Name:

Architect/Engineer Approval:

Notes:



ADA COMPLIANT



NSF STANDARD 61, SECTION 9 CERTIFIED.

Product Description:

COMBINATION SINK FAUCET WITH 120X RIGID GOOSENECK,
 ADJUSTABLE INLET ARMS & INTEGRAL STOPS

Drawn:

LEL

Approved

MVW

Checked

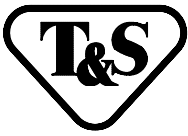
JKD

Scale:

1 : 4

Date:

9/11/02



T&S BRASS AND BRONZE WORKS, INC.

2 SADDLEBACK COVE / P.O. BOX 1088 / TRAVELERS REST, SC 29690

PHONE 800-476-4103

FAX 803- 834-3518



REG.#A2601
ISO #9002

Model No.

B-0342CR-PRISON

Item No.:

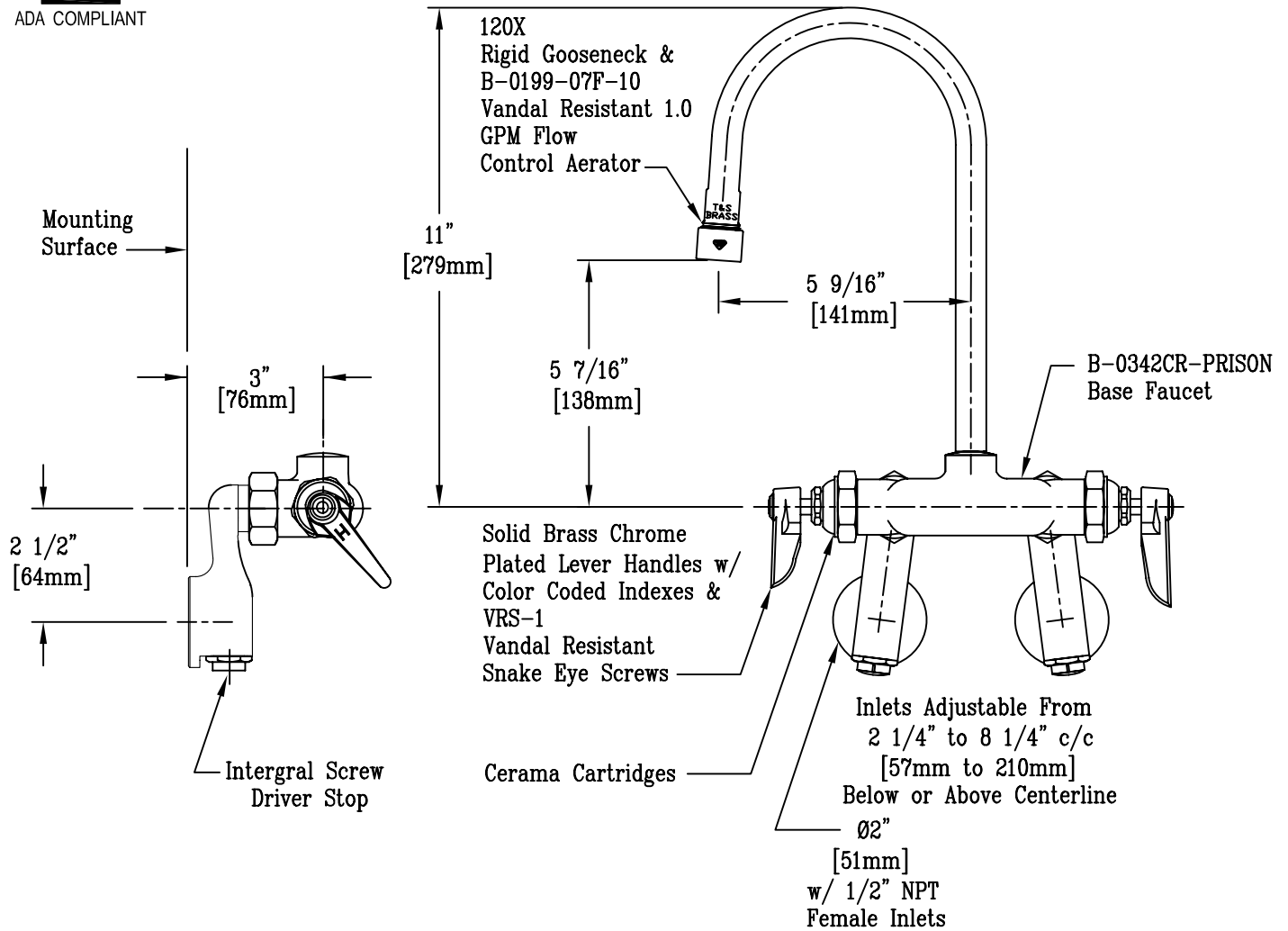
Job Name:

Architect/Engineer Approval:

Notes:



ADA COMPLIANT



Note: Permanent Thread Locker Supplied to Assemble Gooseneck to Faucet Body.

014075-45 Handle Vandal Resistant Spanner Bit Supplied.	Q015425-45 Aerator Vandal Resistant Key Supplied.

Product Description:

Combination Faucet w/ 120X Rigid Gooseneck w/ B-0199-07F-10 Vandal Resistant 1.0 GPM Aerator, Cerama Cartridges, Adjustable Inlet Arms, Intergral Stops & Solid Brass Chrome Plated Lever Handles w/ VR Snake Eye Screws

Drawn:

DHL

Approved

JHB

Checked

KJG

Scale:

1 : 4

Date:

05/11/09