



T&S BRASS AND BRONZE WORKS, INC.

2 Saddleback Cove / P.O. Box 1088
Travelers Rest, SC 29690

Model No.

B-0318-03

Item No.

Travelers Rest, SC: 800-476-4103 • Simi Valley, CA: 800-423-0150 • Fax: 864-834-3518 • www.tsbrass.com

This Space for Architect/Engineer Approval

Job Name _____ Date _____

Model Specified _____ Quantity _____

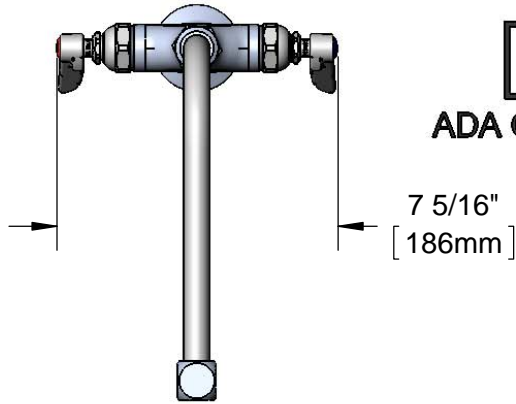
Customer/Wholesaler _____

Contractor _____

Architect/Engineer _____



ADA Compliant



7 5/16"
[186mm]

Eterna Cartridges &
Lever Handle w/
Color Coded
Indexes

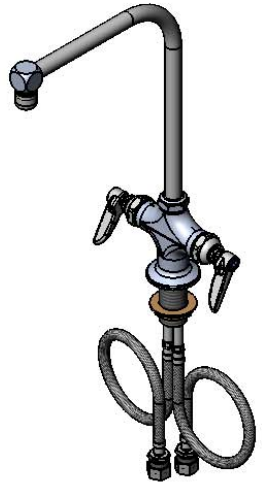
2 5/16"
[58mm]

14 15/16"
[379mm]

13 1/16"
[332mm]

8 11/16"
[220mm]

90° Swing Nozzle,
360° Rotation w/
B-0199-01 Aerator
2.2 GPM Flow Rate



Ø2 1/4"
[57mm]
Base

1 3/8"
[35mm]
Maximum
Thickness

18" Flexible
Stainless Steel
Supply Hoses

Compression Fittings
for 5/8" O.D. Copper Tubing
(Remove Compression Nut
for 1/2" NPSM Male)

Rough-In Requirement:
Ø1 1/2" [38mm] Mounting Hole

Product Specifications:

Single Hole Deck Mount Mixing Faucet, Eterna Cartridges,
90° Swing Nozzle w/ 2.2 GPM Aerator & 18" Flexible Stainless
Steel Supply Hoses w/ 1/2" NPSM Male Inlets

Product Compliance:

ASME A112.18.1 / CSA B125.1
NSF 61 - Section 9
NSF 372 (Low Lead Content)
ANSI A117.1 (ADA)

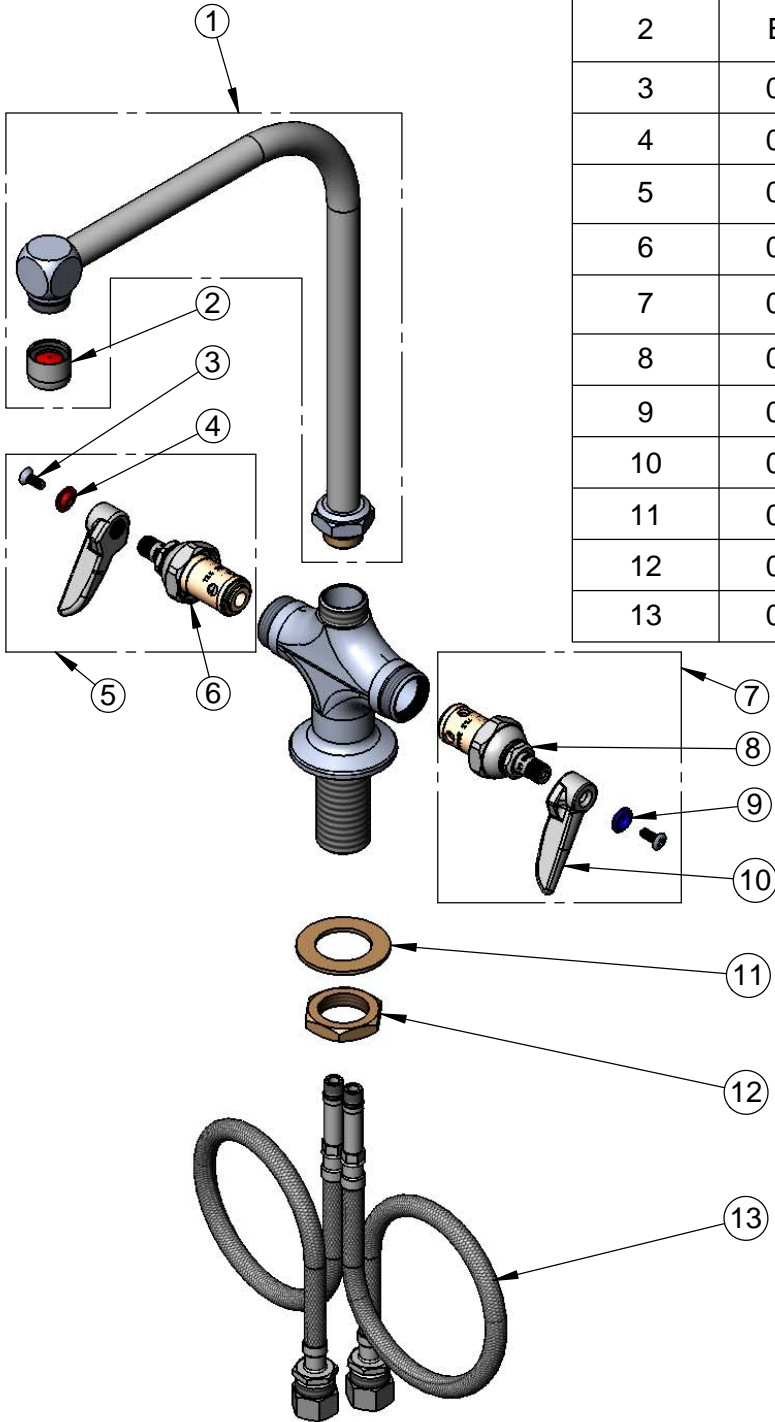


T&S BRASS AND BRONZE WORKS, INC.
 2 Saddleback Cove / P.O. Box 1088
 Travelers Rest, SC 29690

Model No.
B-0318-03

Item No.

Travelers Rest, SC: 800-476-4103 • Simi Valley, CA: 800-423-0150 • Fax: 864-834-3518 • www.tsbrass.com



ITEM NO.	SALES NO.	DESCRIPTION
1	018006-40	B-0318-03 Swing Nozzle
2	B-0199-01	2.2 GPM Aerator, 55/64"-27 UN Female
3	000922-45	Lever Handle Screw
4	001661-45	Red Index-HW
5	002714-40	Eterna Cartridge, RTC w/ Handle, Index & Screw
6	005960-40	Eterna Cartridge, RTC
7	002713-40	Eterna Cartridge, LTC w/ Handle, Index & Screw
8	005959-40	Eterna Cartridge, LTC
9	001660-45	Blue Index-CW
10	001638-45	Lever Handle
11	002290-45	Lock Washer
12	000965-45	Lock Nut
13	012534-45	18" Flexible Supply Hose (2)

Product Specifications:
 Single Hole Deck Mount Mixing Faucet, Eterna Cartridges,
 90° Swing Nozzle w/ 2.2 GPM Aerator & 18" Flexible Stainless
 Steel Supply Hoses w/ 1/2" NPSM Male Inlets

Product Compliance:
 ASME A112.18.1 / CSA B125.1
 NSF 61 - Section 9
 NSF 372 (Low Lead Content)
 ANSI A117.1 (ADA)