



T&S BRASS AND BRONZE WORKS, INC.

2 Saddleback Cove / P.O. Box 1088
Travelers Rest, SC 29690

Model No.

B-0312

Item No.

Travelers Rest, SC: 800-476-4103 • Simi Valley, CA: 800-423-0150 • Fax: 864-834-3518 • www.tsbrass.com



ADA Compliant

This Space for Architect/Engineer Approval

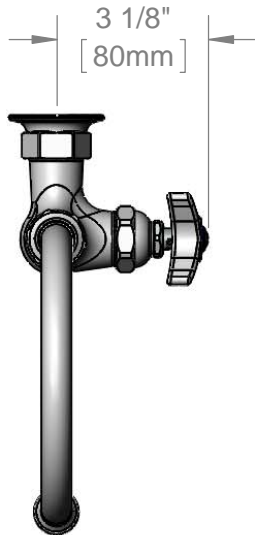
Job Name _____ Date _____

Model Specified _____ Quantity _____

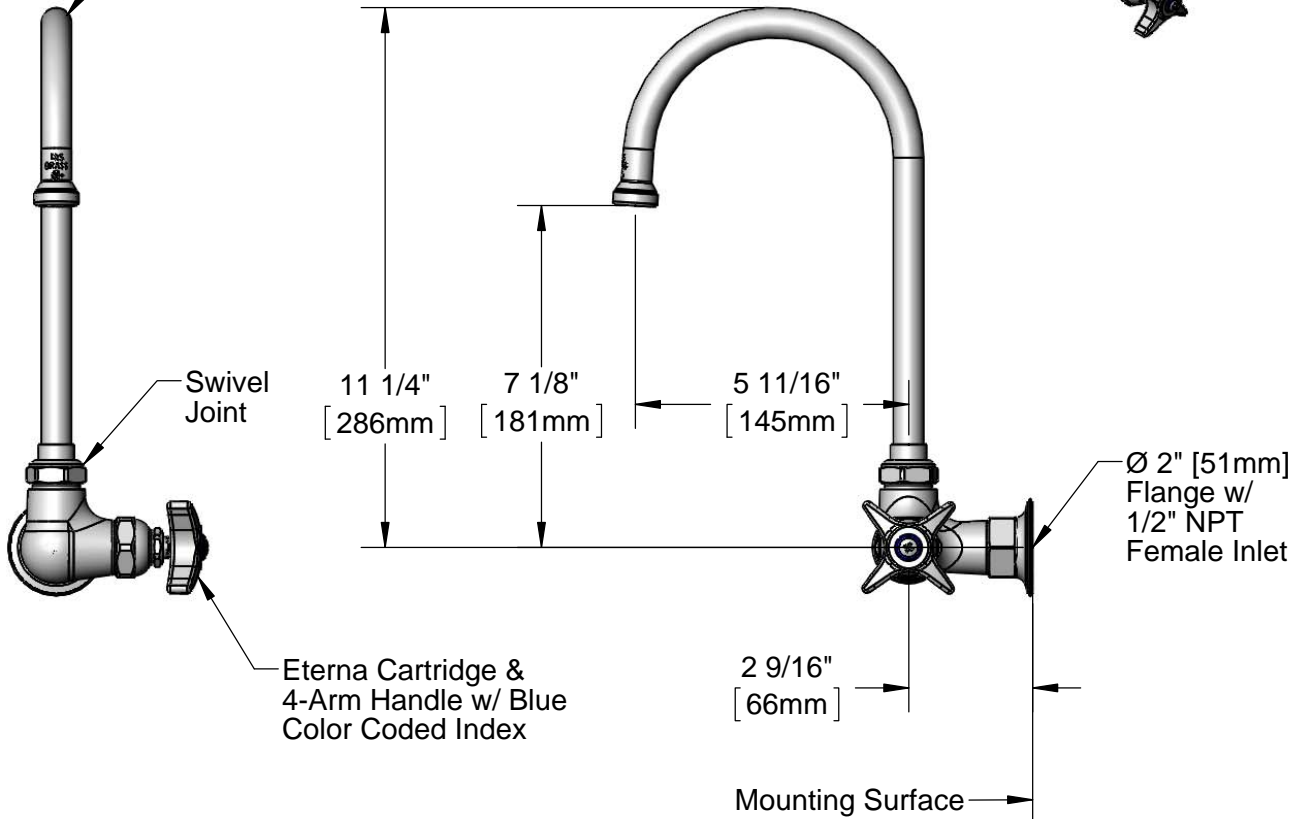
Customer/Wholesaler _____

Contractor _____

Architect/Engineer _____



133X
6" Swivel Gooseneck w/
Stream Regulator Outlet



Swivel
Joint

11 1/4"
[286mm]

7 1/8"
[181mm]

5 11/16"
[145mm]

Ø 2" [51mm]
Flange w/
1/2" NPT
Female Inlet

Eterna Cartridge &
4-Arm Handle w/ Blue
Color Coded Index

2 9/16"
[66mm]

Mounting Surface

Product Specifications:

Single Hole Single Temperature Wall Mount Faucet, 4-Arm Handle, 6" Swivel Gooseneck & 1/2" NPT Female Inlet

Drawn

DHL

Checked

DMH

Approved

JHB

Scale:

1:4

Date:

02/04/14



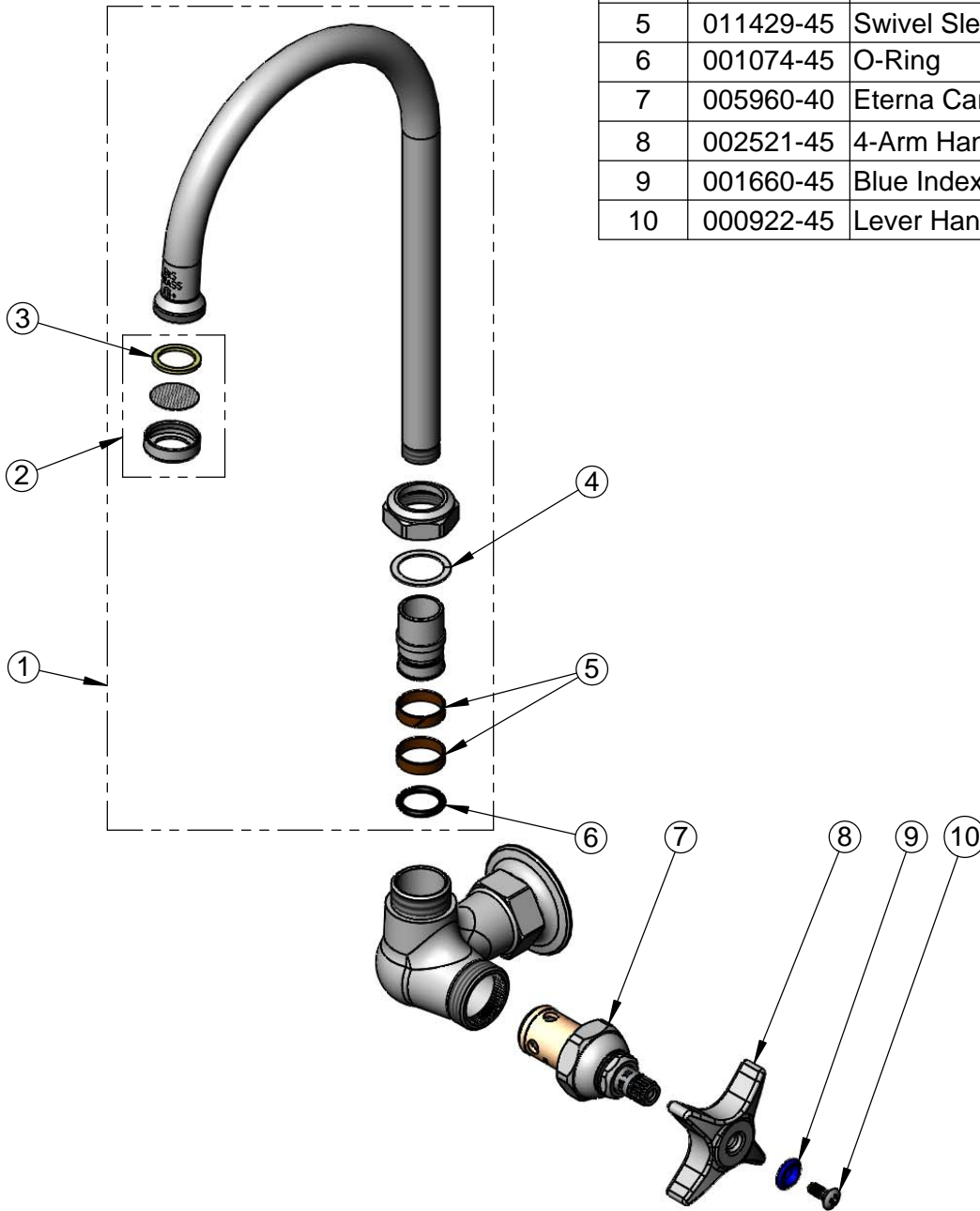
T&S BRASS AND BRONZE WORKS, INC.
 2 Saddleback Cove / P.O. Box 1088
 Travelers Rest, SC 29690

Model No.
B-0312

Item No.

Travelers Rest, SC: 800-476-4103 • Simi Valley, CA: 800-423-0150 • Fax: 864-834-3518 • www.tsbrass.com

ITEM NO.	SALES NO.	DESCRIPTION
1	133X	6" Swivel Gooseneck
2	B-PT	Stream Regulator Outlet
3	001048-45	Nozzle Tip Washer
4	009538-45	Swivel Washer
5	011429-45	Swivel Sleeves (2)
6	001074-45	O-Ring
7	005960-40	Eterna Cartridge, RTC
8	002521-45	4-Arm Handle
9	001660-45	Blue Index-CW
10	000922-45	Lever Handle Screw



Product Specifications:
 Single Hole Single Temperature Wall Mount Faucet, 4-Arm Handle,
 6" Swivel Gooseneck & 1/2" NPT Female Inlet

Drawn DHL	Checked DMH	Approved JHB
Scale: NTS		Date: 02/04/14