



T&S BRASS AND BRONZE WORKS, INC.
 2 SADDLEBACK COVE / P.O. BOX 1088 / TRAVELERS REST, SC 29690
 PHONE 800-476-4103 - FAX 864- 834-3518



Model No.

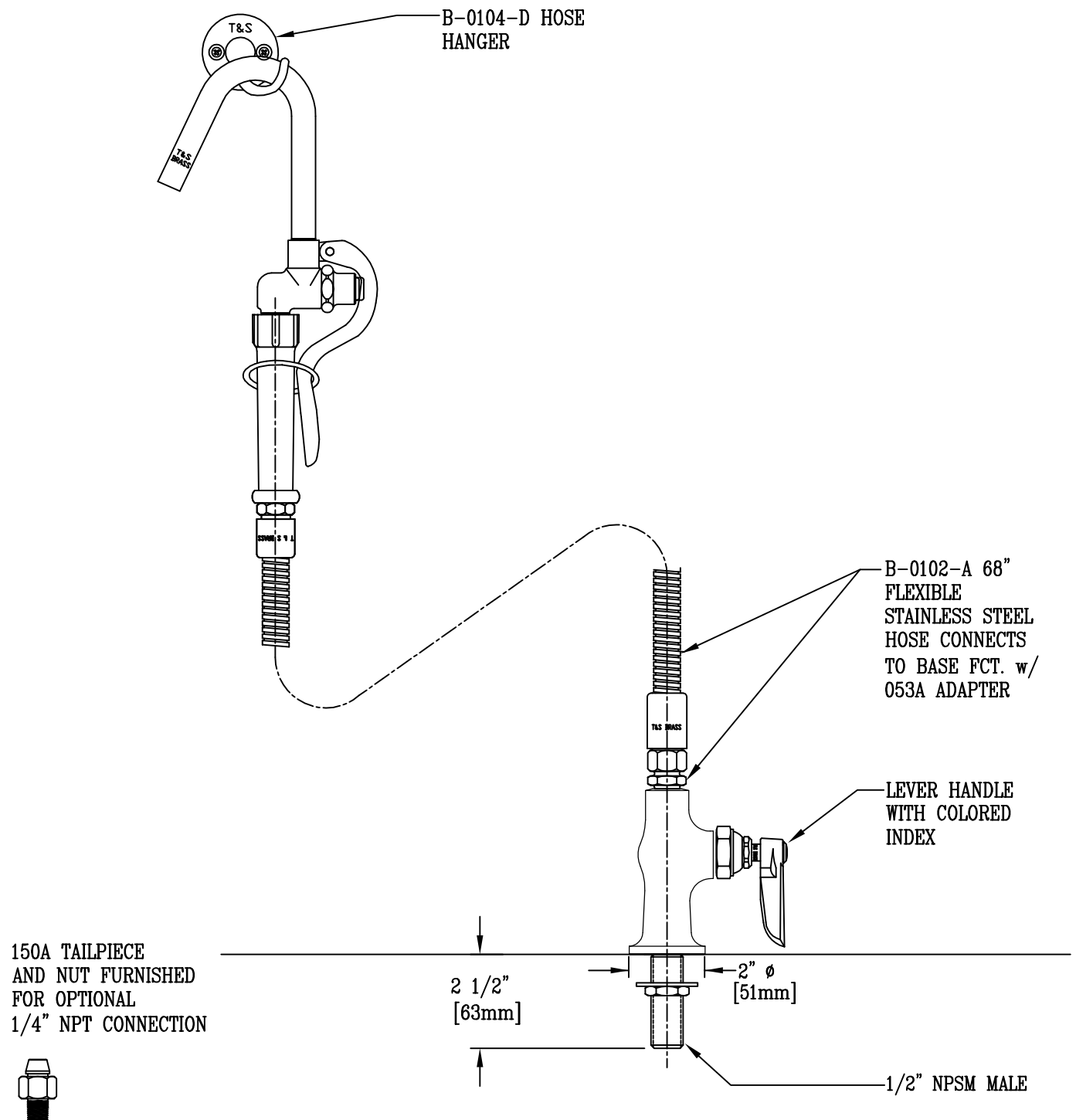
B-0305-102A

**RELIABILITY
 BUILT IN**

Job Name:

Architect/Engineer Approval:

Notes:



Product Description:

Single Temperature Deck Mount Faucet w/
 B-0102-A Hose & Hook Nozzle

Drawn:

WJS

Approved

JHB

Checked

JRM

Scale:

1 : 4

Date:

08/22/06



T&S BRASS AND BRONZE WORKS, INC.

2 Saddleback Cove / P.O. Box 1088
Travelers Rest, SC 29690

Model No.

B-0305-102A-CR

Item No.

Travelers Rest, SC: 800-476-4103 • Simi Valley, CA: 800-423-0150 • Fax: 864-834-3518 • www.tsbrass.com

This Space for Architect/Engineer Approval

Job Name _____ Date _____

Model Specified _____ Quantity _____

Customer/Wholesaler _____

Contractor _____

Architect/Engineer _____



Hose Hanger



68" Flexible Stainless Steel Hose
w/ Hook Nozzle Spray Valve
Connects to Base Faucet
w/ Adapter

1 5/8" [41mm]
Maximum
Thickness

Mounting Surface

Cerama Cartridge
& Lever Handle w/
Blue Color Coded Index

1/2" NPSM
Male Thread

150A
Optional Tailpiece & Nut for
1/4" NPT Connection
(Included)



Rough-In Requirement:
Ø 1" [25mm] Mounting Hole

Product Specifications:

Single Hole Single Temperature Deck Mount Faucet, Cerama Cartridge, Lever Handle, Hook Nozzle Spray Valve, 68" Flexible Stainless Steel Hose & 1/2" NPSM Male Inlet

Product Compliance:

ASME A112.18.1 / CSA B125.1
NSF 61 - Section 9
NSF 372 (Low Lead Content)
EPA Act 2005 Non-Compliant (PRSV)



T&S BRASS AND BRONZE WORKS, INC.

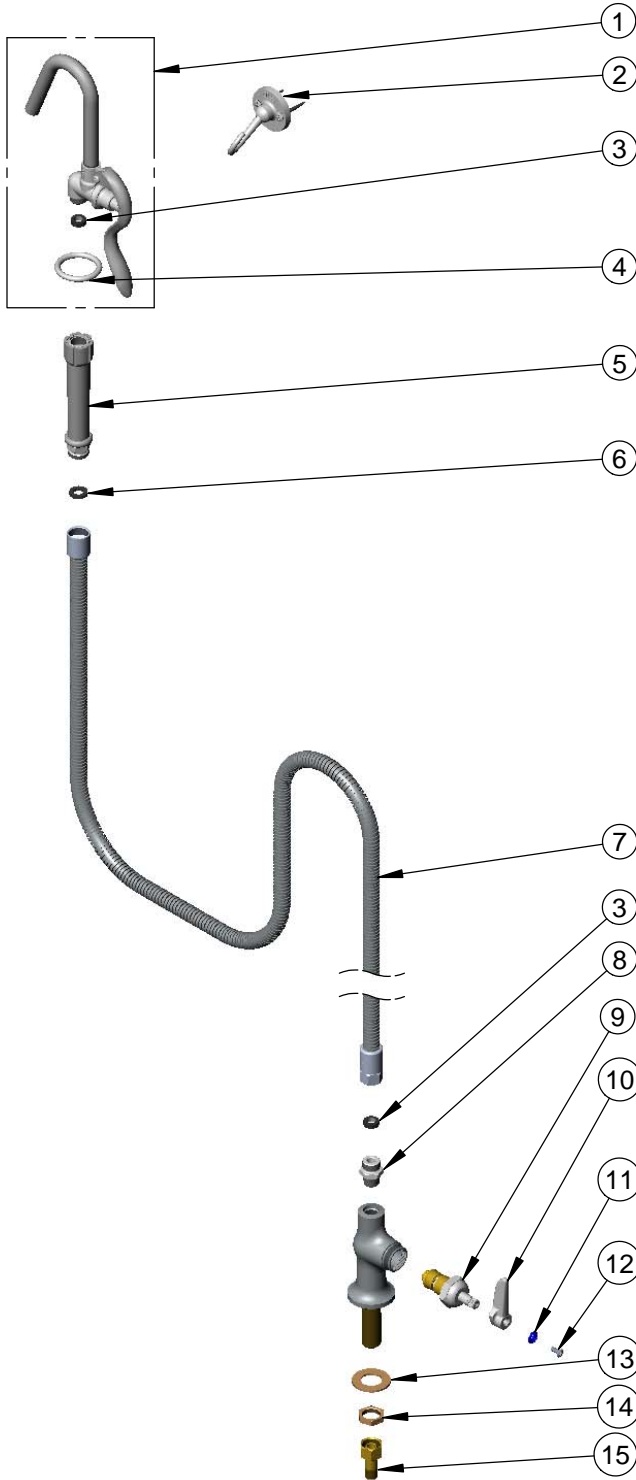
2 Saddleback Cove / P.O. Box 1088
Travelers Rest, SC 29690

Model No.

B-0305-102A-CR

Item No.

Travelers Rest, SC: 800-476-4103 • Simi Valley, CA: 800-423-0150 • Fax: 864-834-3518 • www.tsbrass.com



ITEM NO.	SALES NO.	DESCRIPTION
1	002851-40	Hook Nozzle Spray Valve
2	B-0104-D	Dummy Wall Hook Bracket
3	010476-45	#27 Washer
4	000907-45	Spray Valve Hold Down Ring
5	002987-40	Grip Handle
6	001014-45	Washer, B-0100 Hose Barrel
7	B-0068-H2A	68" Flexible Stainless Steel Hose, Less Handle
8	053A	Adapter, 3/8" NPT Male
9	011278-25	Cerama Cartridge - RTC
10	001638-45	Lever Handle
11	001660-45	Blue Index-CW
12	000922-45	Lever Handle Screw
13	000999-45	Brass Lock Washer
14	002954-45	Shank Lock Nut
15	150A	1/4" NPT Tailpiece & Nut

Product Specifications:

Single Hole Single Temperature Deck Mount Faucet, Cerama Cartridge, Lever Handle, Hook Nozzle Spray Valve, 68" Flexible Stainless Steel Hose & 1/2" NPSM Male Inlet

Product Compliance:

ASME A112.18.1 / CSA B125.1
NSF 61 - Section 9
NSF 372 (Low Lead Content)
EPA Act 2005 Non-Compliant (PRSV)