



T&S BRASS AND BRONZE WORKS, INC.

2 Saddleback Cove / P.O. Box 1088
Travelers Rest, SC 29690

Model No.

B-0301

Item No.

Travelers Rest, SC: 800-476-4103 • Simi Valley, CA: 800-423-0150 • Fax: 864-834-3518 • www.tsbrass.com



ADA Compliant

This Space for Architect/Engineer Approval

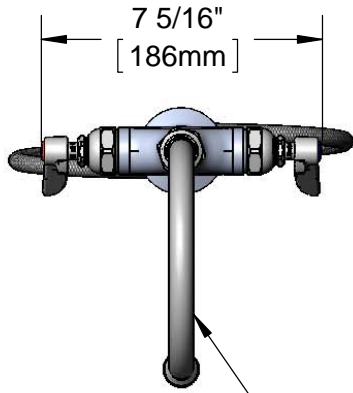
Job Name _____ Date _____

Model Specified _____ Quantity _____

Customer/Wholesaler _____

Contractor _____

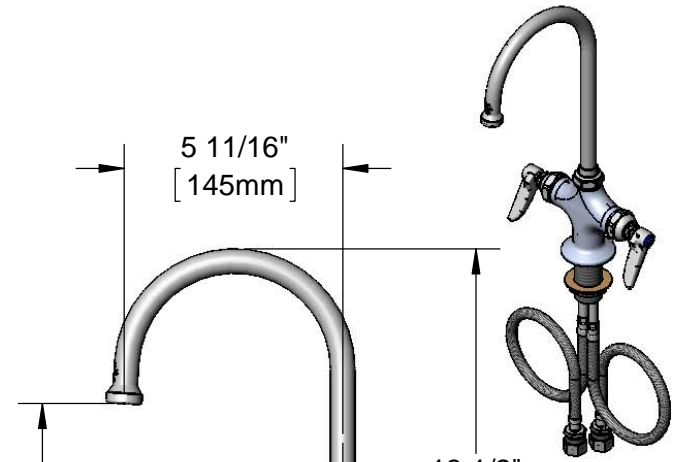
Architect/Engineer _____



7 5/16"
[186mm]

133X
Swivel Gooseneck w/
Stream Regulator Outlet

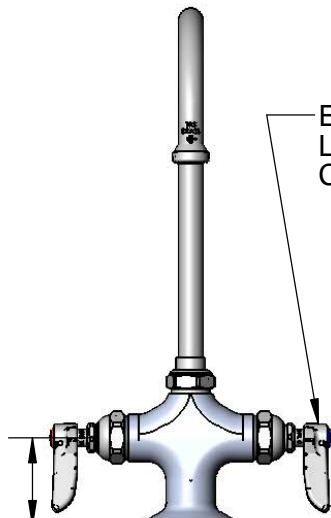
Eterna Cartridges &
Lever Handles w/
Color Coded Indexes



5 11/16"
[145mm]

13 1/2"
[343mm]

9 1/2"
[241mm]

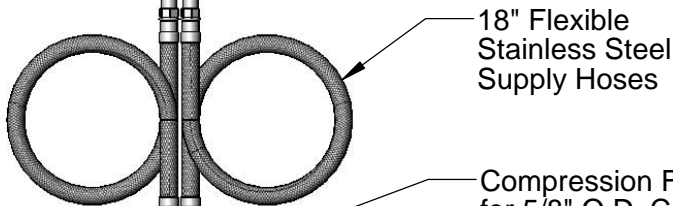


Mounting Surface

2 5/16"
[58mm]

1 1/4"
[32mm]
Maximum
Thickness

Ø2 1/4"
[57mm]
Flange



18" Flexible
Stainless Steel
Supply Hoses

Compression Fittings
for 5/8" O.D. Copper Tubing
(Remove Compression Nut
for 1/2" NPSM Male)

Rough-In Requirement:
Ø 1 1/2" [38mm] Mounting Hole

Product Specifications:
Single Hole Deck Mount Mixing Faucet, Eterna Cartridges, Lever
Handles, Swivel Gooseneck w/ Stream Regulator Outlet, 18" Flexible
Stainless Steel Supply Hoses w/ 1/2" NPSM Male Inlets

Product Compliance:
ASME A112.18.1 / CSA B125.1
NSF 61 - Section 9
NSF 372 (Low Lead Content)
ANSI A117.1 (ADA)



T&S BRASS AND BRONZE WORKS, INC.

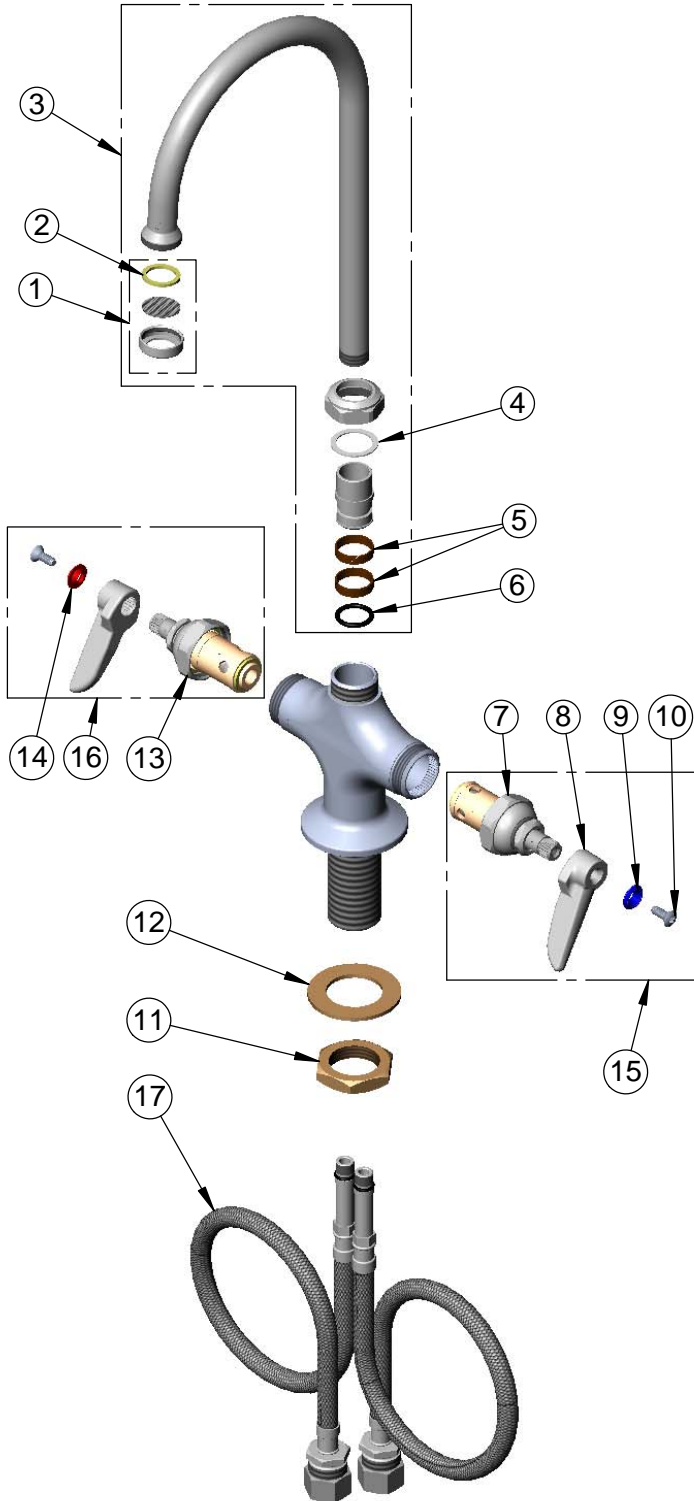
2 Saddleback Cove / P.O. Box 1088
Travelers Rest, SC 29690

Model No.

B-0301

Item No.

Travelers Rest, SC: 800-476-4103 • Simi Valley, CA: 800-423-0150 • Fax: 864-834-3518 • www.tsbrass.com



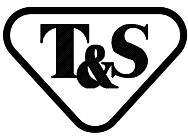
ITEM NO.	SALES NO.	DESCRIPTION
1	B-PT	Stream Regulator Outlet
2	001048-45	Nozzle Tip Washer
3	133X	Swivel Gooseneck
4	009538-45	Swivel Washer
5	011429-45	Swivel Sleeves (2)
6	001074-45	O-Ring
7	005959-40	Eterna Cartridge, LTC
8	001638-45	Lever Handle
9	001660-45	Blue Index-CW
10	000922-45	Lever Handle Screw
11	000965-45	Lock Nut
12	002290-45	Lock Washer
13	005960-40	Eterna Cartridge, RTC
14	001661-45	Red Index-HW
15	002713-40	Eterna Cartridge, LTC w/ Handle, Index & Screw
16	002714-40	Eterna Cartridge, RTC w/ Handle, Index & Screw
17	012534-45	18" Flexible Supply Hose (2)

Product Specifications:

Single Hole Deck Mount Mixing Faucet, Eterna Cartridges, Lever Handles, Swivel Gooseneck w/ Stream Regulator Outlet, 18" Flexible Stainless Steel Supply Hoses w/ 1/2" NPSM Male Inlets

Product Compliance:

ASME A112.18.1 / CSA B125.1
NSF 61 - Section 9
NSF 372 (Low Lead Content)
ANSI A117.1 (ADA)



T&S BRASS AND BRONZE WORKS, INC.

2 SADDLEBACK COVE / P.O. BOX 1088 / TRAVELERS REST, SC 29690

PHONE 800-476-4103 - FAX 864- 834-3518

Model No.

B-0301-01

RELIABILITY
BUILT IN

Job Name:

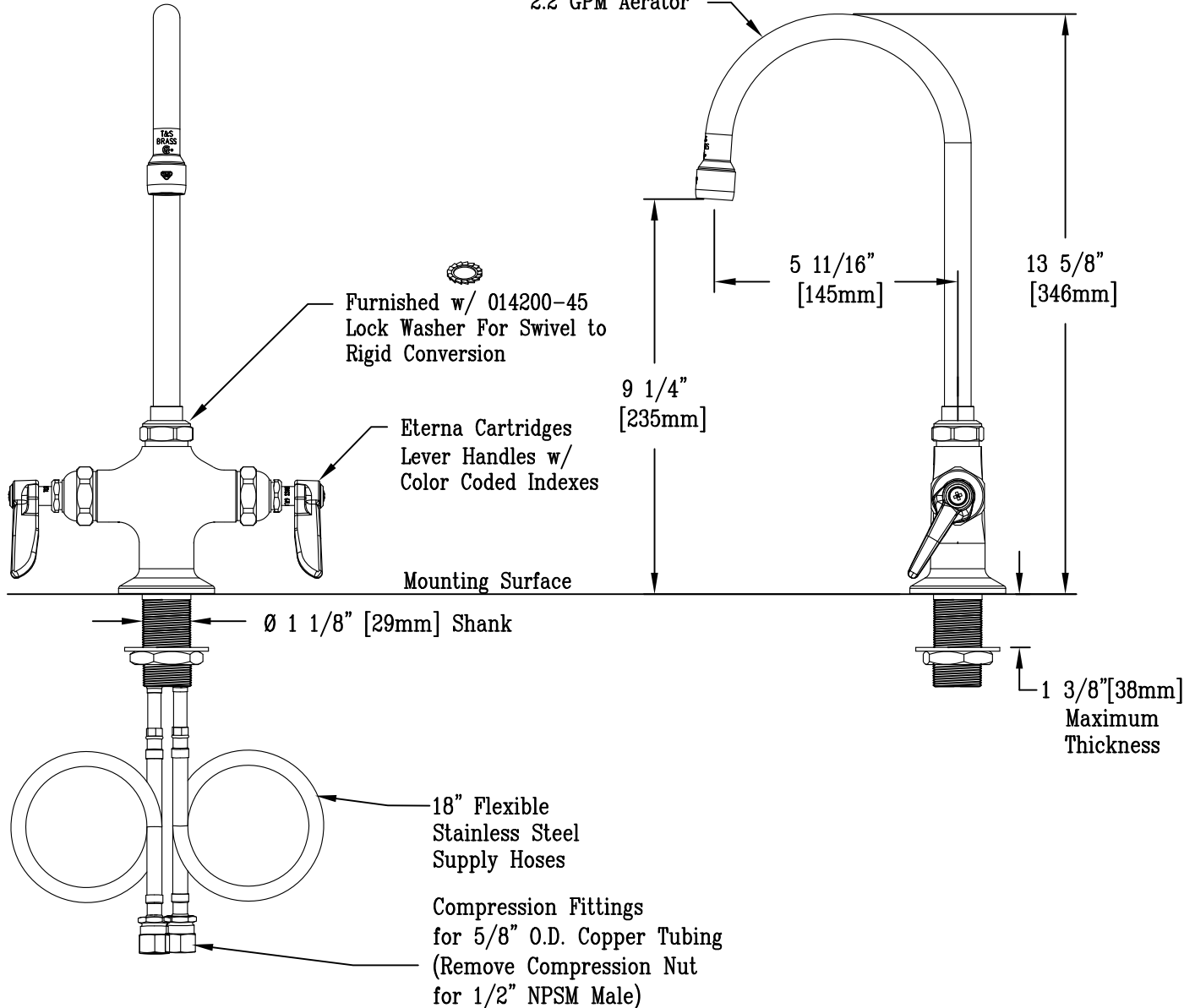
Architect/Engineer Approval:

Notes:



ADA COMPLIANT

Swivel Gooseneck w/
B-0199-01
2.2 GPM Aerator



Note: Rough-In Requirements
Ø 1 1/4" [32mm] Mounting Hole

Product Description:
Double Pantry Mixing Faucet, Swivel Gooseneck
2.2 Aerator, Lever Handles & 18" Flexible Stainless Steel
Supply Hoses w/ 1/2" NPT Male Inlets

Drawn:

JRM

Checked

DHL

Scale:

1 : 4

Approved

JHB

Date:

01/09/15



T&S BRASS AND BRONZE WORKS, INC.

2 Saddleback Cove / P.O. Box 1088
Travelers Rest, SC 29690

Model No.

B-0301-01-QT

Item No.

Travelers Rest, SC: 800-476-4103 • Simi Valley, CA: 800-423-0150 • Fax: 864-834-3518 • www.tsbrass.com

This Space for Architect/Engineer Approval

Job Name _____ Date _____

Model Specified _____ Quantity _____

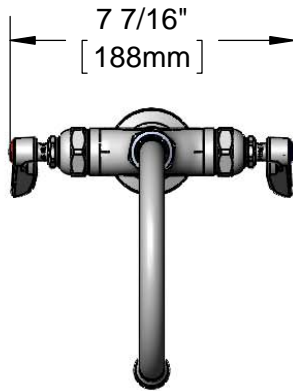
Customer/Wholesaler _____

Contractor _____

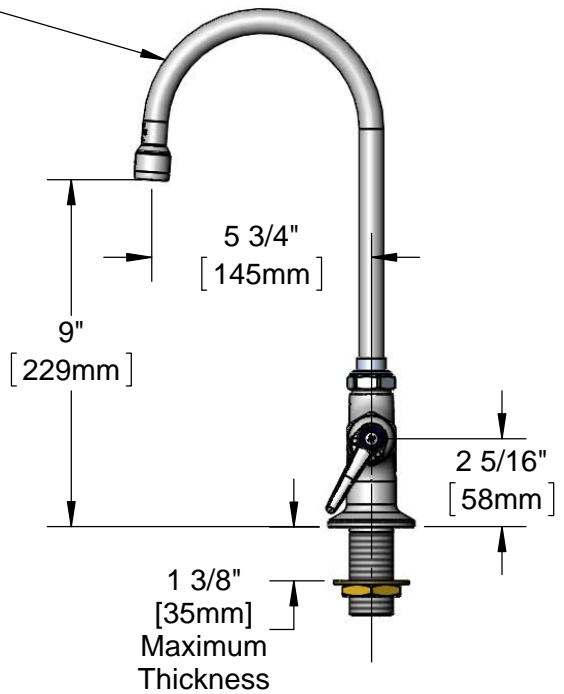
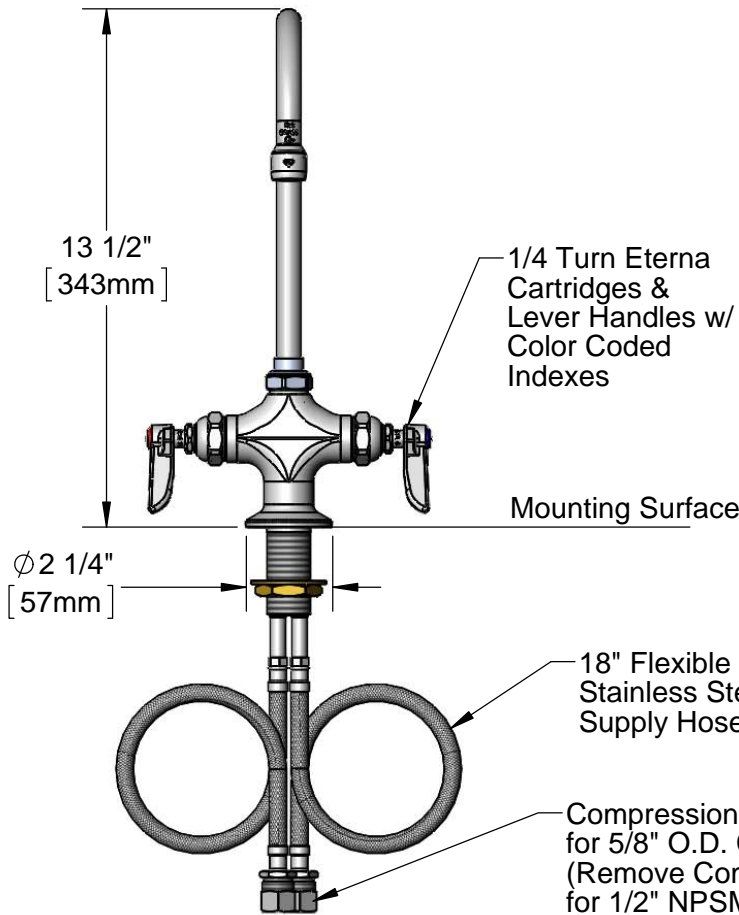
Architect/Engineer _____



ADA Compliant



Swivel Gooseneck w/
B-0199-01
2.2 GPM Aerator.
Converts to rigid with
furnished 014200-45
lock washer.



Rough-in Requirement:
Ø 1 1/2" [38mm] Mounting Hole

Product Specifications:
Single Hole Deck Mount Mixing Faucet, Quarter Turn Eterna Cartridges,
Swivel Gooseneck, 2.2 GPM Aerator, Lever Handles & 18" Flexible Stainless
Steel Supply Hoses w/ 1/2" NPSM Male Inlets

Product Compliance:
ASME A112.18.1 / CSA B125.1
NSF 61 - Section 9
NSF 372 (Low Lead Content)
ANSI A117.1 (ADA)



T&S BRASS AND BRONZE WORKS, INC.

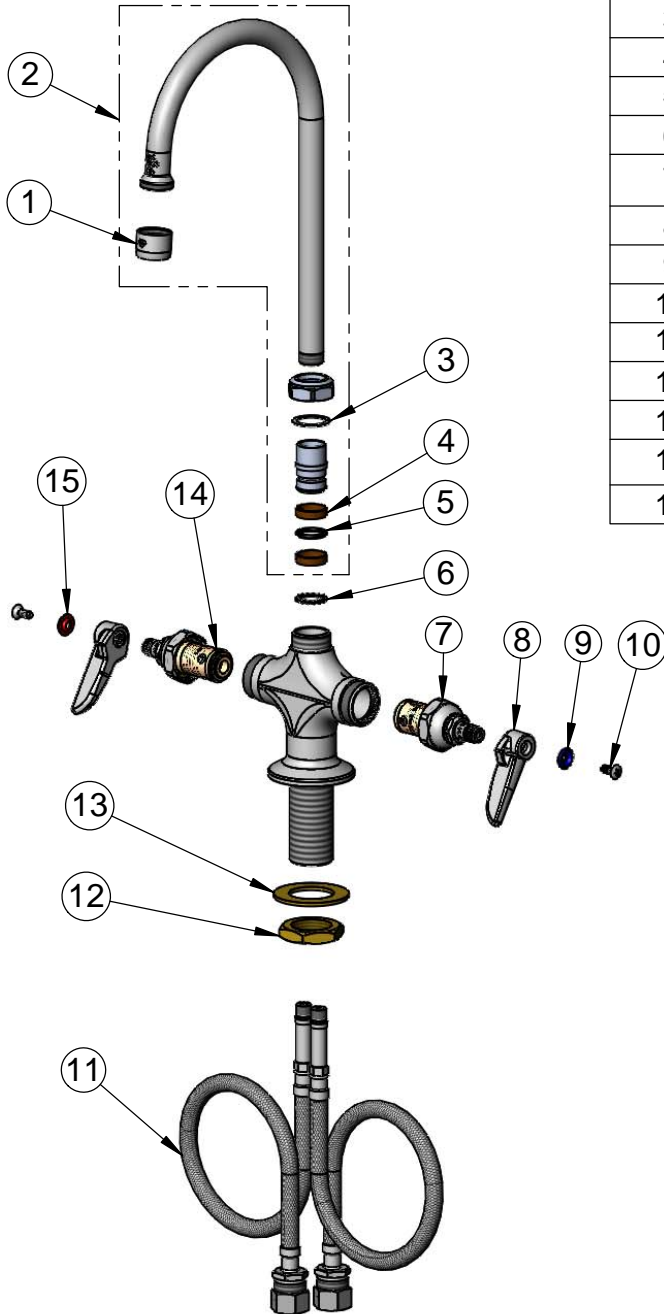
2 Saddleback Cove / P.O. Box 1088
Travelers Rest, SC 29690

Model No.

B-0301-01-QT

Item No.

Travelers Rest, SC: 800-476-4103 • Simi Valley, CA: 800-423-0150 • Fax: 864-834-3518 • www.tsbrass.com



ITEM NO.	SALES NO.	DESCRIPTION
1	B-0199-01	2.2 GPM Aerator, 55/64"-27 UN Female
2	133X-AER	133X Swivel Gooseneck w/ Aerator
3	009538-45	Swivel Washer
4	011429-45	Swivel Sleeves (2)
5	001074-45	O-Ring
6	014200-45	Star Washer, Anti-Rotation
7	005959-40QT	1/4 Turn Eterna Cartridge, LTC
8	001638-45	Lever Handle
9	001660-45	Blue Index-CW
10	000922-45	Lever Handle Screw
11	012534-45	18" Flexible Supply Hose (2)
12	000965-45	Lock Nut
13	002290-45	Lock Washer
14	005960-40QT	1/4 Turn Eterna Cartridge, RTC
15	001661-45	Red Index-HW

Product Specifications:

Single Hole Deck Mount Mixing Faucet, Quarter Turn Eterna Cartridges, Swivel Gooseneck, 2.2 GPM Aerator, Lever Handles & 18" Flexible Stainless Steel Supply Hoses w/ 1/2" NPSM Male Inlets

Product Compliance:

ASME A112.18.1 / CSA B125.1
NSF 61 - Section 9
NSF 372 (Low Lead Content)
ANSI A117.1 (ADA)



T&S BRASS AND BRONZE WORKS, INC.

2 SADDLEBACK COVE / P.O. BOX 1088 / TRAVELERS REST, SC 29690

PHONE 800-476-4103 - FAX 864- 834-3518

Model No.

B-0302

RELIABILITY
BUILT IN

Job Name:

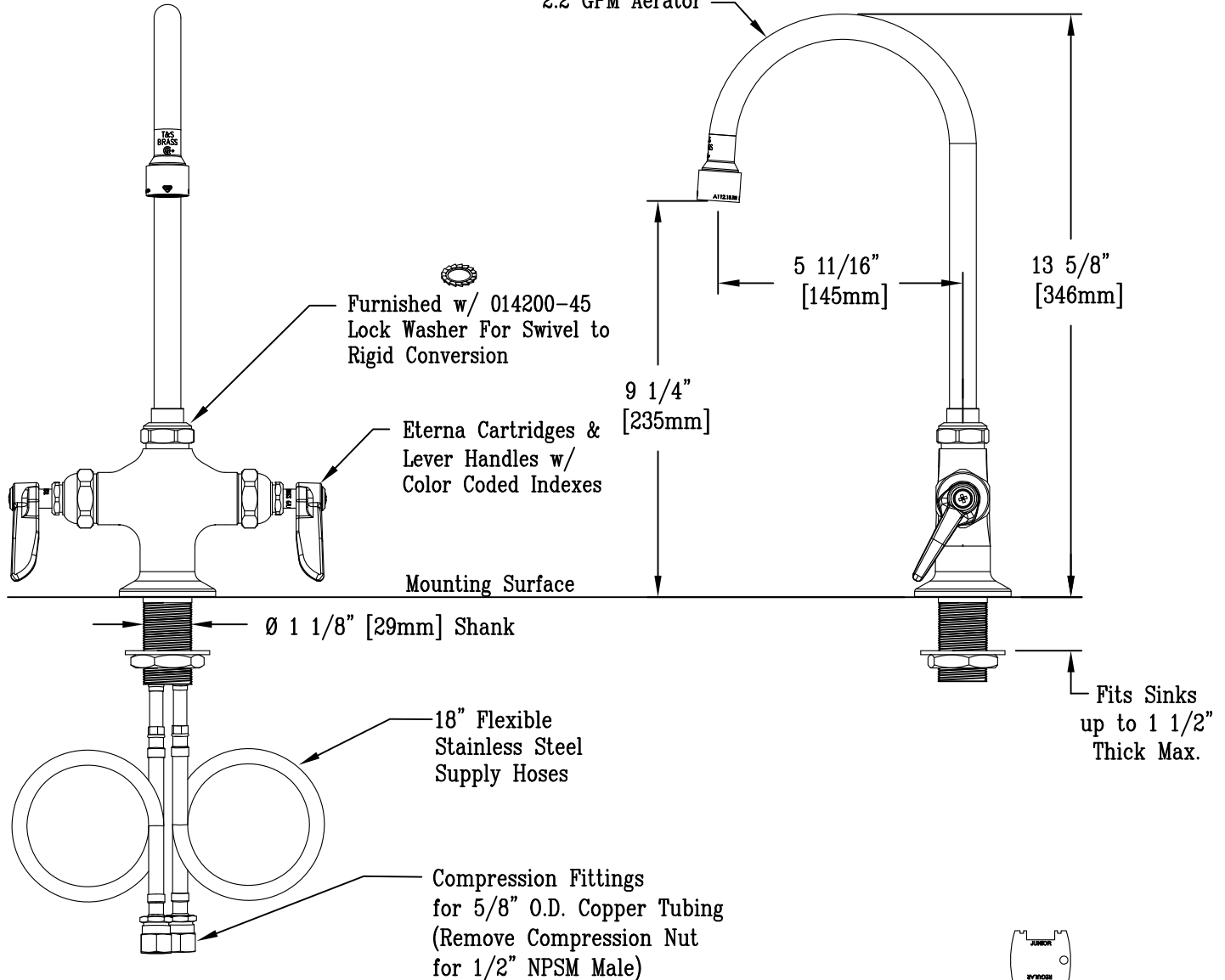
Architect/Engineer Approval:

Notes:



ADA COMPLIANT

Swivel Gooseneck w/
B-0199-06
Vandal Resistant
2.2 GPM Aerator



Rough-In Requirement:
Ø 1 1/2" [38mm] Mounting Hole

Product Description:
Double Pantry Mixing Faucet, Eterna Cartridges, Swivel Gooseneck w/ Vandal Resistant 2.2 Aerator, Lever Handles & 18" Flexible Stainless Steel Supply Hoses w/ 1/2" NPT Male Inlets

Drawn:

JRM

Checked

DHL

Scale:

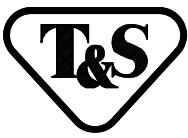
1 : 4

Approved

JHB

Date:

01/09/15



T&S BRASS AND BRONZE WORKS, INC.

2 SADDLEBACK COVE / P.O. BOX 1088 / TRAVELERS REST, SC 29690

PHONE 800-476-4103 - FAX 864- 834-3518

Model No.

B-0301-VR

**RELIABILITY
BUILT IN**

Job Name:

Architect/Engineer Approval:

Notes:



ADA COMPLIANT

133X
STYLE SWIVEL GOOSENECK w/
B-0199-06
2.2 GPM VANDAL RESISTANT AERATOR

13 3/8"
[340mm]

5 3/4"
[145mm]

8 15/16"
[227mm]

Eterna Cartridges w/ Spring
Checks & Lever Handles
w/Vandal Resistant Screws &
Color Coded Indexes

Threaded Anti-Rotation
Screws may Be Inserted
In Any (2) of (4) Positions
Preventing Twisting of
Faucet

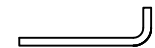
Anti-Rotation Screws Set
Into Shank Lock Washer &
Are Visible From Below

1 1/8" ϕ [29mm]
Fits Sinks Up To
1 3/8" [35mm]
Thick

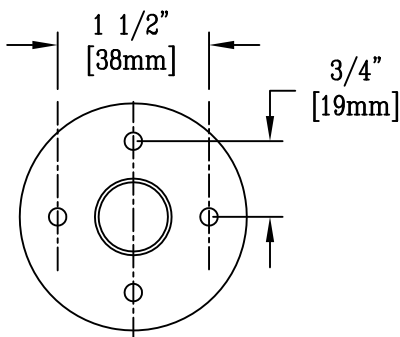
18" Flexible
Stainless Steel
Supply Hoses

Compression Fittings
for 5/8" O.D. Copper Tubing
(Remove Compression Nut
for 1/2" NPSM Male)

Hex Key
Supplied



Vandal Resistant
Aerator Key



Bottom View
Scale : 1:2

Rough-In Requirement:
 ϕ 1 1/2" [38mm] Mounting Hole

Product Description:
Single Hole Deck Mount Mixing Faucet w/ VR Lever Handles,
Swivel Gooseneck w/ VR Aerator, Anti-Rotation Countertop Screws &
18" Flexible Stainless Steel Supply Hoses w/ 1/2" NPT Male Inlets

Drawn:

JRM

Checked

DHL

Scale:

1 : 4

Approved

JHB

Date:

01/09/15



T&S BRASS AND BRONZE WORKS, INC.

2 Saddleback Cove / P.O. Box 1088
Travelers Rest, SC 29690

Model No.

B-0301-WH4

Item No.

Travelers Rest, SC: 800-476-4103 • Simi Valley, CA: 800-423-0150 • Fax: 864-834-3518 • www.tsbrass.com

This Space for Architect/Engineer Approval

Job Name _____ Date _____

Model Specified _____ Quantity _____

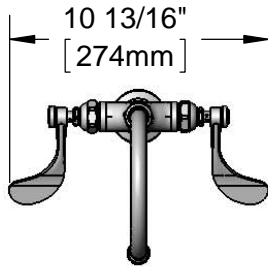
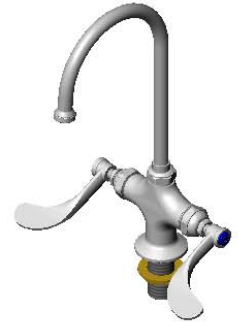
Customer/Wholesaler _____

Contractor _____

Architect/Engineer _____



ADA Compliant



133X
Swivel Gooseneck
w/ Stream Regulator Outlet

5 11/16"
[145mm]

Eterna Cartridges &
4" Wrist Action Handles
w/ Color Coded Indexes

9 7/16"
[240mm]

13 1/2"
[343mm]

Mounting Surface

Ø 1 1/8"
[29mm]

1 3/8" [35mm]
Maximum
Thickness

Ø 2 1/4"
[57mm]
Base

18" Flexible
Stainless Steel
Supply Hoses

Compression Fittings
for 5/8" O.D. Copper Tubing
(Remove Compression Nut
for 1/2" NPSM Male)

Rough-In Requirement:
Ø 1 1/2" [38mm] Mounting Hole

Product Specifications:

Single Hole Deck Mount Mixing Faucet w/ Eterna Cartridges, Swivel Gooseneck w/ Stream Regulator Outlet, 4" Wrist Action Handles, & 18" Stainless Steel Supply Hoses w/ 1/2" NPSM Male Inlets

Drawn

JRM

Checked

DHL

Approved

JHB

Scale:

1:8

Date:

06/05/15



T&S BRASS AND BRONZE WORKS, INC.

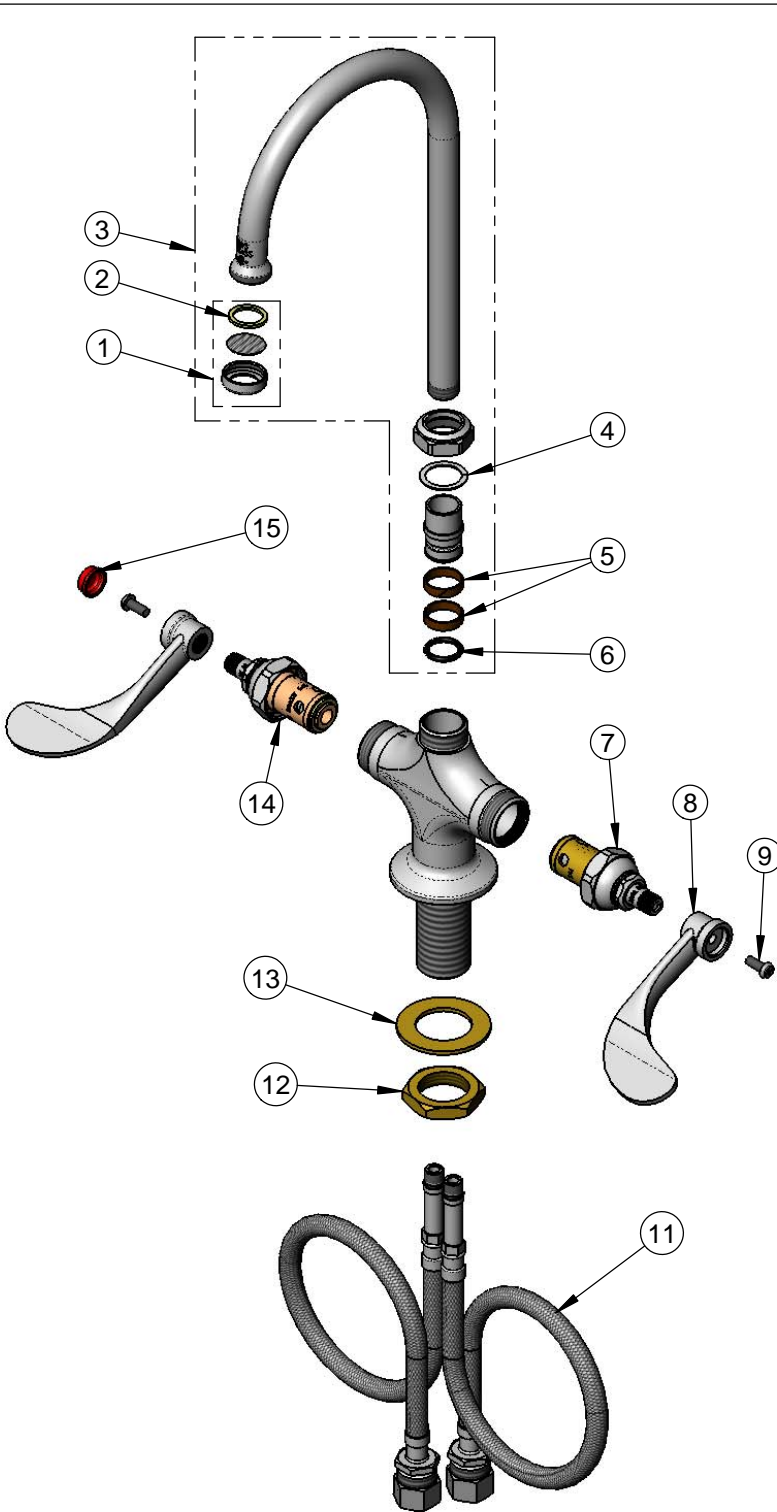
2 Saddleback Cove / P.O. Box 1088
Travelers Rest, SC 29690

Model No.

B-0301-WH4

Item No.

Travelers Rest, SC: 800-476-4103 • Simi Valley, CA: 800-423-0150 • Fax: 864-834-3518 • www.tsbrass.com



ITEM NO.	SALES NO.	DESCRIPTION
1	B-PT	Stream Regulator Outlet
2	001048-45	Nozzle Tip Washer
3	133X	Swivel Gooseneck w/ B-PT
4	009538-45	Swivel Washer
5	011429-45	Swivel Sleeves (2)
6	001074-45	O-Ring
7	006009-40	Eterna Cartridge LTC w/ Teflon Seat
8	B-WH4	4" Wrist Action Handle
9	000925-45	Lab Handle Screw
10	001686-45	Blue Index - CW
11	012534-45	18" Flexible Supply Hose (2)
12	000965-45	Lock Nut
13	002290-45	Lock Washer
14	006010-40	Eterna Cartridge RTC w/ Teflon Seat
15	001194-45	Red Index - HW

Product Specifications:
Single Hole Deck Mount Mixing Faucet w/ Eterna Cartridges,
Swivel Gooseneck w/ Stream Regulator Outlet, 4" Wrist Action
Handles, & 18" Stainless Steel Supply Hoses
w/ 1/2" NPSM Male Inlets

Drawn JRM	Checked DHL	Approved JHB
Scale: NTS		Date: 06/05/15



T&S BRASS AND BRONZE WORKS, INC.

2 SADDLEBACK COVE / P.O. BOX 1088 / TRAVELERS REST, SC 29690

PHONE 800-476-4103 - FAX 864- 834-3518

Model No.

B-0317

RELIABILITY
BUILT IN

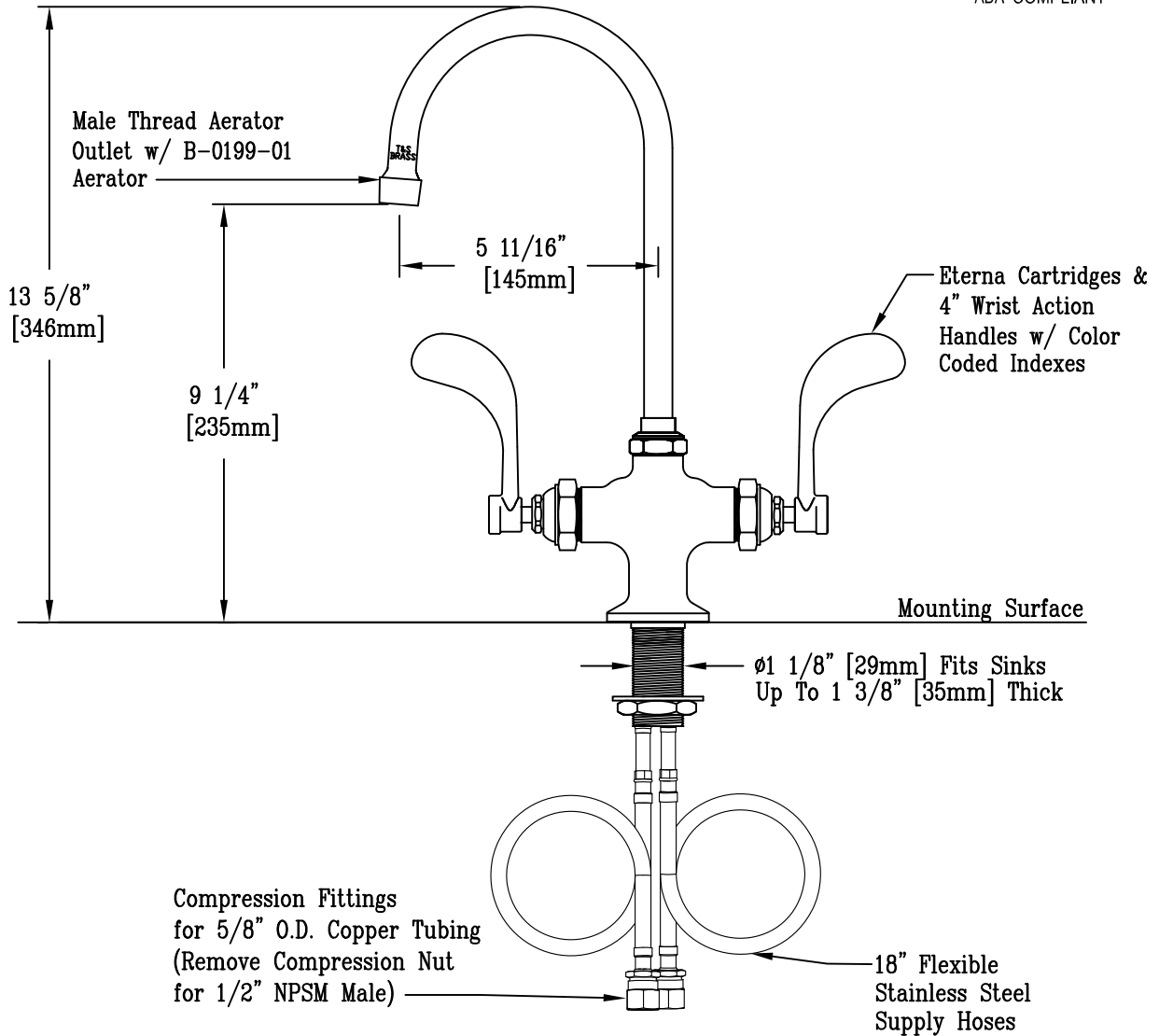
Job Name:

Architect/Engineer Approval:

Notes:



ADA COMPLIANT



Rough-In Requirements:

Ø1 1/2" [38mm] Mounting Hole

Product Description:

Double Pantry Mixing Faucet, Eterna Cartridges, 4" Wrist Action Handles, Swivel Gooseneck, 2.2 GPM Aerator & 18" Flexible Stainless Steel Supply Hoses w/ 1/2" NPT Male Inlets

Drawn:

JRM

Checked

DHL

Scale:

1 : 4

Approved

JHB

Date:

01/09/15