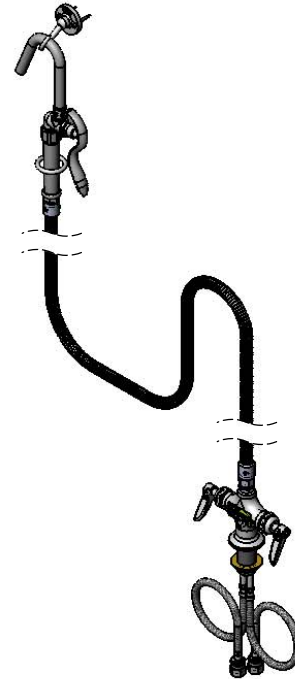
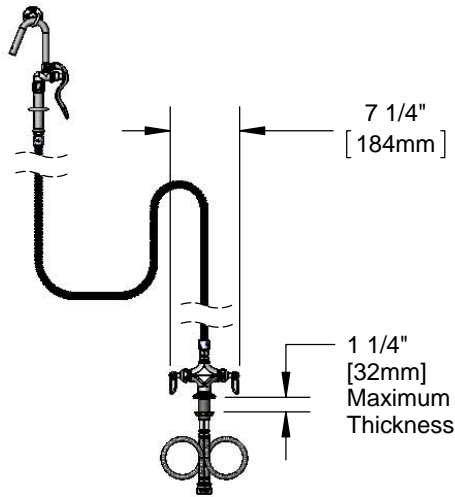




Architect/Engineering Specifications:

Single hole deck mount mixing faucet with polished chrome plated brass body, rigid outlet adapter, 68" flexible stainless steel hose, heat resistant handle, self closing pot filler valve with hook nozzle, ceramic cartridges with check valves, lever handles, 18" flexible stainless steel supply hoses with 1/2" NPSM / 5/8" O.D. compression connections and wall hook. ASME A112.18.1 / CSA B125.1, NSF 61-Section 9 and NSF 372.

Job Name	_____
Model Specified	_____ Quantity _____
Variations Specified	_____
Date	_____



Features & Benefits:

- Single hole deck mount mixing faucet w/ polished chrome plated brass body
- Rigid to hose outlet adapter
- 68" flexible stainless steel hose w/ heat resistant gray handle and hold down ring
- Self closing pot filler valve with hook nozzle
- Cerama cartridges w/ check valves to prevent cross flow of water
- Lever handles w/ color coded indexes
- 18" flexible stainless steel supply hoses with 1/2" NPSM / 5/8" O.D. compression connections
- Wall hook holds spray valve when not in use
- Material: Polished chrome plated brass body and spray valve body, stainless steel hose and chrome plated metal handles.

Product Compliance:

- ASME A112.18.1 / CSA B125.1
- NSF 61 - Section 9
- NSF 372 (Low Lead Content)



Warranty: One Year (Limited)

- Cerama Cartridge: Lifetime (Limited)

Performance Data:

- Pressure: 20 - 125 psi
- Temperature: 40°F - 140°F
- Flow Rate: 5.27 GPM @ 60 psi

Optional Handles

- 4" Wrist Action
- Lever (Standard)
- 4-Arm

Optional Cartridges With Checks

- Quarter-Turn Cerama w/ Check Valve (Standard)
- Quarter-Turn Eterna w/ Spring Check

