



T&S BRASS AND BRONZE WORKS, INC.
 2 Saddleback Cove / P.O. Box 1088
 Travelers Rest, SC 29690

Model No.
B-0300-102A

Item No.

Travelers Rest, SC: 800-476-4103 • Simi Valley, CA: 800-423-0150 • Fax: 864-834-3518 • www.tsbrass.com

This Space for Architect/Engineer Approval

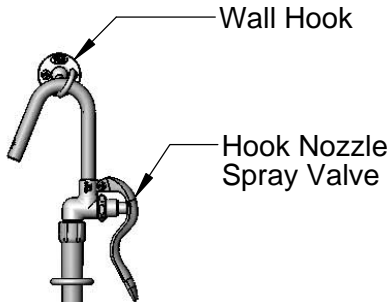
Job Name _____ Date _____

Model Specified _____ Quantity _____

Customer/Wholesaler _____

Contractor _____

Architect/Engineer _____



68" Flexible Stainless Steel Hose



Adapter

7 1/2" [191mm]

2 5/16" [58mm]

Mounting Surface

18" Flexible Stainless Steel Supply Hose

Compression Fittings for 5/8" O.D. Copper Tubing (Remove Compression Nut for 1/2" NPSM Male)

Eterna Cartridges w/ Spring Checks & Lever Handles w/ Color Coded Indexes

1 1/4" [32mm] Maximum Thickness

Rough-In Requirement:
 ϕ 1 1/2" [38mm] Mounting Hole

Product Specifications:
 Single Hole Deck Mount Mixing Faucet, Eterna Cartridges w/ Spring Checks, Lever Handles, 68" Flexible Stainless Steel Hose, Hook Spray Valve & (2) Flexible Stainless Steel Supply Hoses

Product Compliance:
 ASME A112.18.1 / CSA B125.1
 NSF 61 - Section 9
 NSF 372 (Low Lead Content)



T&S BRASS AND BRONZE WORKS, INC.

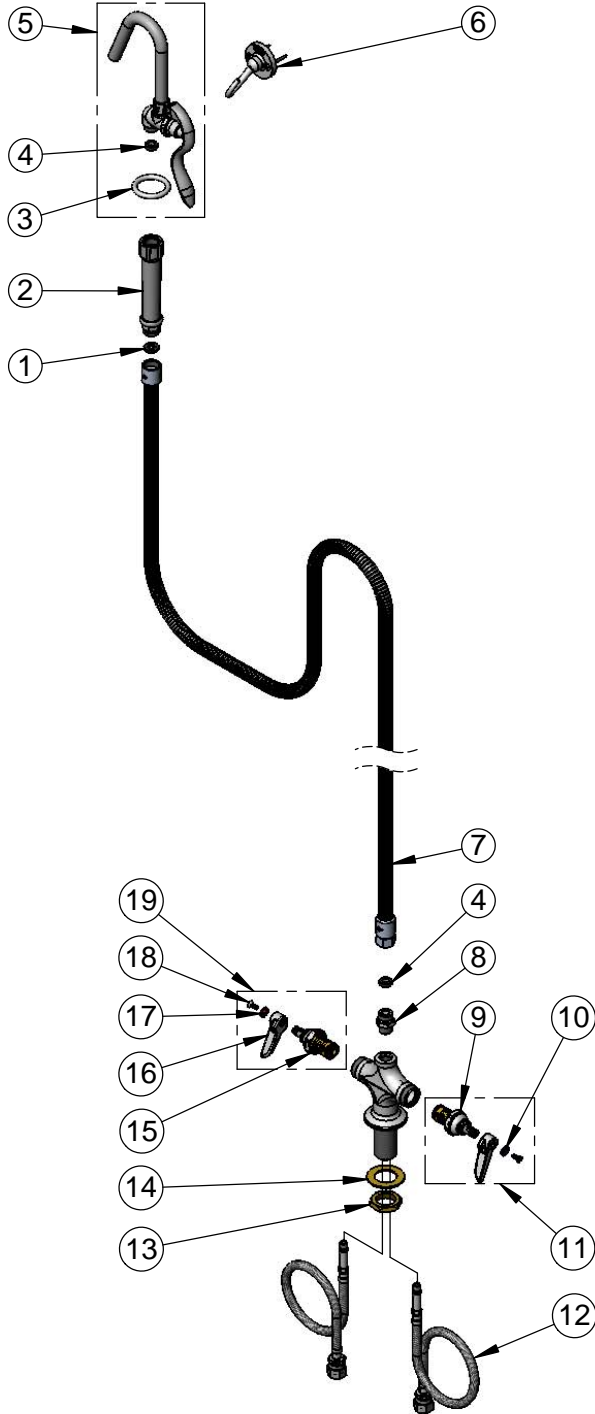
2 Saddleback Cove / P.O. Box 1088
Travelers Rest, SC 29690

Model No.

B-0300-102A

Item No.

Travelers Rest, SC: 800-476-4103 • Simi Valley, CA: 800-423-0150 • Fax: 864-834-3518 • www.tsbrass.com



ITEM NO.	SALES NO.	DESCRIPTION
1	001014-45	Washer, B-0100 Hose Barrel
2	002987-40	Grip Handle
3	000907-45	Spray Valve Hold Down Ring
4	010476-45	#27 Washer
5	002851-40	Hook Nozzle & Spray Valve
6	B-0104-D	Dummy Wall Hook Bracket
7	B-0068-H2A	68" Flexible Stainless Steel Hose, Less Handle
8	053A	Adapter, 3/8" NPT Male
9	012442-40	Eterna Cartridge, LTC w/ Spring Check
10	001660-45	Blue Index-CW
11	002711-40	Eterna Cartridge, LTC w/ Spring Check, Handle, Index & Screw
12	012534-45	18" Flexible Supply Hose (2)
13	000965-45	Lock Nut
14	002290-45	Lock Washer
15	012443-40	Eterna Cartridge, RTC w/ Spring Check
16	001638-45	Lever Handle
17	001661-45	Red Index-HW
18	000922-45	Lever Handle Screw
19	002712-40	Eterna Cartridge, RTC w/ Spring Check, Handle, Index & Screw

Product Specifications:

Single Hole Deck Mount Mixing Faucet, Eterna Cartridges w/ Spring Checks, Lever Handles, 68" Flexible Stainless Steel Hose, Hook Spray Valve & (2) Flexible Stainless Steel Supply Hoses

Product Compliance:

ASME A112.18.1 / CSA B125.1
NSF 61 - Section 9
NSF 372 (Low Lead Content)



T&S BRASS AND BRONZE WORKS, INC.
 2 Saddleback Cove / P.O. Box 1088
 Travelers Rest, SC 29690

Model No.
B-0300-102A-CR

Item No.

Travelers Rest, SC: 800-476-4103 • Simi Valley, CA: 800-423-0150 • Fax: 864-834-3518 • www.tsbrass.com

This Space for Architect/Engineer Approval

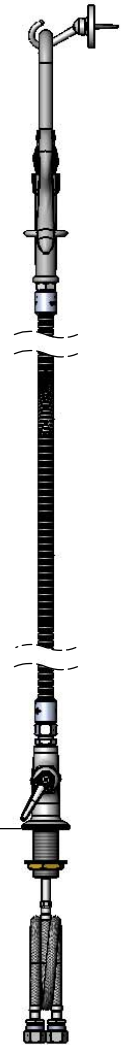
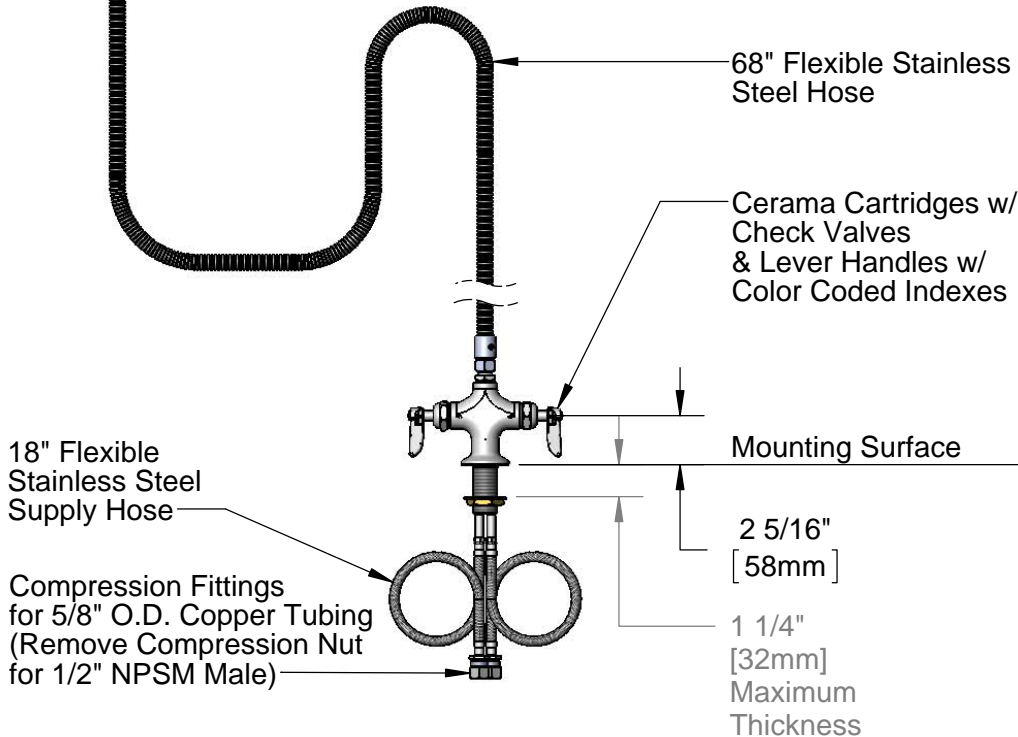
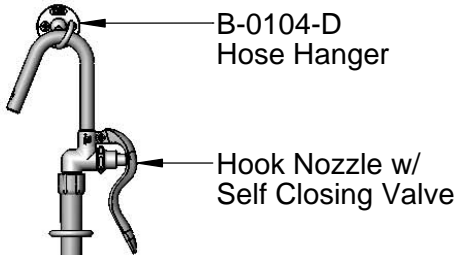
Job Name _____ Date _____

Model Specified _____ Quantity _____

Customer/Wholesaler _____

Contractor _____

Architect/Engineer _____



Rough-In Requirement:
 Ø 1 1/2" [38mm] Mounting Hole

Product Specifications:
 Single Hole Deck Mount Mixing Faucet, Quarter-Turn Cerama Cartridges w/
 Check Valves, Lever Handles, Spray Valve w/ Hook Nozzle, 68" Flexible
 Stainless Steel Hose & 18" Flexible Stainless Steel Supply Hoses w/ 1/2" NPT
 Male Inlets

Product Compliance:
 ASME A112.18.1 / CSA B125.1
 NSF 61 - Section 9
 NSF 372 (Low Lead Content)



T&S BRASS AND BRONZE WORKS, INC.

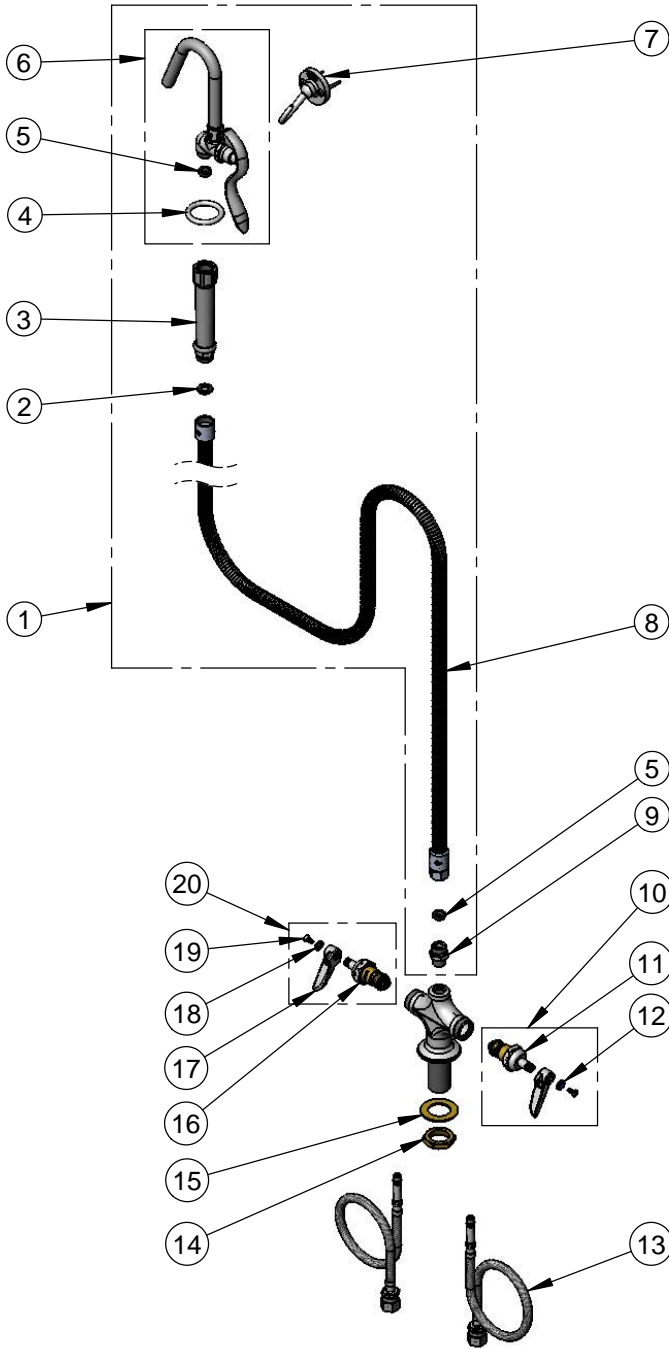
2 Saddleback Cove / P.O. Box 1088
Travelers Rest, SC 29690

Model No.

B-0300-102A-CR

Item No.

Travelers Rest, SC: 800-476-4103 • Simi Valley, CA: 800-423-0150 • Fax: 864-834-3518 • www.tsbrass.com



ITEM NO.	SALES NO.	DESCRIPTION
1	B-0102-A	Hook Nozzle w/ Self-Closing Valve
2	001014-45	Washer, B-0100 Hose Barrel
3	002987-40	Grip Handle
4	000907-45	Spray Valve Hold Down Ring
5	010476-45	#27 Washer
6	002851-40	Hook Nozzle & Spray Valve
7	B-0104-D	Dummy Wall Hook Bracket
8	B-0068-H2A	68" Flexible Stainless Steel Hose, Less Handle
9	053A	Adapter, 3/8" NPT Male
10	012447-25	Quarter-Turn Cerama Cartridge, LTC w/ Check Valve, Handle, Index & Screw
11	012395-25	Quarter-Turn Cerama Cartridge, LTC w/ Check Valve
12	001660-45	Blue Index-CW
13	012534-45	18" Flexible Supply Hose (2)
14	000965-45	Lock Nut
15	002290-45	Lock Washer
16	012394-25	Quarter-Turn Cerama Cartridge, RTC w/ Check Valve
17	001638-45	Lever Handle
18	001661-45	Red Index-HW
19	000922-45	Lever Handle Screw
20	012446-25	Quarter-Turn Cerama Cartridge, RTC w/ Check Valve, Handle, Index & Screw

Product Specifications:

Single Hole Deck Mount Mixing Faucet, Quarter-Turn Cerama Cartridges w/ Check Valves, Lever Handles, Spray Valve w/ Hook Nozzle, 68" Flexible Stainless Steel Hose & 18" Flexible Stainless Steel Supply Hoses w/ 1/2" NPT Male Inlets

Product Compliance:

ASME A112.18.1 / CSA B125.1
NSF 61 - Section 9
NSF 372 (Low Lead Content)



T&S BRASS AND BRONZE WORKS, INC.

2 Saddleback Cove / P.O. Box 1088
Travelers Rest, SC 29690



REG. #A2601
ISO #9001

Model No.

B-0300-PF

Item No.

Travelers Rest, SC: 800-476-4103 • Simi Valley, CA: 800-423-0150 • Fax: 864-834-3518 • www.tsbrass.com

EPAct2005 NON-COMPLIANT

This Space for Architect/Engineer Approval

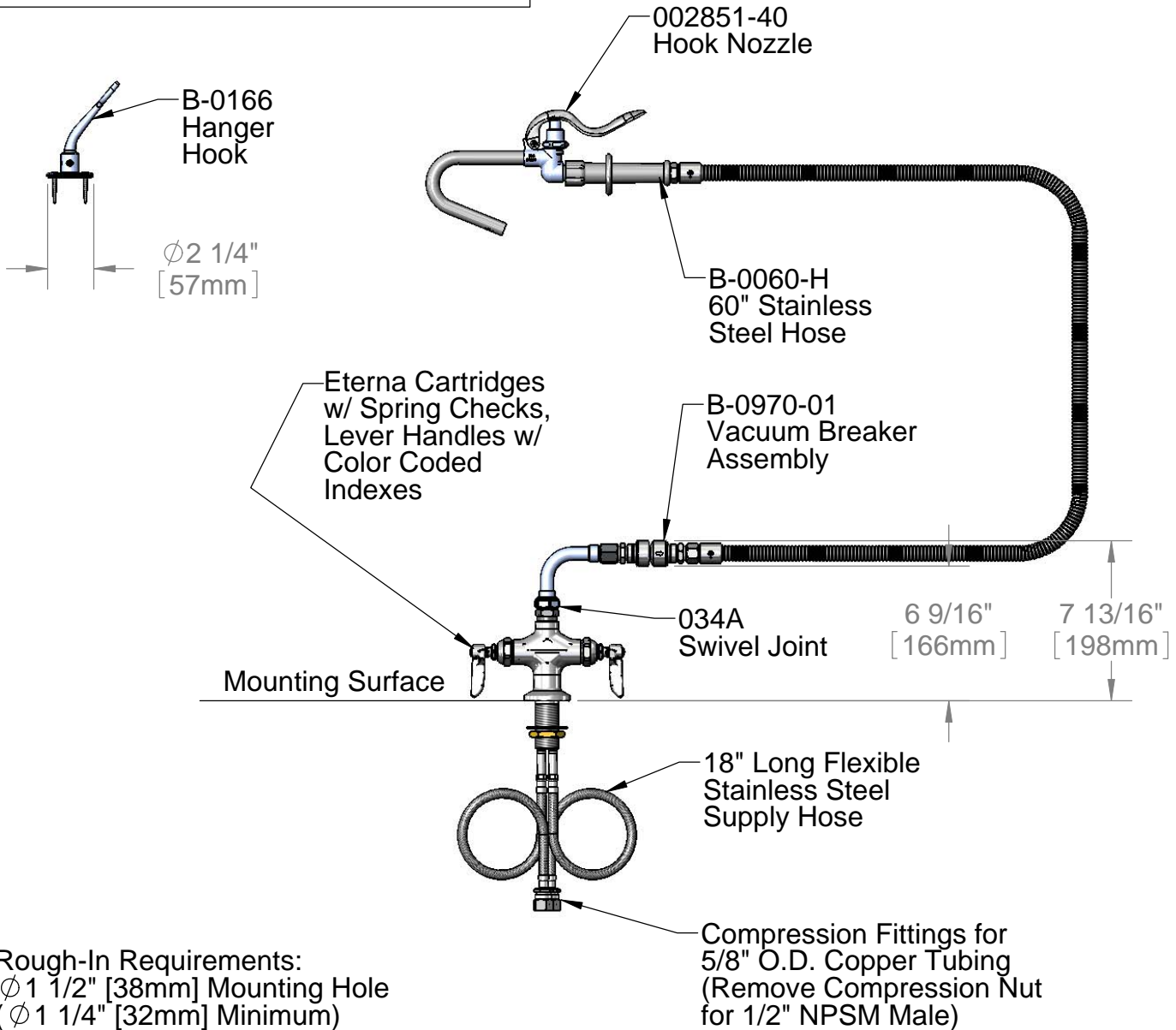
Job Name _____ Date _____

Model Specified _____ Quantity _____

Customer/Wholesaler _____

Contractor _____

Architect/Engineer _____



Rough-In Requirements:
 $\phi 1 \frac{1}{2}$ " [38mm] Mounting Hole
($\phi 1 \frac{1}{4}$ " [32mm] Minimum)

Product Specifications:

Double Pantry Deck Mount Faucet, Eterna Cartridges w/ Spring Checks, Pail Hook Nozzle, 60" Flex Hose, Vacuum Breaker, & Flexible Supply Hoses

Drawn

KJG

Checked

DMH

Approved

JHB

Scale:

1:8

Date:

04/08/11



T&S BRASS AND BRONZE WORKS, INC.

2 Saddleback Cove / P.O. Box 1088
Travelers Rest, SC 29690



REG. #A2601
ISO #9001

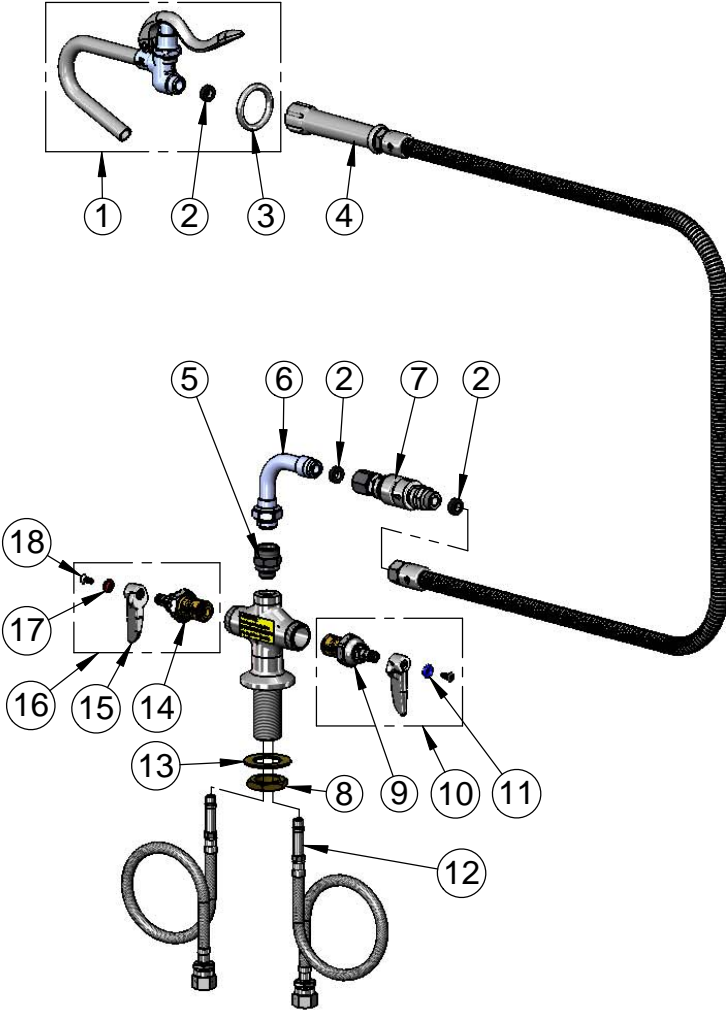
Model No.

B-0300-PF

Item No.

Travelers Rest, SC: 800-476-4103 • Simi Valley, CA: 800-423-0150 • Fax: 864-834-3518 • www.tsbrass.com

ITEM NO.	SALES NO.	DESCRIPTION
1	002851-40	B-0187 Spray Valve & Hook Nozzle Asm
2	010476-45	#27 Washer
3	000907-45	Spray Valve Hold Down Ring
4	B-0060-H	60" Flex Hose Assembly
5	B-0412	Rigid to Swivel Adapter
6	034A	Hose Adapter Asm, 90 Deg.
7	B-0970-01	Vacuum Breaker
8	000965-45	Lock Nut
9	012442-40	Eterna Cartridge - LTC
10	002711-40	Cold Eterna Spindle Asm w/ Spring Check, Handle, Index & Screw
11	001660-45	Blue Index-CW
12	012534-45	Flexible Connector Hose (2)
13	002290-45	Lock Washer
14	012443-40	Eterna Cartridge - RTC
15	001638-45	Lever Handle
16	002712-40	Hot Eterna Spindle Asm w/ Spring Check, Handle, Index & Screw
17	001661-45	Red Index-HW
18	000922-45	Lever Handle Screw



Product Specifications:

Double Pantry Deck Mount Faucet, Eterna Cartridges w/ Spring Checks, Pail Hook Nozzle, 60" Flex Hose, Vacuum Breaker, & Flexible Supply Hoses

Drawn

KJG

Checked

DMH

Approved

JHB

Scale:

NTS

Date:

04/08/11