



T&S BRASS AND BRONZE WORKS, INC.

2 Saddleback Cove / P.O. Box 1088
Travelers Rest, SC 29690

Model No.

B-0262

Item No.

Travelers Rest, SC: 800-476-4103 • Simi Valley, CA: 800-423-0150 • Fax: 864-834-3518 • www.tsbrass.com



ADA Compliant

This Space for Architect/Engineer Approval

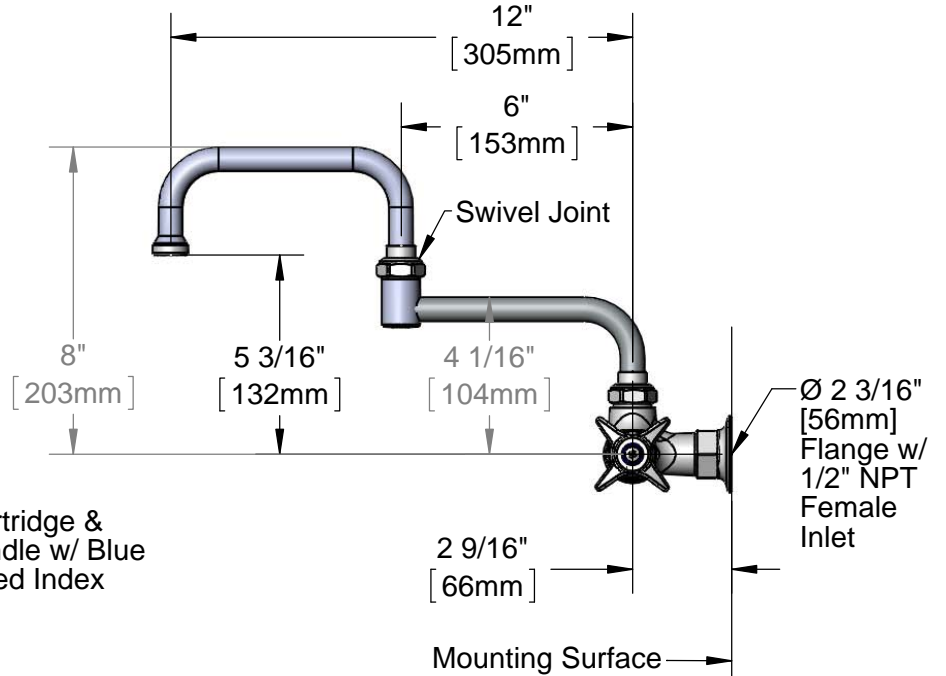
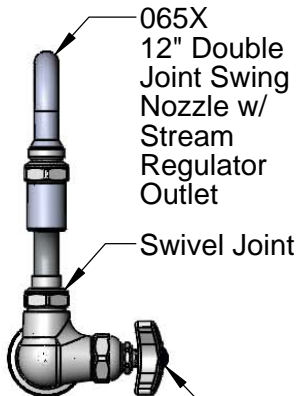
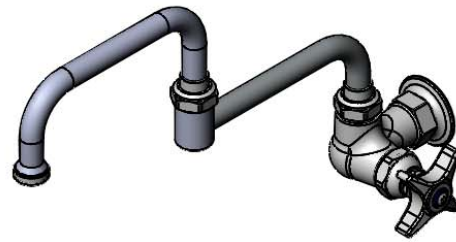
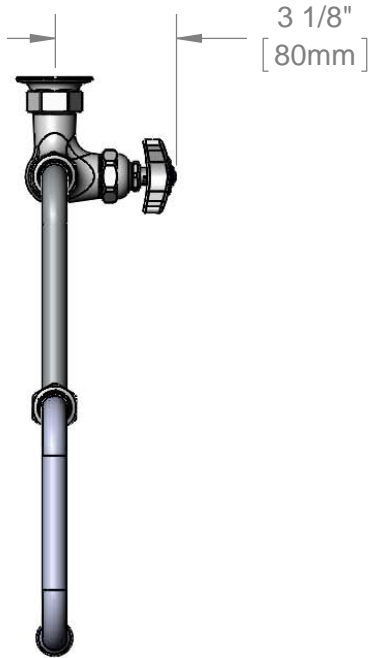
Job Name _____ Date _____

Model Specified _____ Quantity _____

Customer/Wholesaler _____

Contractor _____

Architect/Engineer _____



Product Specifications:

Single Hole Single Temperature Wall Mount Faucet, Eterna Cartridge, 4-Arm Handle, 12" Double Joint Swing Nozzle & 1/2" NPT Female Inlet

Drawn

DHL

Checked

DMH

Approved

JHB

Scale:

1:5

Date:

02/04/14

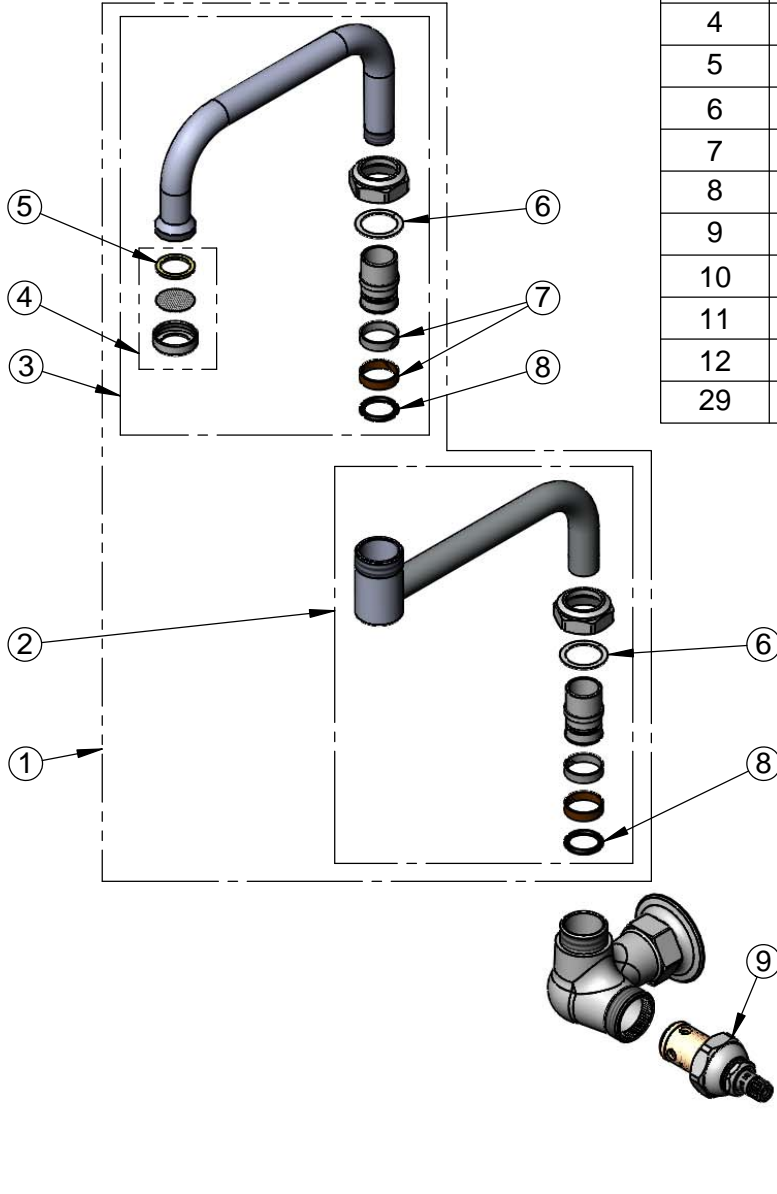


T&S BRASS AND BRONZE WORKS, INC.
 2 Saddleback Cove / P.O. Box 1088
 Travelers Rest, SC 29690

Model No.
B-0262

Item No.

Travelers Rest, SC: 800-476-4103 • Simi Valley, CA: 800-423-0150 • Fax: 864-834-3518 • www.tsbrass.com



ITEM NO.	SALES NO.	DESCRIPTION
1	066X	12" Double Joint Swing Nozzle
2	151X	6" Back Section
3	153X	6" Front Section
4	B-PT	Stream Regulator Outlet
5	001048-45	Nozzle Tip Washer
6	009538-45	Swivel Washer
7	011429-45	Swivel Sleeves (2)
8	001074-45	O-Ring
9	005960-40	Eterna Cartridge, RTC
10	002521-45	4-Arm Handle
11	001660-45	Blue Index-CW
12	000922-45	Lever Handle Screw
29	000718-25	Nut, Plated Packing

Product Specifications:
 Single Hole Single Temperature Wall Mount Faucet, Eterna Cartridge, 4-Arm Handle, 12" Double Joint Swing Nozzle & 1/2" NPT Female Inlet

Drawn DHL	Checked DMH	Approved JHB
Scale: NTS		Date: 02/04/14