



T&S BRASS AND BRONZE WORKS, INC.
 2 Saddleback Cove / P.O. Box 1088
 Travelers Rest, SC 29690

Model No.
B-0212

Item No.

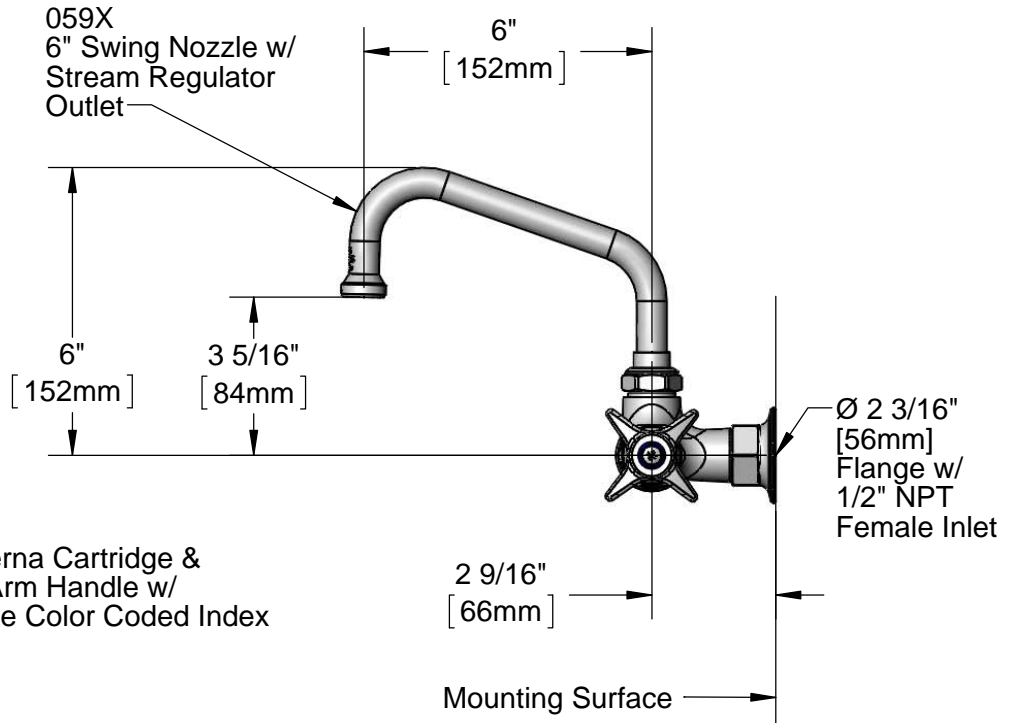
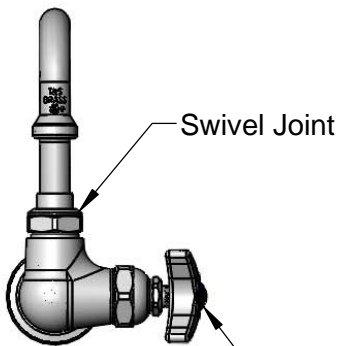
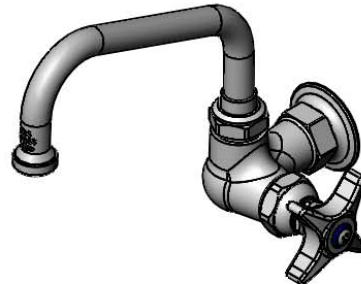
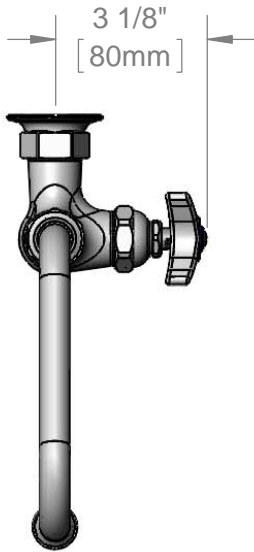
Travelers Rest, SC: 800-476-4103 • Simi Valley, CA: 800-423-0150 • Fax: 864-834-3518 • www.tsbrass.com

This Space for Architect/Engineer Approval

Job Name _____ Date _____
 Model Specified _____ Quantity _____
 Customer/Wholesaler _____
 Contractor _____
 Architect/Engineer _____



ADA Compliant



Product Specifications:
 Single Hole Single Temperature Wall Mount Faucet, 4-Arm Handle,
 Eterna Cartridge, 6" Swing Nozzle & 1/2" NPT Female Inlet

Drawn DHL	Checked DMH	Approved JHB
Scale: 1:4		Date: 02/04/14



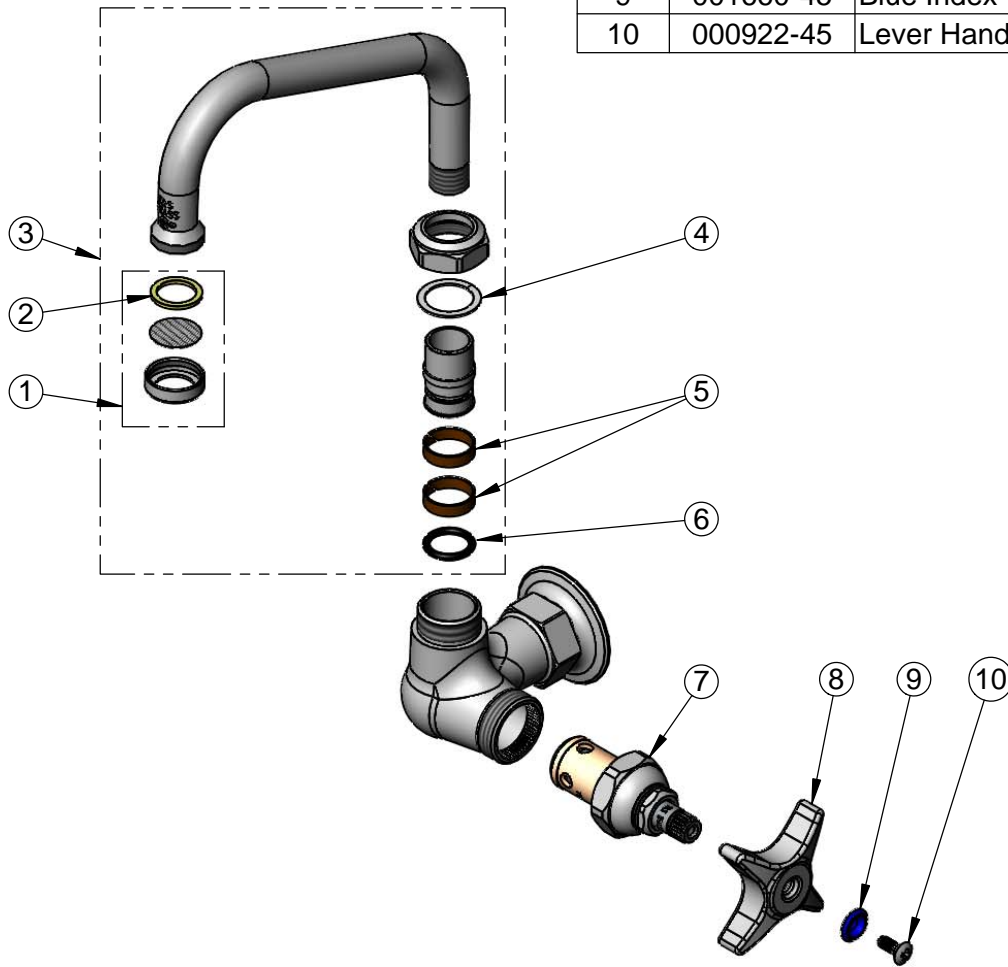
T&S BRASS AND BRONZE WORKS, INC.
 2 Saddleback Cove / P.O. Box 1088
 Travelers Rest, SC 29690

Model No.
B-0212

Item No.

Travelers Rest, SC: 800-476-4103 • Simi Valley, CA: 800-423-0150 • Fax: 864-834-3518 • www.tsbrass.com

ITEM NO.	SALES NO.	DESCRIPTION
1	B-PT	Stream Regulator Outlet
2	001048-45	Nozzle Tip Washer
3	059X	6" Swing Nozzle
4	009538-45	Swivel Washer
5	011429-45	Swivel Sleeves (2)
6	001074-45	O-Ring
7	005960-40	Eterna Cartridge, RTC
8	002521-45	4-Arm Handle
9	001660-45	Blue Index-CW
10	000922-45	Lever Handle Screw



Product Specifications:
 Single Hole Single Temperature Wall Mount Faucet, 4-Arm Handle,
 Eterna Cartridge, 6" Swing Nozzle & 1/2" NPT Female Inlet

Drawn DHL	Checked DMH	Approved JHB
Scale: NTS		Date: 02/04/14