



T&S BRASS AND BRONZE WORKS, INC.

2 Saddleback Cove / P.O. Box 1088
Travelers Rest, SC 29690

Model No.

B-0202

Item No.

Travelers Rest, SC: 800-476-4103 • Simi Valley, CA: 800-423-0150 • Fax: 864-834-3518 • www.tsbrass.com



ADA Compliant

This Space for Architect/Engineer Approval

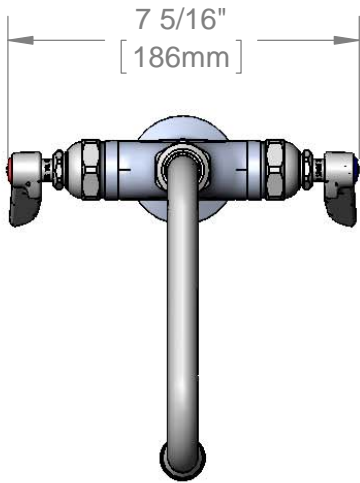
Job Name _____ Date _____

Model Specified _____ Quantity _____

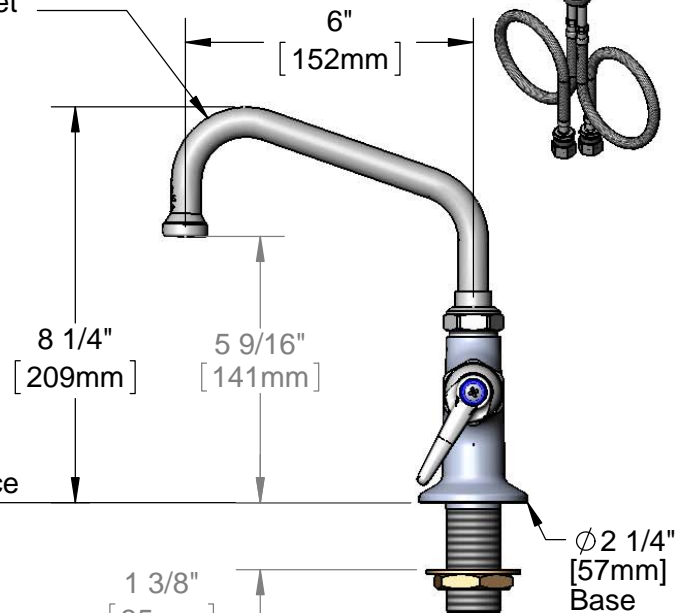
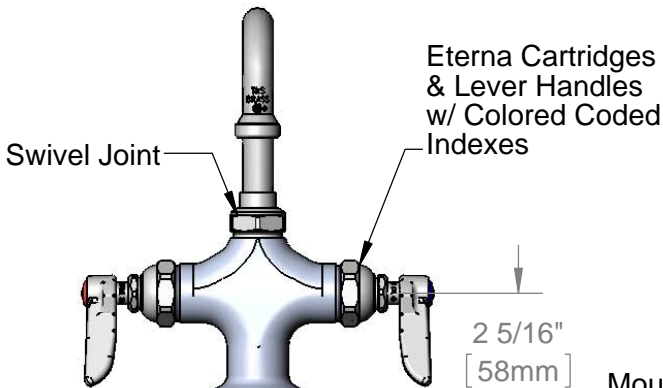
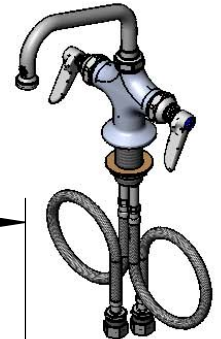
Customer/Wholesaler _____

Contractor _____

Architect/Engineer _____



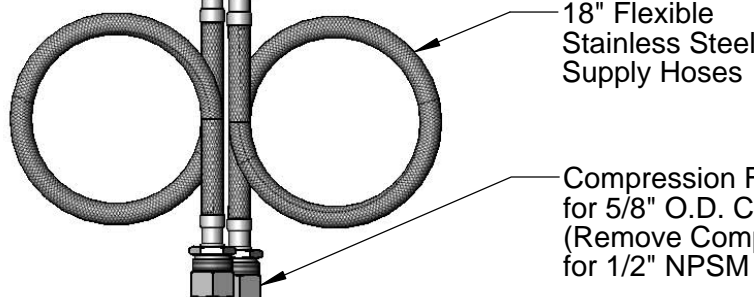
059X
6" Swing Nozzle w/
Stream Regulator
Outlet



Ø 1 1/8" [29mm]

Mounting Surface

1 3/8" [35mm]
Maximum
Thickness



18" Flexible
Stainless Steel
Supply Hoses

Compression Fittings
for 5/8" O.D. Copper Tubing
(Remove Compression Nut
for 1/2" NPSM Male)

Rough-In Requirement:
Ø 1 1/2" [38mm] Mounting Hole

Product Specifications:
Single Hole Deck Mount Mixing Faucet, Eterna Cartridges, Lever
Handles, 6" Swing Nozzle w/ Stream Regulator Outlet & 18" Flexible
Stainless Steel Supply Hoses w/ 1/2" NPSM Male Inlets

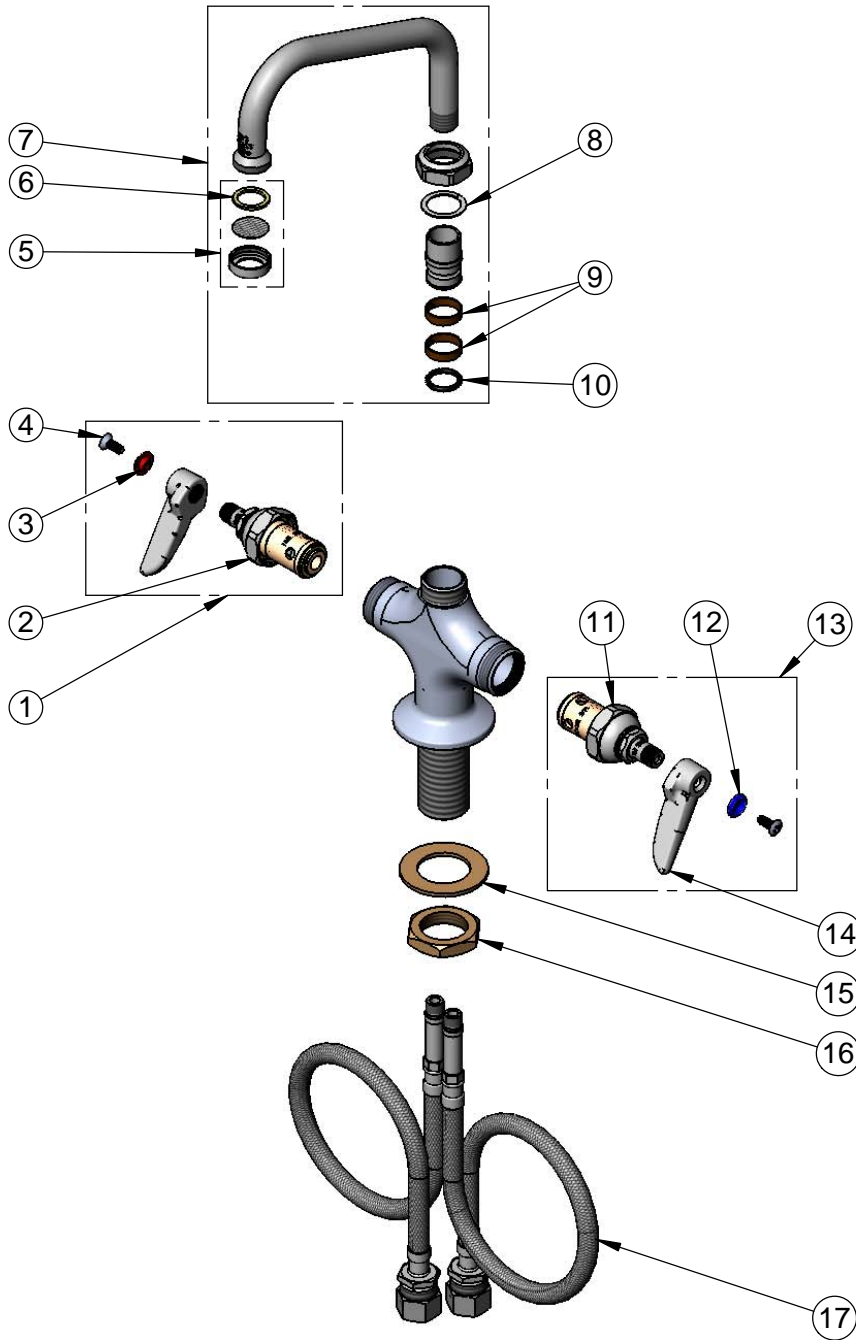
Product Compliance:
ASME A112.18.1 / CSA B125.1
NSF 61 - Section 9
NSF 372 (Low Lead Content)
ANSI A117.1 (ADA)



T&S BRASS AND BRONZE WORKS, INC.
 2 Saddleback Cove / P.O. Box 1088
 Travelers Rest, SC 29690

Model No.
B-0202
 Item No.

Travelers Rest, SC: 800-476-4103 • Simi Valley, CA: 800-423-0150 • Fax: 864-834-3518 • www.tsbrass.com



ITEM NO.	SALES NO.	DESCRIPTION
1	002714-40	Eterna Cartridge RTC w/ Handle, Index & Screw
2	005960-40	Eterna Cartridge, RTC
3	001661-45	Red Index - HW
4	000922-45	Lever Handle Screw
5	B-PT	Stream Regulator Outlet
6	001048-45	Nozzle Tip Washer
7	059X	6" Swing Nozzle
8	009538-45	Swivel Washer
9	011429-45	Swivel Sleeves (2)
10	001074-45	O-Ring
11	005959-40	Eterna Cartridge, LTC
12	001660-45	Blue Index - CW
13	002713-40	Eterna Cartridge LTC w/ Handle, Index & Screw
14	001638-45	Lever Handle
15	002290-45	Lock Washer
16	000965-45	Lock Nut
17	012534-45	18" Flexible Supply Hose (2)

Product Specifications:

Single Hole Deck Mount Mixing Faucet, Eterna Cartridges, Lever Handles, 6" Swing Nozzle w/ Stream Regulator Outlet & 18" Flexible Stainless Steel Supply Hoses w/ 1/2" NPSM Male Inlets

Product Compliance:

ASME A112.18.1 / CSA B125.1
 NSF 61 - Section 9
 NSF 372 (Low Lead Content)
 ANSI A117.1 (ADA)



T&S BRASS AND BRONZE WORKS, INC.

2 Saddleback Cove / P.O. Box 1088
Travelers Rest, SC 29690

Model No.

B-0202-CR

Item No.

Travelers Rest, SC: 800-476-4103 • Simi Valley, CA: 800-423-0150 • Fax: 864-834-3518 • www.tsbrass.com



ADA Compliant

This Space for Architect/Engineer Approval

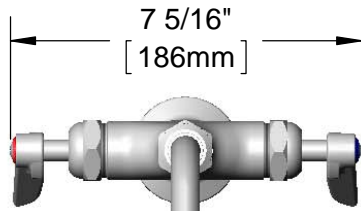
Job Name _____ Date _____

Model Specified _____ Quantity _____

Customer/Wholesaler _____

Contractor _____

Architect/Engineer _____



7 5/16"

[186mm]

059X
6" Swing Nozzle w/
Stream Regulator Outlet

6"

[152mm]

Cerama Cartridges &
Lever Handles w/
Colored Coded
Indexes

8 3/16"
[207mm]

5 7/16"
[138mm]

2 5/16"
[58mm]

Mounting Surface

1 7/16"
[36mm]

Maximum
Thickness

18" Flexible
Stainless Steel
Supply Hoses

Compression Fittings
for 5/8" O.D. Copper Tubing
(Remove Compression Nut
for 1/2" NPSM Male)

Rough-In Requirement:
Ø 1 1/2" [38mm] Mounting Hole

Product Specifications:

Single Hole Deck Mount Mixing Faucet, Cerama Cartridges,
Lever Handles, 6" Swing Nozzle w/ Stream Regulator Outlet &
18" Flexible Stainless Steel Supply Hoses w/ 1/2" NPSM Male Inlets

Product Compliance:

ASME A112.18.1 / CSA B125.1
NSF 61 - Section 9
NSF 372 (Low Lead Content)
ANSI A117.1 (ADA)



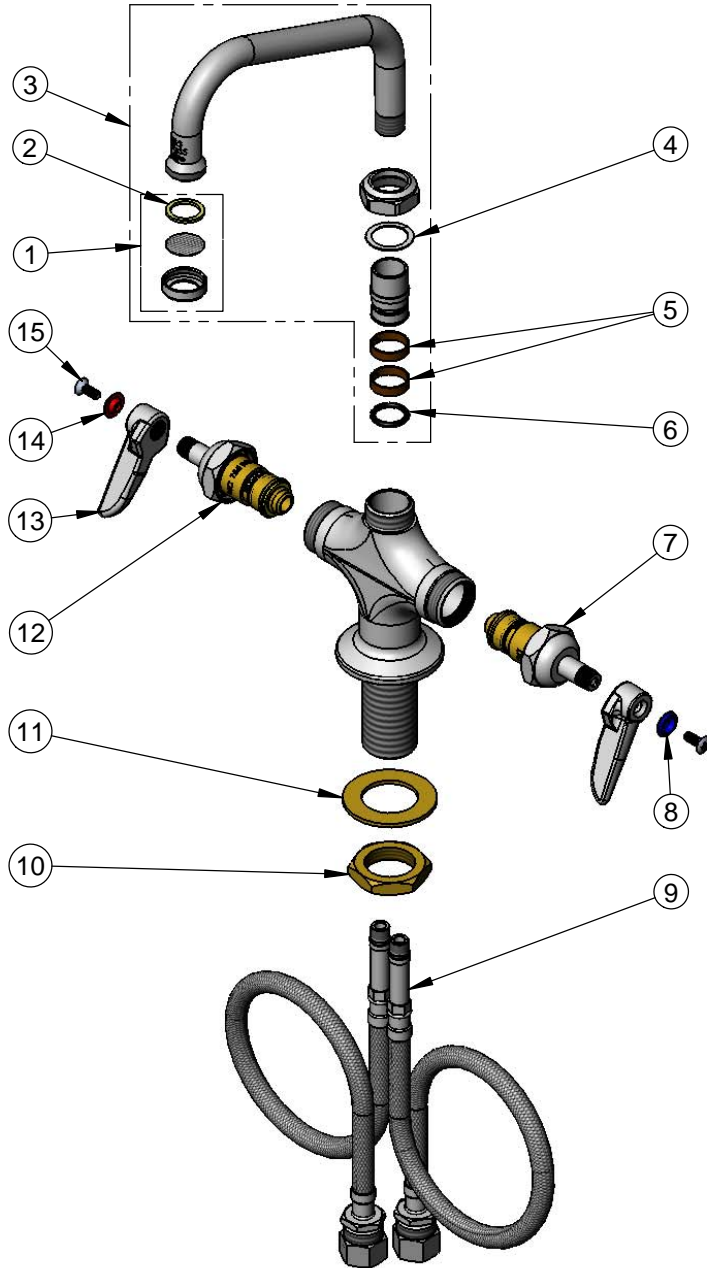
T&S BRASS AND BRONZE WORKS, INC.
 2 Saddleback Cove / P.O. Box 1088
 Travelers Rest, SC 29690

Model No.
B-0202-CR

Item No.

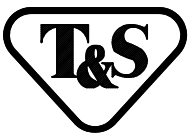
Travelers Rest, SC: 800-476-4103 • Simi Valley, CA: 800-423-0150 • Fax: 864-834-3518 • www.tsbrass.com

ITEM NO.	SALES NO.	DESCRIPTION
1	B-PT	Stream Regulator Outlet
2	001048-45	Nozzle Tip Washer
3	059X	6" Swing Nozzle
4	009538-45	Swivel Washer
5	011429-45	Swivel Sleeves (2)
6	001074-45	O-Ring
7	011279-25	Cerama Cartridge, LTC
8	001660-45	Blue Index-CW
9	012534-45	18" Flexible Supply Hose (2)
10	000965-45	Lock Nut
11	002290-45	Lock Washer
12	011278-25	Cerama Cartridge, RTC
13	001638-45	Lever Handle
14	001661-45	Red Index-HW
15	000922-45	Handle Screw



Product Specifications:
 Single Hole Deck Mount Mixing Faucet, Cerama Cartridges,
 Lever Handles, 6" Swing Nozzle w/ Stream Regulator Outlet &
 18" Flexible Stainless Steel Supply Hoses w/ 1/2" NPSM Male Inlets

Product Compliance:
 ASME A112.18.1 / CSA B125.1
 NSF 61 - Section 9
 NSF 372 (Low Lead Content)
 ANSI A117.1 (ADA)



T&S BRASS AND BRONZE WORKS, INC.
 2 SADDLEBACK COVE / P.O. BOX 1088 / TRAVELERS REST, SC 29690
 PHONE 800-476-4103 - FAX 864- 834-3518

Model No.

B-0272

**RELIABILITY
 BUILT IN**

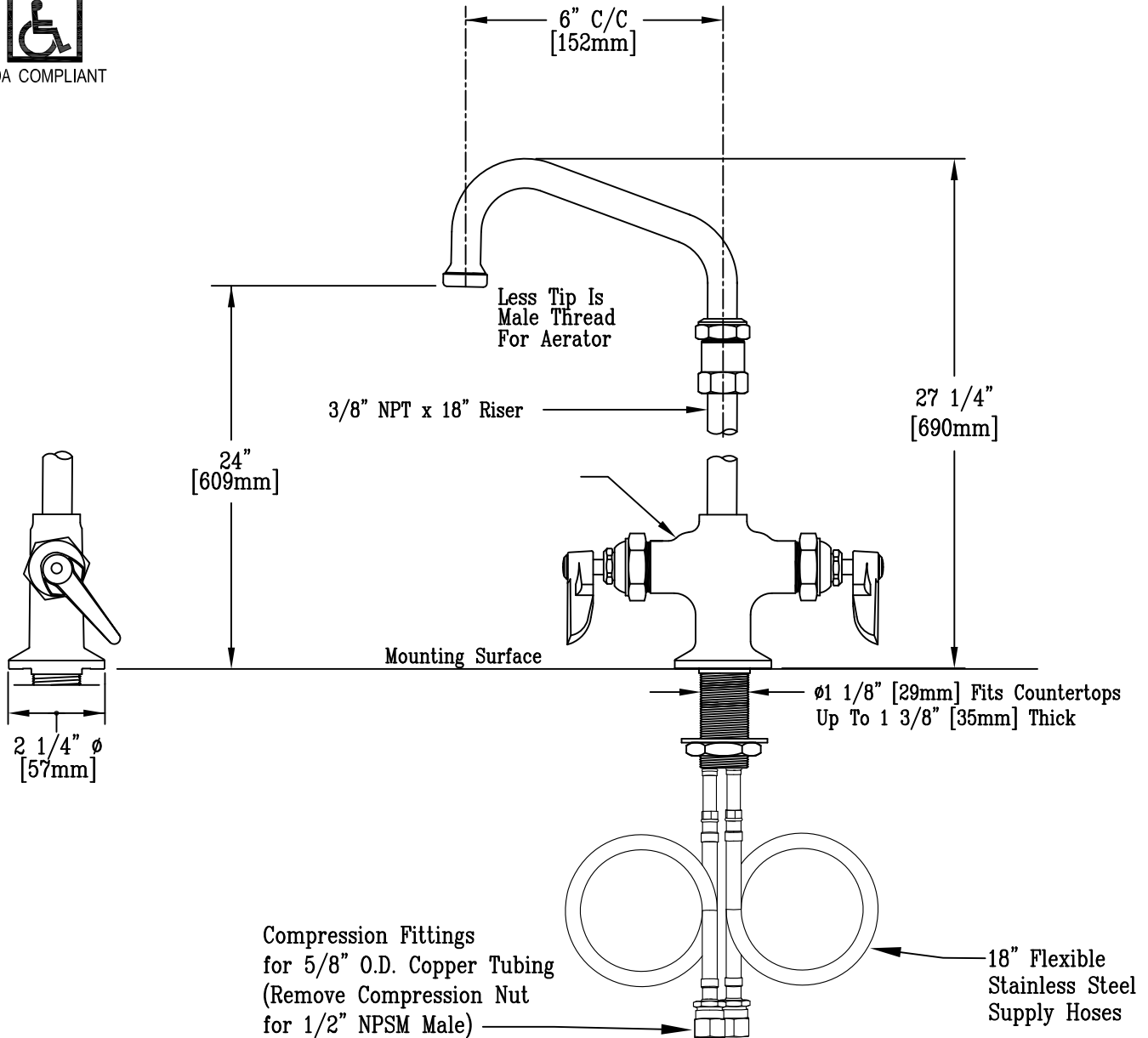
Job Name:

Architect/Engineer Approval:

Notes:



ADA COMPLIANT



Rough-In Requirement:
 Ø 1 1/2" [38mm] Mounting Hole

Product Description:
 Double Pantry Mixing Faucet, Eterna Cartridges,
 Lever Handles, Elevated 6" Swing Nozzle, 18" Flexible Stainless
 Steel Supply Hoses w/ 1/2" NPT Male Inlets

Drawn:

JRM

Checked

DHL

Scale:

1 : 4

Approved

JHB

Date:

01/09/15