



T&S BRASS AND BRONZE WORKS, INC.

2 Saddleback Cove / P.O. Box 1088
Travelers Rest, SC 29690

Model No.

B-0201

Item No.

Travelers Rest, SC: 800-476-4103 • Simi Valley, CA: 800-423-0150 • Fax: 864-834-3518 • www.tsbrass.com



ADA Compliant

This Space for Architect/Engineer Approval

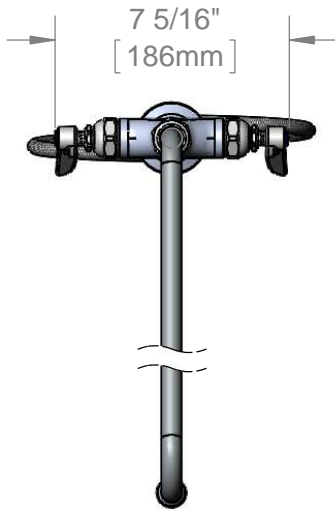
Job Name _____ Date _____

Model Specified _____ Quantity _____

Customer/Wholesaler _____

Contractor _____

Architect/Engineer _____



062X
12" Swing Nozzle w/
Stream Regulator Outlet

Eterna Cartridges
& Lever Handles
w/ Color Coded
Indexes

Swivel
Joint

2 5/16"
[58mm]

10 3/16"
[259mm]

7 1/2"
[190mm]

Mounting
Surface

Ø 2 1/4" [57mm] Flange w/
Ø 1 1/8" [29mm] Shank

1 3/8"
[35mm]
Maximum
Thickness

18" Flexible
Stainless Steel
Supply Hoses

Compression Fittings
for 5/8" O.D. Copper Tubing
(Remove Compression Nut
for 1/2" NPSM Male)

Rough-In Requirement:
Ø 1 1/2" [38mm] Mounting Hole

Product Specifications:

Single Hole Deck Mount Mixing Faucet, Eterna Cartridges, Lever
Handles, 12" Swing Nozzle & 18" Flexible Stainless Steel
Supply Hoses w/ 1/2" NPSM Male Inlets

Product Compliance:

ASME A112.18.1 / CSA B125.1
NSF 61 - Section 9
NSF 372 (Low Lead Content)
ANSI A117.1 (ADA)

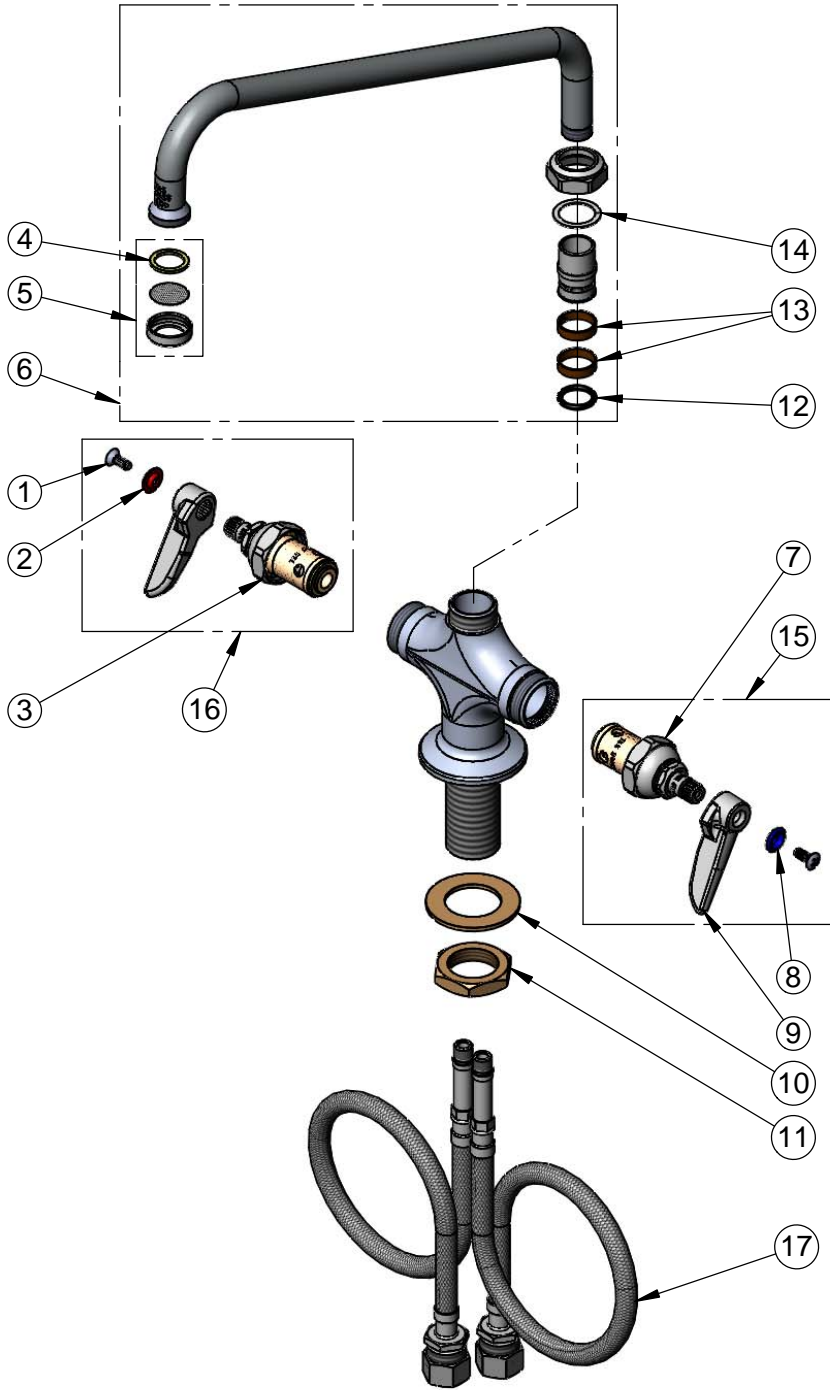


T&S BRASS AND BRONZE WORKS, INC.
 2 Saddleback Cove / P.O. Box 1088
 Travelers Rest, SC 29690

Model No.
B-0201

Item No.

Travelers Rest, SC: 800-476-4103 • Simi Valley, CA: 800-423-0150 • Fax: 864-834-3518 • www.tsbrass.com



ITEM NO.	SALES NO.	DESCRIPTION
1	000922-45	Lever Handle Screw
2	001661-45	Red Index-HW
3	005960-40	Eterna Cartridge, RTC
4	001048-45	Nozzle Tip Washer
5	B-PT	Stream Regulator Outlet
6	062X	12" Swing Nozzle
7	005959-40	Eterna Cartridge, LTC
8	001660-45	Blue Index-CW
9	001638-45	Lever Handle
10	002290-45	Lock Washer
11	000965-45	Lock Nut
12	001074-45	O-Ring
13	011429-45	Swivel Sleeves (2)
14	009538-45	Swivel Washer
15	002713-40	Eterna Cartridge LTC w/ Handle, Index & Screw
16	002714-40	Eterna Cartridge RTC w/ Handle, Index & Screw
17	012534-45	18" Flexible Supply Hose (2)

Product Specifications:

Single Hole Deck Mount Mixing Faucet, Eterna Cartridges, Lever Handles, 12" Swing Nozzle & 18" Flexible Stainless Steel Supply Hoses w/ 1/2" NPSM Male Inlets

Product Compliance:

ASME A112.18.1 / CSA B125.1
 NSF 61 - Section 9
 NSF 372 (Low Lead Content)
 ANSI A117.1 (ADA)



T&S BRASS AND BRONZE WORKS, INC.

2 SADDLEBACK COVE / P.O. BOX 1088 / TRAVELERS REST, SC 29690

PHONE 800-476-4103 - FAX 864- 834-3518

Model No.

B-0201-CR

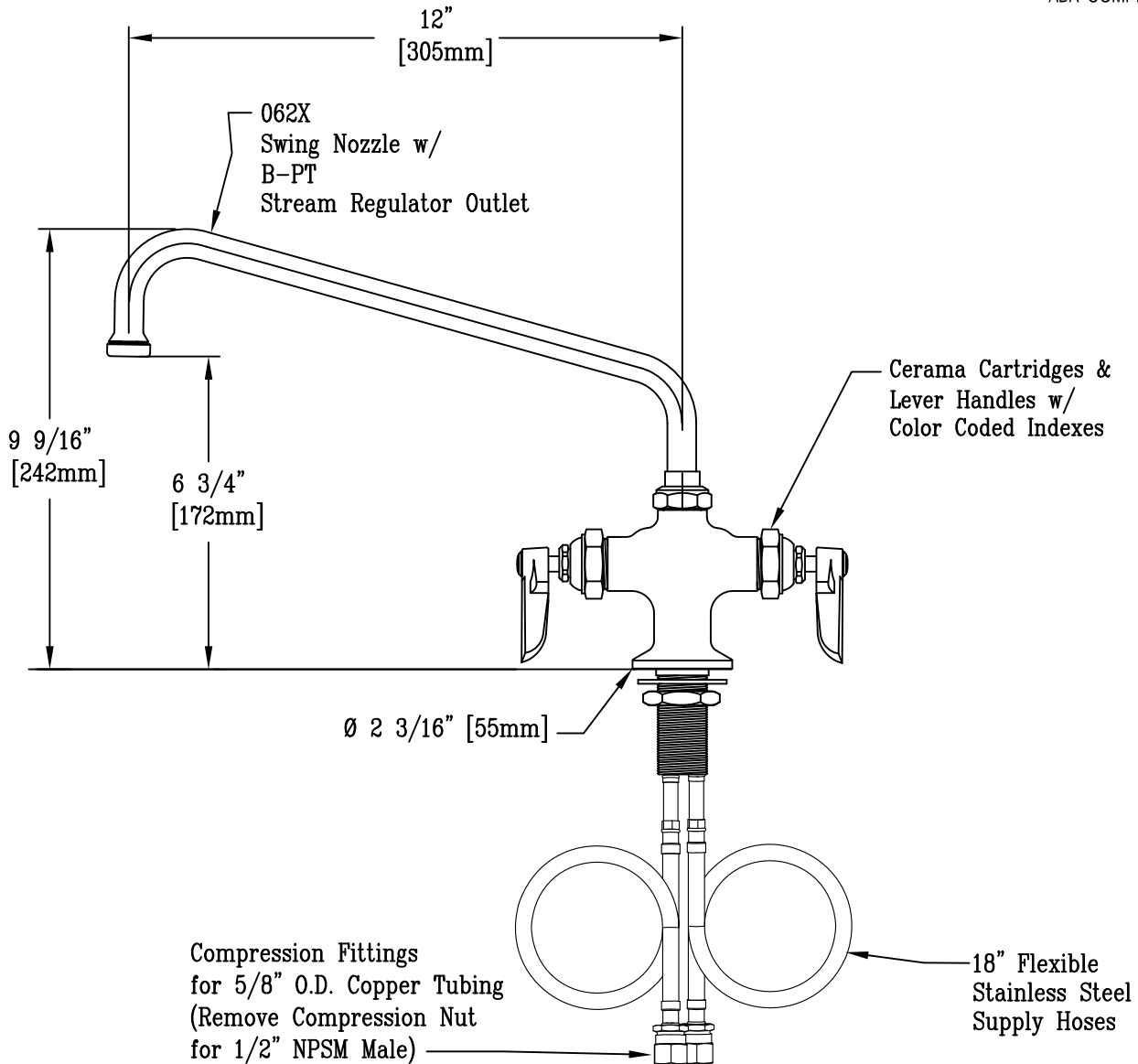
Job Name:

Architect/Engineer Approval:

Notes:



ADA COMPLIANT



Rough-In Requirement:
 $\varnothing 1 \frac{1}{2}"$ [38mm] Mounting Hole

Product Description:
Double Pantry Faucet, Cerama cartridges, 12" Swing Nozzle & 18" Flexible Stainless Steel Supply Hoses w/ 1/2" NPT Male Inlets

Drawn:

JRM

Checked

DHL

Scale:

1:4

Approved

JHB

Date:

01/09/15



T&S BRASS AND BRONZE WORKS, INC.

2 SADDLEBACK COVE / P.O. BOX 1088 / TRAVELERS REST, SC 29690

PHONE 800-476-4103

FAX 864-834-3518

Model No.

B-0201-01

Item No.:

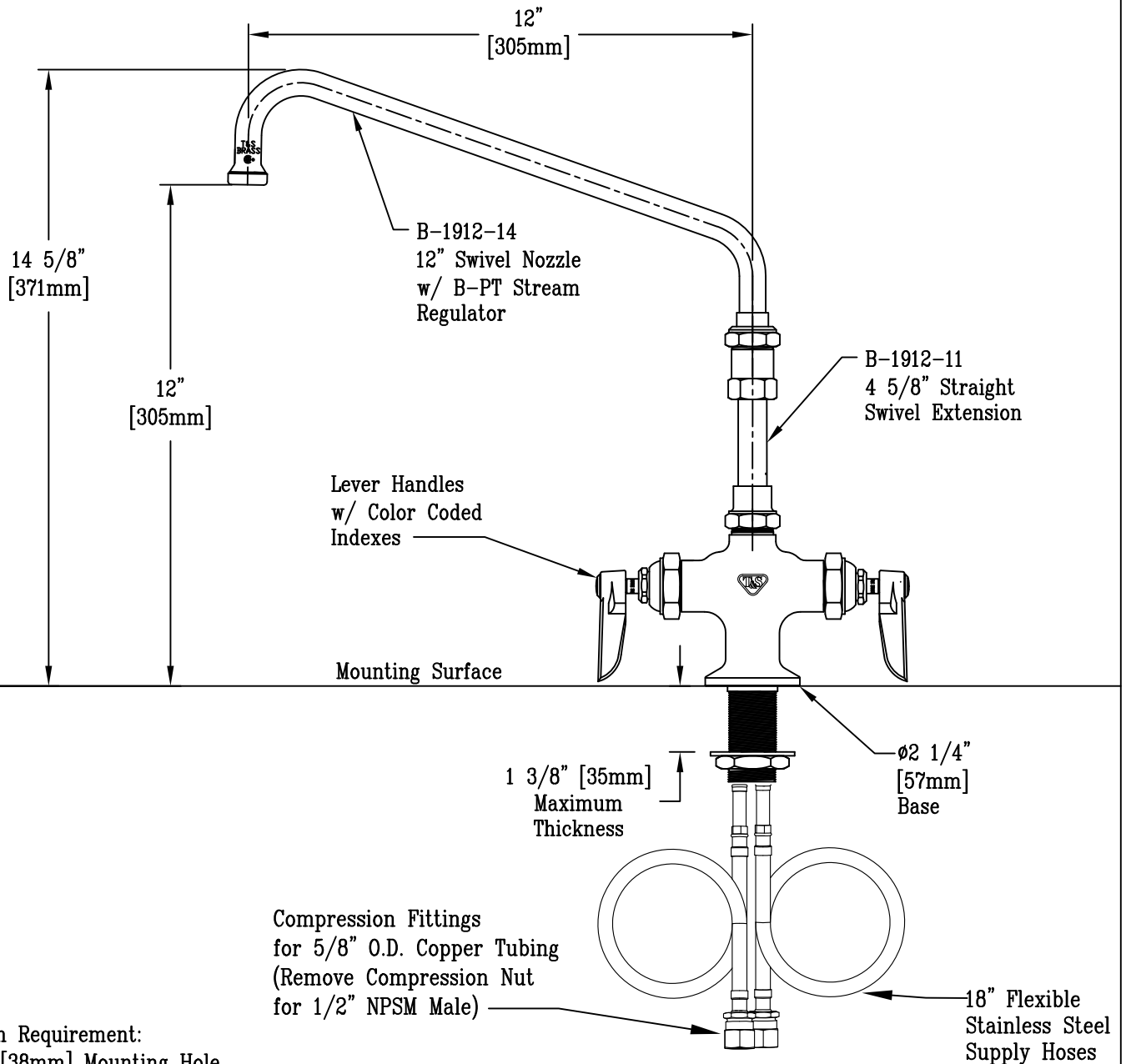
Job Name:

Architect/Engineer Approval:

Notes:



ADA Compliant



Rough-In Requirement:
ø1 1/2" [38mm] Mounting Hole

Product Description:
Single Hole Deck Mount Mixing Faucet, Eterna Cartridges,
Lever Handles, 12" Swing Nozzle, 5" Extension &
18" Flexible Stainless Steel Supply Hoses w/ 1/2" NPT Male Inlets

Drawn:

JRM

Checked

DHL

Scale:

1 : 4

Approved

JHB

Date:

01/09/15



T&S BRASS AND BRONZE WORKS, INC.

2 SADDLEBACK COVE / P.O. BOX 1088 / TRAVELERS REST, SC 29690

PHONE 800-476-4103

FAX 864-834-3518

Model No.

B-0201-02

Item No.:

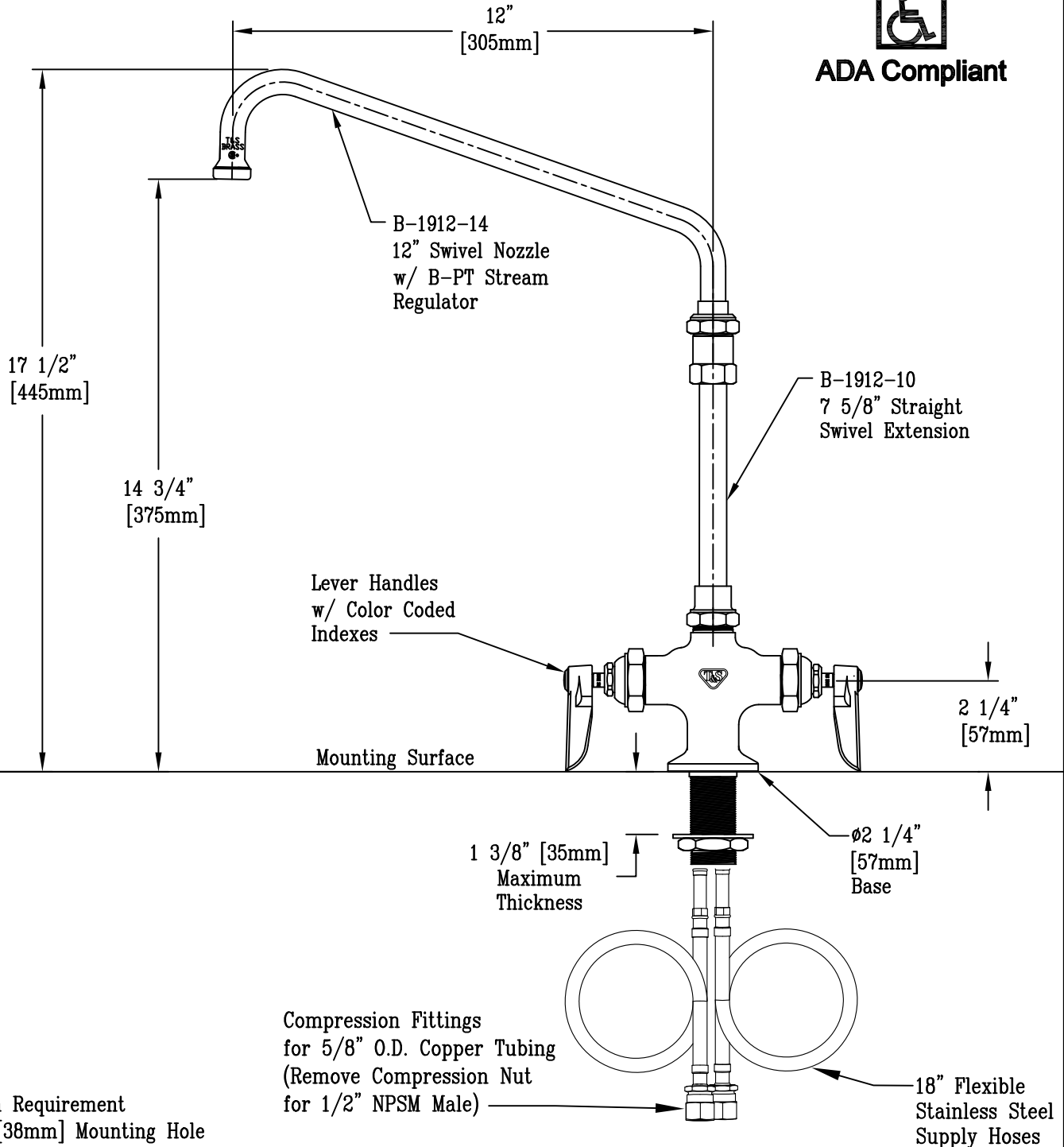
Job Name:

Architect/Engineer Approval:

Notes:



ADA Compliant



Product Description:
 Single Hole Deck Mount Mixing Faucet, Eterna Cartridge,
 Lever Handle, 12" Swing Nozzle, 7 5/8" Extension &
 18" Flexible Stainless Steel Supply Hoses w/ 1/2" NPT Male Inlets

Drawn: JRM	Checked DHL	Scale: 1 : 4
Approved JHB	Date: 01/09/15	



T&S BRASS AND BRONZE WORKS, INC.
 2 SADDLEBACK COVE / P.O. BOX 1088 / TRAVELERS REST, SC 29690
 PHONE 800-476-4103 - FAX 864- 834-3518

Model No.

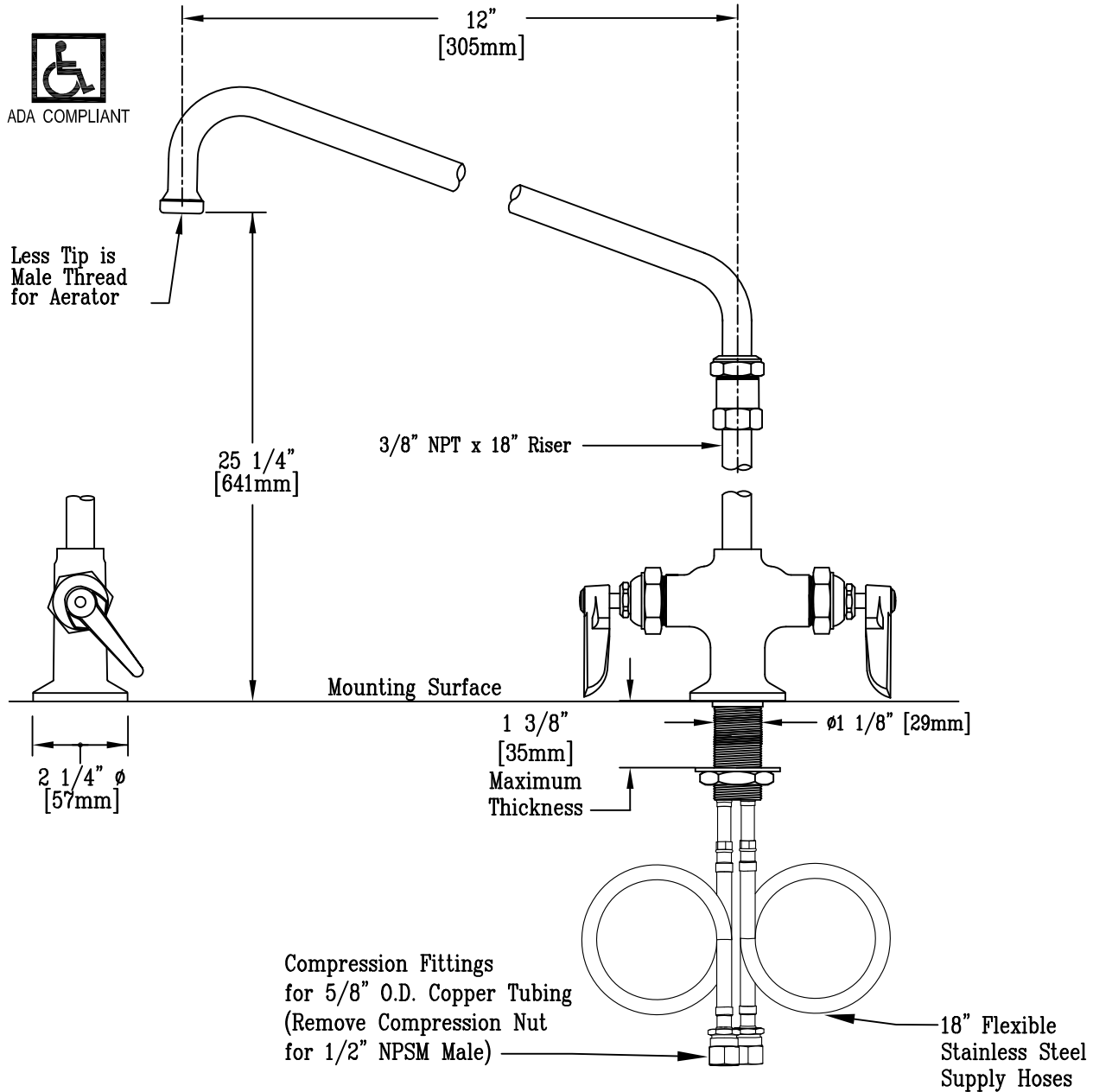
B-0271

**RELIABILITY
 BUILT IN**

Job Name:

Architect/Engineer Approval:

Notes:



Rough-In Requirement:
 ϕ 1 1/2" [38mm] Mounting Hole

Product Description:
 Single Hole Deck Mount Mixing Faucet, Eterna Cartridges,
 Elevated 12" Swing Nozzle, Lever Handles, 18" Flexible Stainless
 Steel Supply Hoses w/ 1/2" NPT Male Inlets

Drawn:

JRM

Checked

DHL

Scale:

1 : 4

Approved

JHB

Date:

01/09/15