



T&S BRASS AND BRONZE WORKS, INC.

2 Saddleback Cove / P.O. Box 1088
Travelers Rest, SC 29690

Model No.

B-0200

Item No.

Travelers Rest, SC: 800-476-4103 • Simi Valley, CA: 800-423-0150 • Fax: 864-834-3518 • www.tsbrass.com



ADA Compliant

This Space for Architect/Engineer Approval

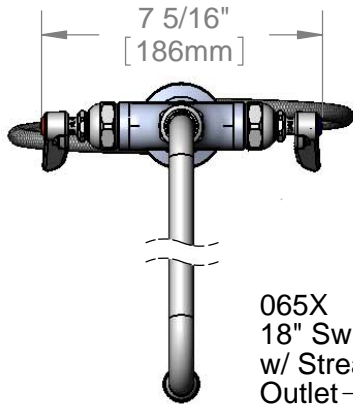
Job Name _____ Date _____

Model Specified _____ Quantity _____

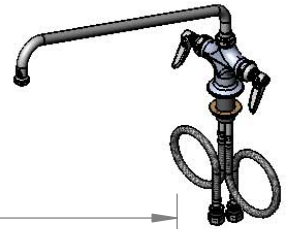
Customer/Wholesaler _____

Contractor _____

Architect/Engineer _____



065X
18" Swing Nozzle
w/ Stream Regulator
Outlet



Eterna Cartridges
& Lever Handles
w/ Color Coded
Indexes

Swivel Joint

2 5/16"
[58mm]

Mounting Surface

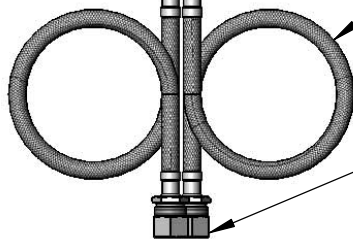
Ø 2 1/4" [57mm] Flange w/
Ø 1 1/8" [29mm] Shank

18"
[457mm]

12 1/4"
[311mm]

9 1/2"
[242mm]

1 3/8"
[35mm]
Maximum
Thickness



18" Flexible
Stainless Steel
Supply Hoses

Compression Fittings
for 5/8" O.D. Copper Tubing
(Remove Compression Nut
for 1/2" NPSM Male)

Rough-In Requirement:
Ø 1 1/2" [38mm] Mounting Hole

Product Specifications:

Single Hole Deck Mount Mixing Faucet, Eterna Cartridges,
Lever Handles, 18" Swing Nozzle & 18" Flexible Stainless Steel
Supply Hoses w/ 1/2" NPSM Male Inlets

Product Compliance:

ASME A112.18.1 / CSA B125.1
NSF 61 - Section 9
NSF 372 (Low Lead Content)
ANSI A117.1 (ADA)

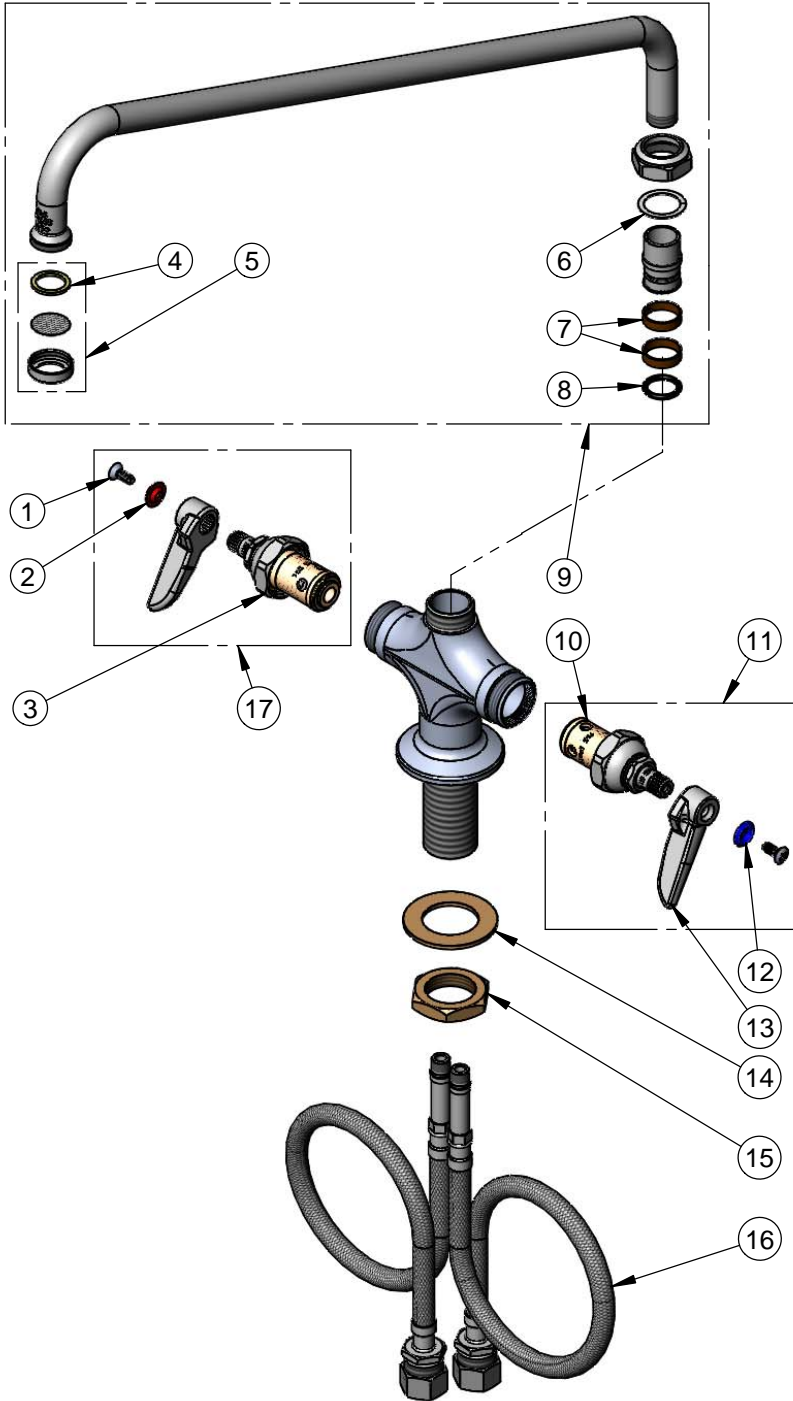


T&S BRASS AND BRONZE WORKS, INC.
 2 Saddleback Cove / P.O. Box 1088
 Travelers Rest, SC 29690

Model No.
B-0200

Item No.

Travelers Rest, SC: 800-476-4103 • Simi Valley, CA: 800-423-0150 • Fax: 864-834-3518 • www.tsbrass.com



ITEM NO.	SALES NO.	DESCRIPTION
1	000922-45	Lever Handle Screw
2	001661-45	Red Index-HW
3	005960-40	Eterna Cartridge, RTC
4	001048-45	Nozzle Tip Washer
5	B-PT	Stream Regulator Outlet
6	009538-45	Swivel Washer
7	011429-45	Swivel Sleeves (2)
8	001074-45	O-Ring
9	065X	18" Swing Nozzle
10	005959-40	Eterna Cartridge, LTC
11	002713-40	Eterna Cartridge, LTC w/ Handle, Index & Screw
12	001660-45	Blue Index-CW
13	001638-45	Lever Handle
14	002290-45	Lock Washer
15	000965-45	Lock Nut
16	012534-45	18" Flexible Supply Hose (2)
17	002714-40	Eterna Cartridge, RTC w/ Handle, Index & Screw

Product Specifications:
 Single Hole Deck Mount Mixing Faucet, Eterna Cartridges,
 Lever Handles, 18" Swing Nozzle & 18" Flexible Stainless Steel
 Supply Hoses w/ 1/2" NPSM Male Inlets

Product Compliance:
 ASME A112.18.1 / CSA B125.1
 NSF 61 - Section 9
 NSF 372 (Low Lead Content)
 ANSI A117.1 (ADA)



T&S BRASS AND BRONZE WORKS, INC.

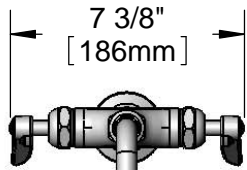
2 Saddleback Cove / P.O. Box 1088
Travelers Rest, SC 29690

Model No.

B-0200-CR

Item No.

Travelers Rest, SC: 800-476-4103 • Simi Valley, CA: 800-423-0150 • Fax: 864-834-3518 • www.tsbrass.com



7 3/8"
[186mm]



ADA Compliant

This Space for Architect/Engineer Approval

Job Name _____ Date _____

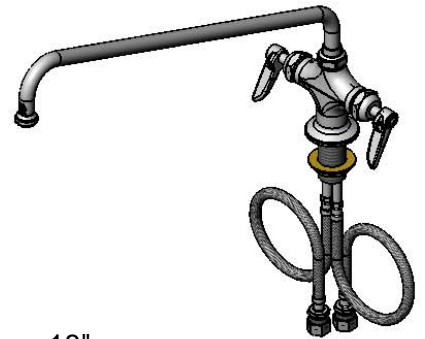
Model Specified _____ Quantity _____

Customer/Wholesaler _____

Contractor _____

Architect/Engineer _____

065X
18" Swing Nozzle w/
Stream Regulator Outlet



2 5/16"
[58mm]

Cerama Cartridges
& Lever Handles w/
Color Coded Indexes

12 1/4"
[311mm]

9 1/2"
[241mm]

18"
[457mm]

Ø 2 1/4"
[57mm]
Base

Mounting Surface

1 3/8"
[35mm]
Maximum
Thickness

18" Flexible
Stainless Steel
Supply Hoses

Compression Fittings
for 5/8" O.D. Copper Tubing
(Remove Compression Nut
for 1/2" NPSM Male)

Rough-In Requirement:
Ø 1 1/2" [38mm] Mounting Hole

Product Specifications:

Single Hole, Deck Mount, Mixing Faucet w/ Cerama Cartridges, Lever Handles, 18" Swing Nozzle, Stream Regulator Outlet & 18" Flexible Stainless Steel Supply Hoses w/ 1/2" NPSM Male Inlets

Product Compliance:

ASME A112.18.1 / CSA B125.1
NSF 61 - Section 9
NSF 372 (Low Lead Content)
ANSI A117.1 (ADA)



T&S BRASS AND BRONZE WORKS, INC.

2 Saddleback Cove / P.O. Box 1088
Travelers Rest, SC 29690

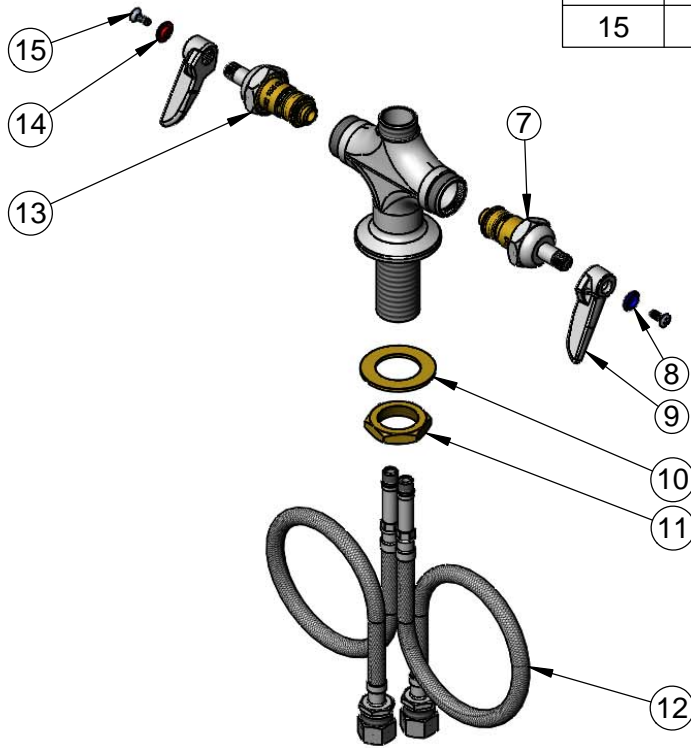
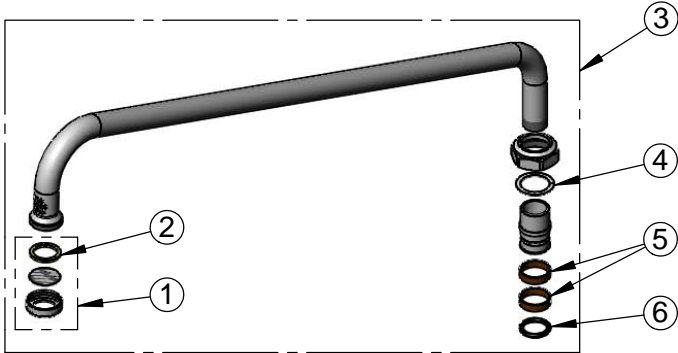
Model No.

B-0200-CR

Item No.

Travelers Rest, SC: 800-476-4103 • Simi Valley, CA: 800-423-0150 • Fax: 864-834-3518 • www.tsbrass.com

ITEM NO.	SALES NO.	DESCRIPTION
1	B-PT	Stream Regulator Outlet
2	001048-45	Nozzle Tip Washer
3	065X	18" Swing Nozzle
4	009538-45	Swivel Washer
5	011429-45	Swivel Sleeves (2)
6	001074-45	O-Ring
7	011279-25	Cerama Cartridge, LTC
8	001660-45	Blue Index-CW
9	001638-45	Lever Handle
10	002290-45	Lock Washer
11	000965-45	Lock Nut
12	012534-45	18" Flexible Supply Hose (2)
13	011278-25	Cerama Cartridge, RTC
14	001661-45	Red Index-HW
15	000922-45	Lever Handle Screw

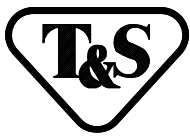


Product Specifications:

Single Hole, Deck Mount, Mixing Faucet w/ Cerama Cartridges, Lever Handles, 18" Swing Nozzle, Stream Regulator Outlet & 18" Flexible Stainless Steel Supply Hoses w/ 1/2" NPSM Male Inlets

Product Compliance:

ASME A112.18.1 / CSA B125.1
NSF 61 - Section 9
NSF 372 (Low Lead Content)
ANSI A117.1 (ADA)



T&S BRASS AND BRONZE WORKS, INC.

2 SADDLEBACK COVE / P.O. BOX 1088 / TRAVELERS REST, SC 29690

PHONE 800-476-4103 - FAX 864- 834-3518

Model No.

B-0200-BRASS

**RELIABILITY
BUILT IN**

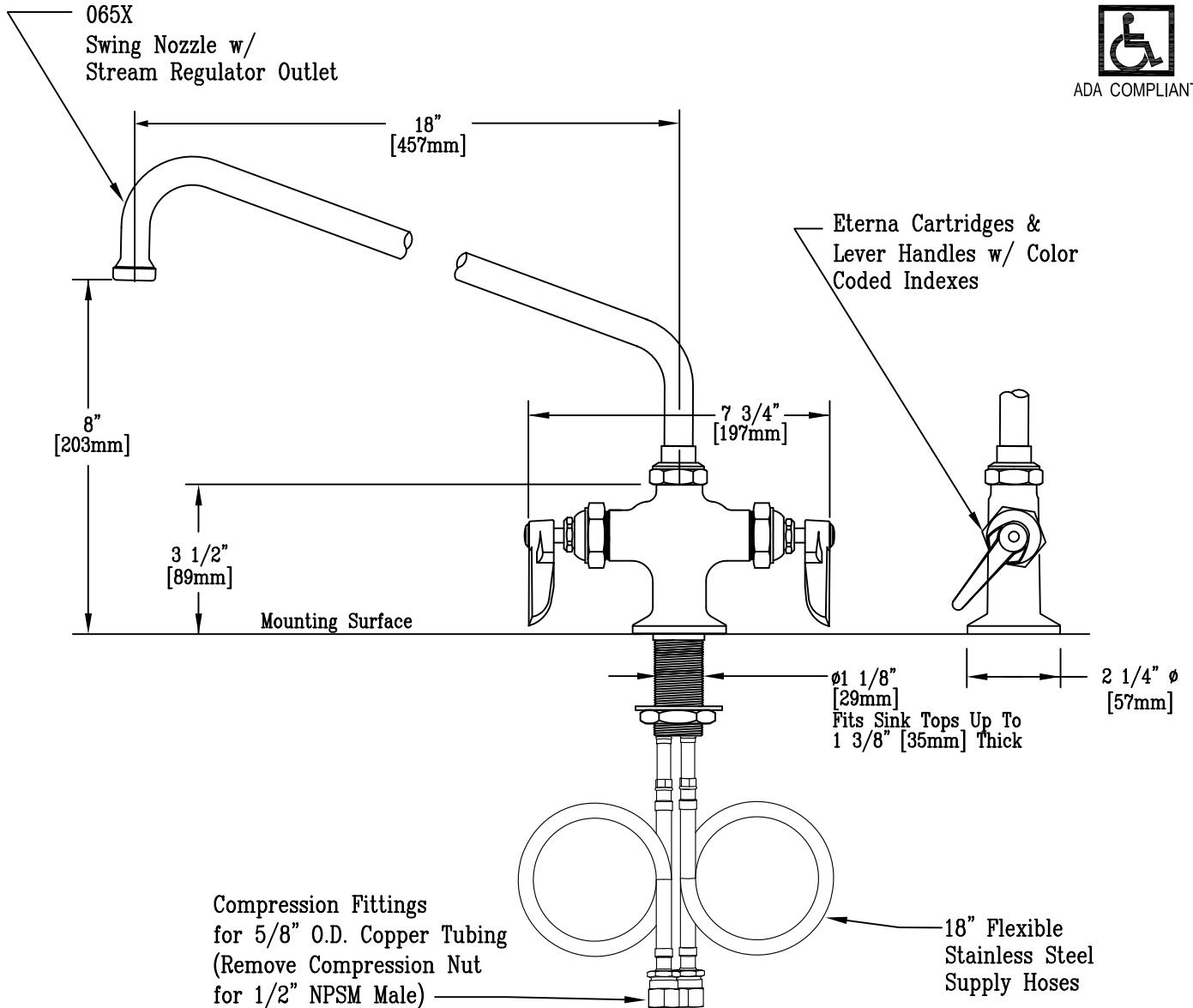
Job Name:

Architect/Engineer Approval:

Notes:



ADA COMPLIANT



Rough-In Requirement:
Ø 1 1/2" [38mm] Mounting Hole

Product Description:
Double Pantry Faucet, Eterna Cartridges, Chrome Plated
Brass Lever Handles, 18" Swing Nozzle & 18" Flexible Stainless
Steel Supply Hoses w/ 1/2" NPT Male Inlets

Drawn:	Checked:	Scale:
JRM	DHL	1 : 4
Approved:	Date:	
JHB	01/09/15	



T&S BRASS AND BRONZE WORKS, INC.

2 Saddleback Cove / P.O. Box 1088
Travelers Rest, SC 29690

Model No.

B-0270

Item No.

Travelers Rest, SC: 800-476-4103 • Simi Valley, CA: 800-423-0150 • Fax: 864-834-3518 • www.tsbrass.com



ADA Compliant

This Space for Architect/Engineer Approval

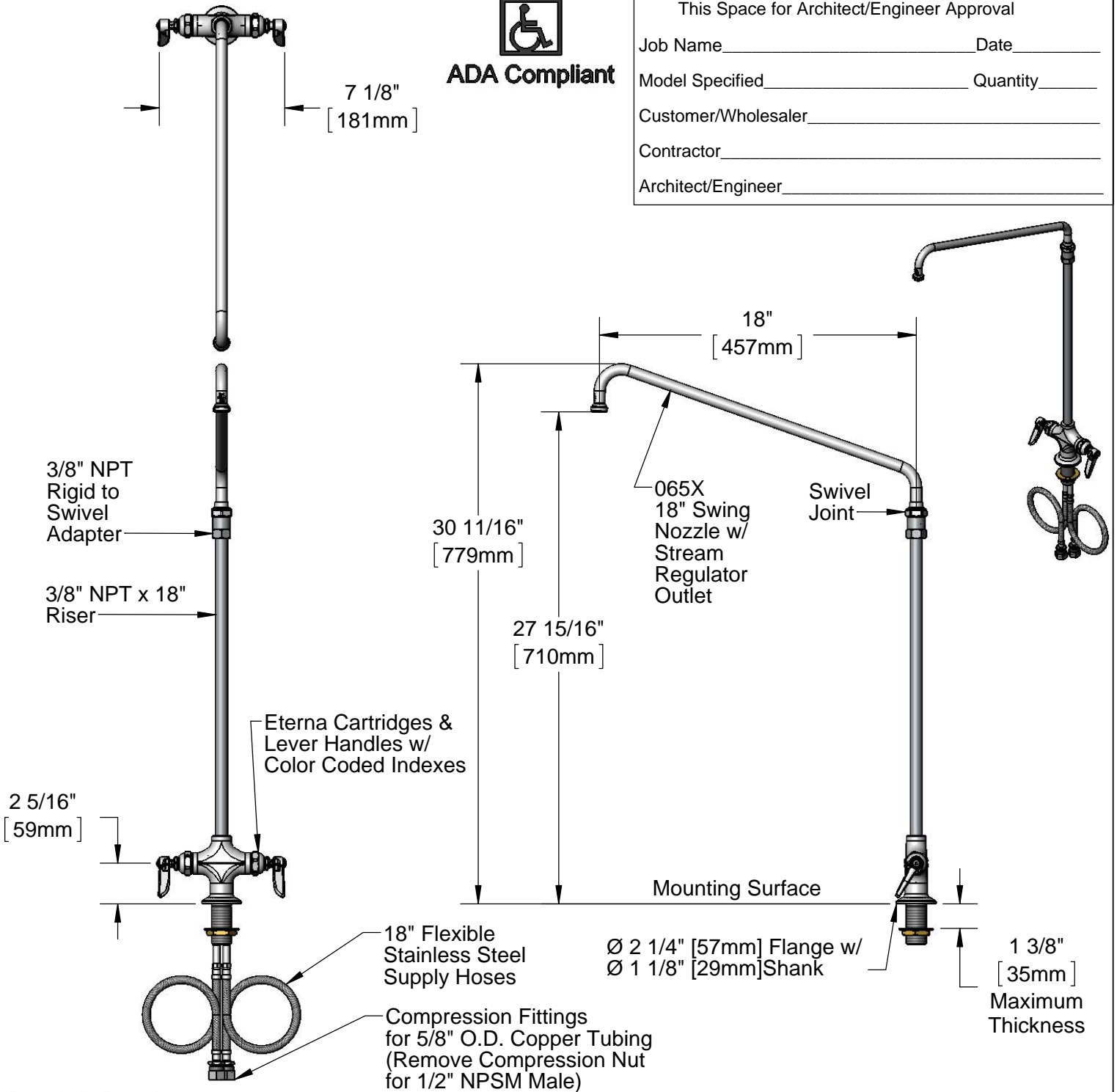
Job Name _____ Date _____

Model Specified _____ Quantity _____

Customer/Wholesaler _____

Contractor _____

Architect/Engineer _____



Rough-In Requirement:
Ø 1 1/2" [38mm] Mounting Hole

Product Specifications:

Single Hole Deck Mount Mixing Faucet, Eterna Cartridges, Lever Handles, Elevated 18" Swing Nozzle w/ Rigid to Swivel Adapter & 18" Flexible Stainless Steel Supply Hoses w/ 1/2" NPSM Male Inlets

Product Compliance:

ASME A112.18.1 / CSA B125.1
NSF 61 - Section 9
NSF 372 (Low Lead Content)
ANSI A117.1 (ADA)



T&S BRASS AND BRONZE WORKS, INC.

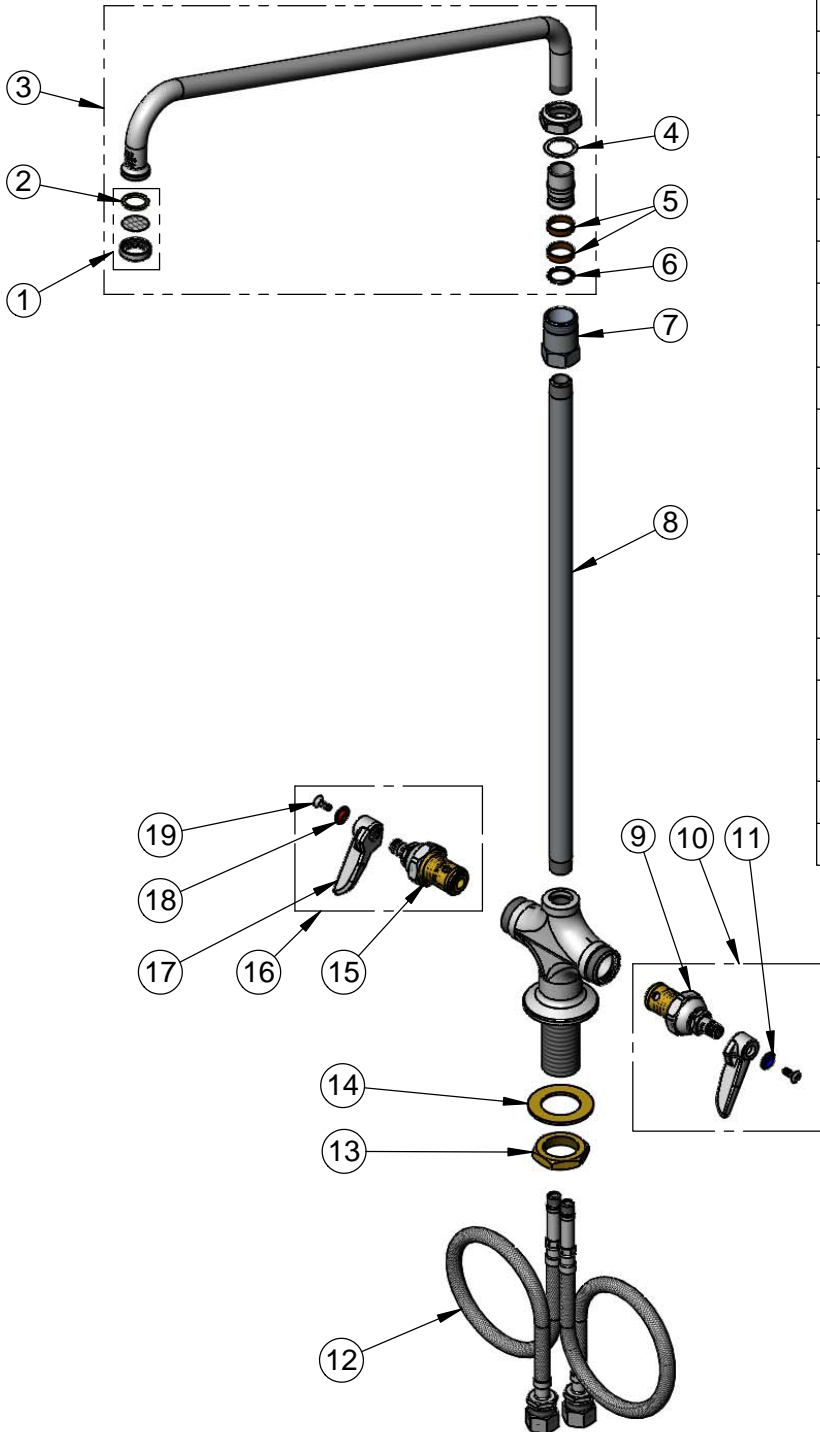
2 Saddleback Cove / P.O. Box 1088
Travelers Rest, SC 29690

Model No.

B-0270

Item No.

Travelers Rest, SC: 800-476-4103 • Simi Valley, CA: 800-423-0150 • Fax: 864-834-3518 • www.tsbrass.com



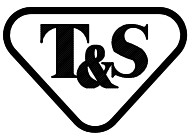
ITEM NO.	SALES NO.	DESCRIPTION
1	B-PT	Stream Regulator Outlet
2	001048-45	Nozzle Tip Washer
3	065X	18" Swing Nozzle
4	009538-45	Swivel Washer
5	011429-45	Swivel Sleeves (2)
6	001074-45	O-Ring
7	054X	Swivel Body
8	000369-40	3/8" NPT x 18" Riser
9	005959-40	Eterna Cartridge, LTC
10	002713-40	Eterna Cartridge, LTC w/ Handle, Index & Screw
11	001660-45	Blue Index-CW
12	012534-45	18" Flexible Supply Hose (2)
13	000965-45	Lock Nut
14	002290-45	Lock Washer
15	005960-40	Eterna Cartridge, RTC
16	002714-40	Eterna Cartridge, RTC w/ Handle, Index & Screw
17	001638-45	Lever Handle
18	001661-45	Red Index-HW
19	000922-45	Lever Handle Screw

Product Specifications:

Single Hole Deck Mount Mixing Faucet, Eterna Cartridges, Lever Handles, Elevated 18" Swing Nozzle w/ Rigid to Swivel Adapter & 18" Flexible Stainless Steel Supply Hoses w/ 1/2" NPSM Male Inlets

Product Compliance:

ASME A112.18.1 / CSA B125.1
NSF 61 - Section 9
NSF 372 (Low Lead Content)
ANSI A117.1 (ADA)



T&S BRASS AND BRONZE WORKS, INC.

2 SADDLEBACK COVE / P.O. BOX 1088 / TRAVELERS REST, SC 29690

PHONE 800-476-4103 - FAX 864- 834-3518

Model No.

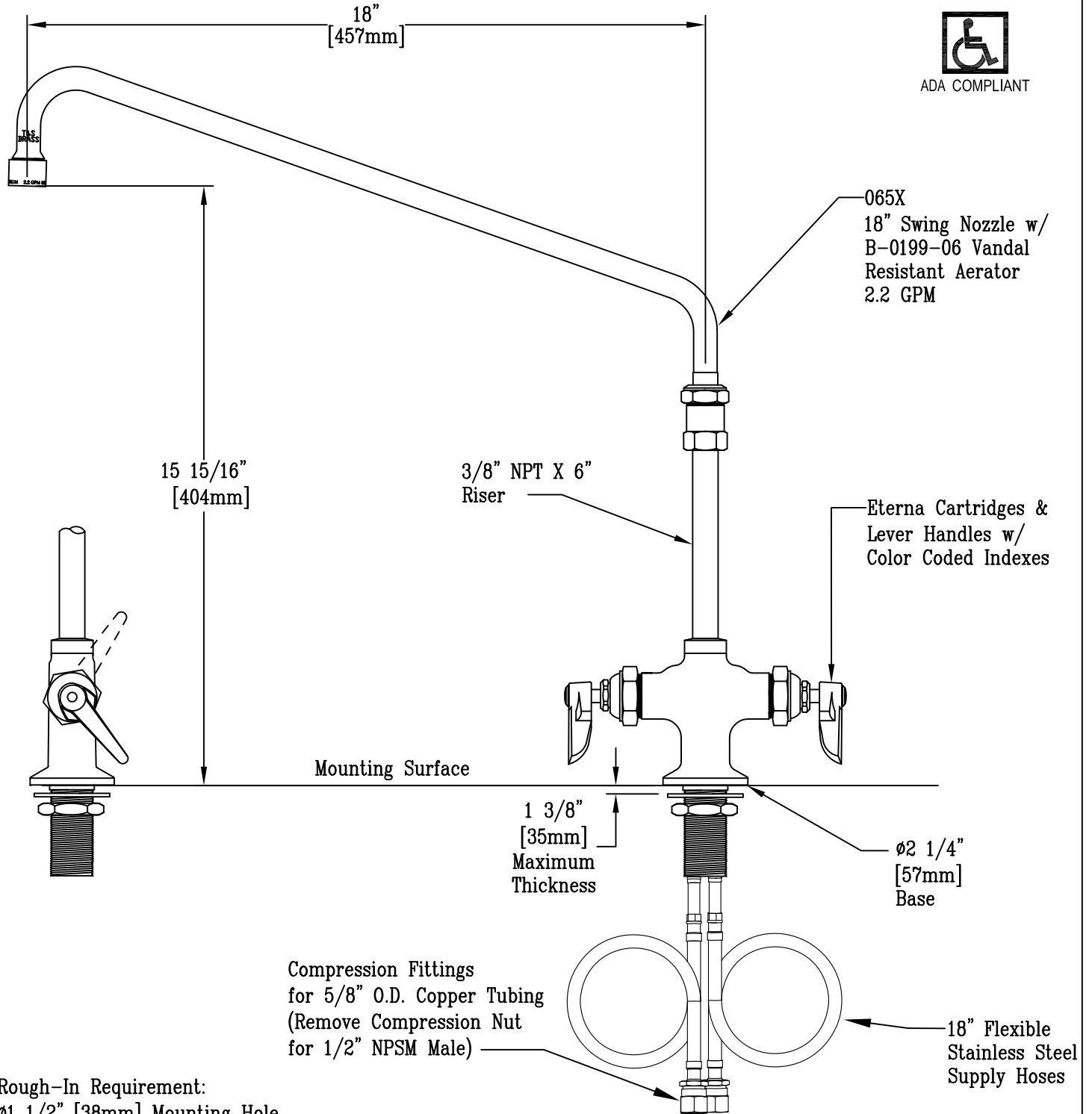
B-0270-144XVF22

**RELIABILITY
BUILT IN**

Job Name:

Architect/Engineer Approval:

Notes:



Rough-In Requirement:
Ø1 1/2" [38mm] Mounting Hole

Product Description:
Double Pantry Mixing Faucet, Eterna Cartridges, Lever Handles,
18" Swing Nozzle, Vandal Resistant Aerator, 6" Riser &
18" Flexible Stainless Steel Supply Hoses w/ 1/2" NPT Male Inlets

Drawn:	Checked	Scale:
JRM	DHL	1 : 4
Approved	Date:	
JHB	01/09/15	



T&S BRASS AND BRONZE WORKS, INC.

2 SADDLEBACK COVE / P.O. BOX 1088 / TRAVELERS REST, SC 29690

PHONE 800-476-4103 - FAX 864- 834-3518

Model No.

B-0200CR-PRISON

**RELIABILITY
BUILT IN**

Job Name:

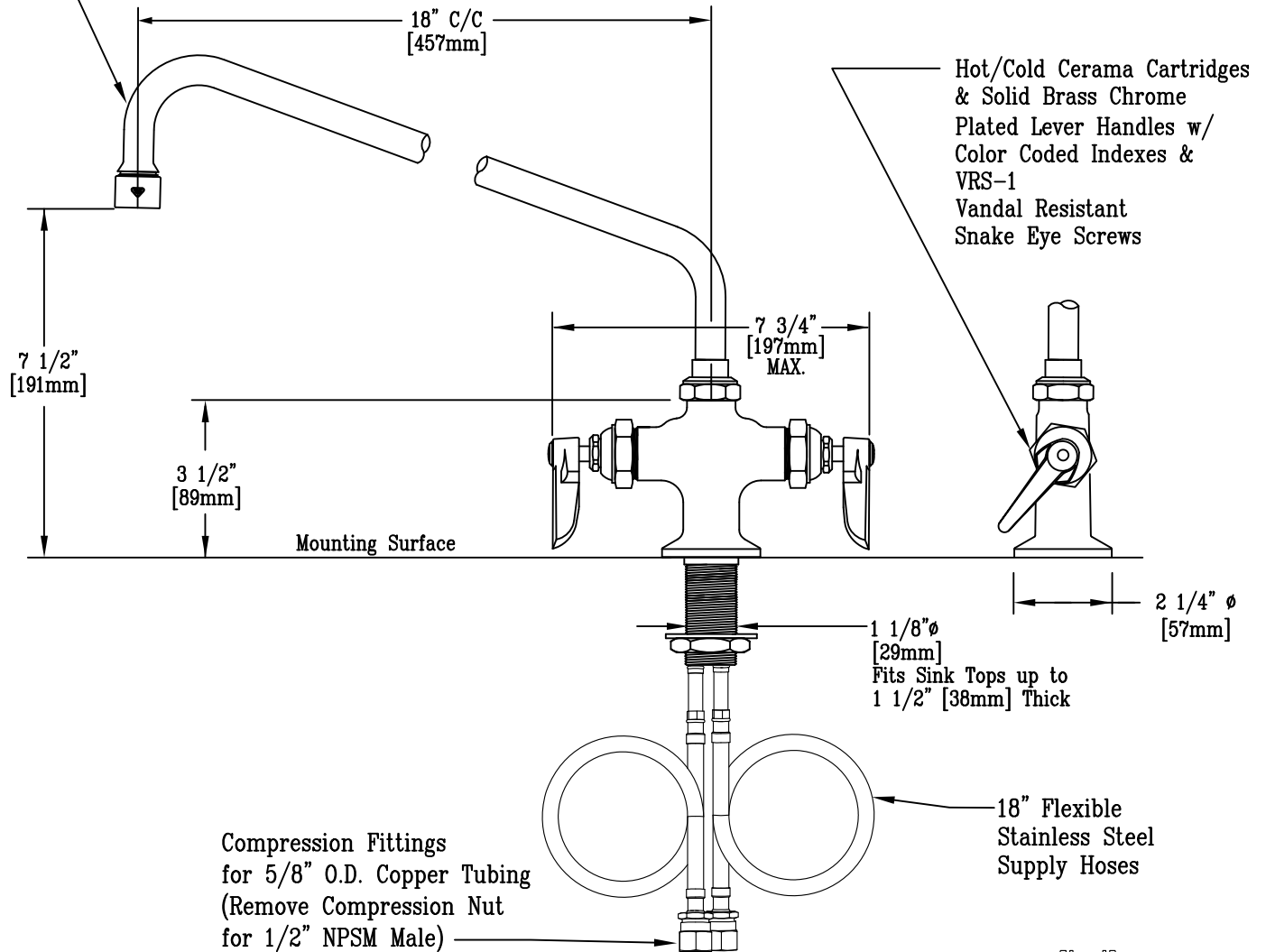
Architect/Engineer Approval:

Notes:



ADA COMPLIANT

065X
Swing Nozzle &
B-0199-06F-10
Vandal Resistant 1.0 GPM
Flow Control Aerator



014075-45
Vandal Resistant
Spanner Bit
(Included)

015425-45
Vandal Resistant
Aerator Key
(Included)

Rough-In Requirement:
 ϕ 1 1/2" [38mm] Mounting Hole

Product Description:
Double Pantry Faucet. Cerama Cartridges, 18" Swing Nozzle w/ VR 1.0 GPM Aerator
Solid Brass Chrome Plated Lever Handles w/ VR Snake Eye Screws &
18" Flexible Stainless Steel Supply Hoses w/ 1/2" NPT Male Inlets

Drawn: JRM	Checked DHL	Scale: 1 : 4
Approved JHB	Date: 01/09/15	