



**T&S BRASS AND BRONZE WORKS, INC.**  
 2 Saddleback Cove / P.O. Box 1088  
 Travelers Rest, SC 29690

Model No.  
**B-0109-07**

Item No.

Travelers Rest, SC: 800-476-4103 • Simi Valley, CA: 800-423-0150 • Fax: 864-834-3518 • www.tsbrass.com

This Space for Architect/Engineer Approval

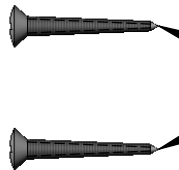
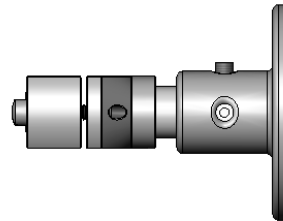
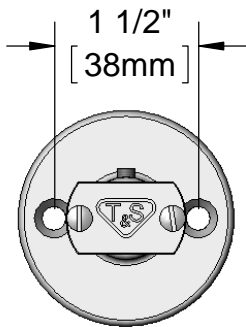
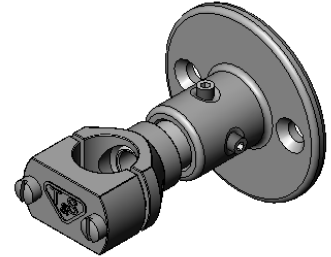
Job Name \_\_\_\_\_ Date \_\_\_\_\_

Model Specified \_\_\_\_\_ Quantity \_\_\_\_\_

Customer/Wholesaler \_\_\_\_\_

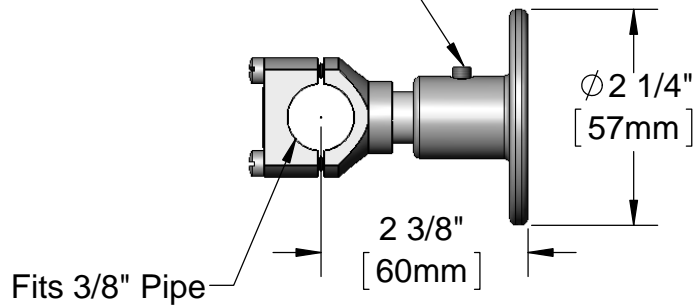
Contractor \_\_\_\_\_

Architect/Engineer \_\_\_\_\_



Chrome Plated Brass Wood Screws  
 for Wall Mounting (Included)

(2) Set Screw



Product Specifications:  
 2 3/8" Wall Bracket Assembly for 3/8" Pipe  
 w/ Mounting Hardware

Drawn  
**JRM**

Checked  
**KJG**

Approved  
**JHB**

Scale:  
 1:2

Date:  
 06/02/14