



T&S BRASS AND BRONZE WORKS, INC.
 2 Saddleback Cove / P.O. Box 1088
 Travelers Rest, SC 29690

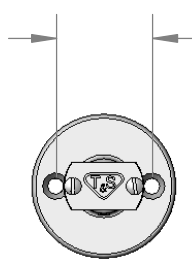
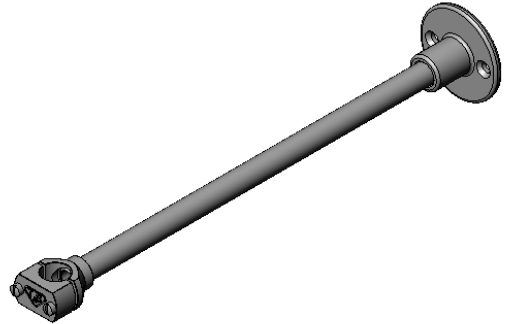
Model No.
B-0109-03

Item No.

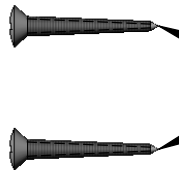
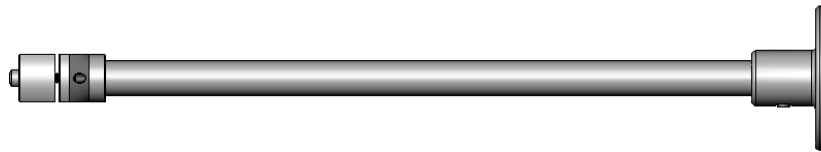
Travelers Rest, SC: 800-476-4103 • Simi Valley, CA: 800-423-0150 • Fax: 864-834-3518 • www.tsbrass.com

This Space for Architect/Engineer Approval

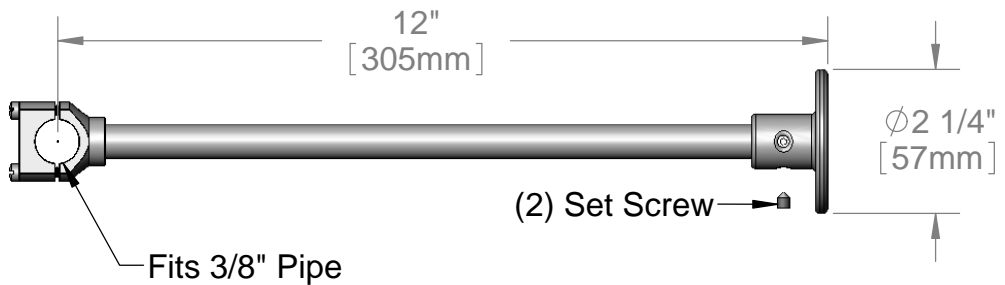
Job Name _____ Date _____
 Model Specified _____ Quantity _____
 Customer/Wholesaler _____
 Contractor _____
 Architect/Engineer _____



1 1/2"
 [38mm]



Chrome Plated Brass Wood Screws
 for Wall Mounting (Included)



Product Specifications:
 12" Wall Bracket Assembly for 3/8" Pipe
 w/ Mounting Hardware

Drawn JRM	Checked KJG	Approved JHB
Scale: 1:3		Date: 06/02/14



T&S BRASS AND BRONZE WORKS, INC.
 2 Saddleback Cove / P.O. Box 1088
 Travelers Rest, SC 29690

Model No.
B-0109-03VR

Item No.

Travelers Rest, SC: 800-476-4103 • Simi Valley, CA: 800-423-0150 • Fax: 864-834-3518 • www.tsbrass.com

This Space for Architect/Engineer Approval

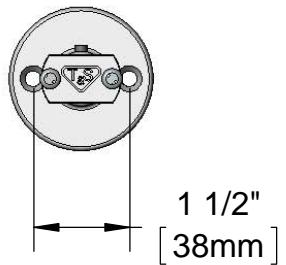
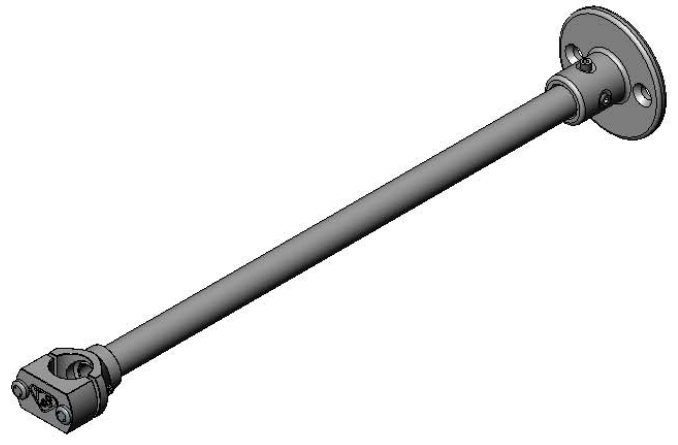
Job Name _____ Date _____




Model Specified _____ Quantity _____

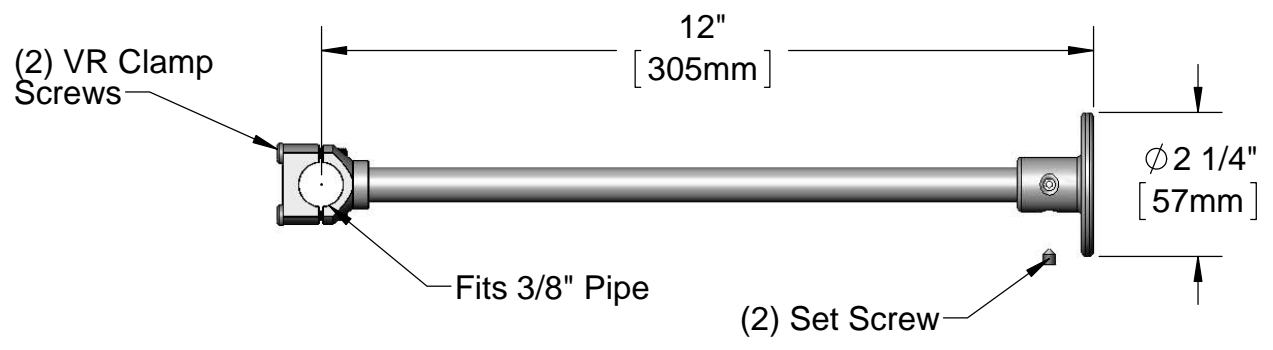
Customer/Wholesaler _____

Contractor _____

Architect/Engineer _____



-  #8 Spanner Bit (Included)
-  Chrome Plated Brass VR Wood Screws for Wall Mounting (Included)
- 



Product Specifications:
 12" Wall Bracket Assembly for 3/8" Pipe
 w/ Vandal Resistant Mounting Hardware

Drawn JRM	Checked KJG	Approved JHB
Scale: 1:3		Date: 06/02/14