



T&S BRASS AND BRONZE WORKS, INC.
 2 Saddleback Cove / P.O. Box 1088
 Travelers Rest, SC 29690

Model No.
B-0102-C

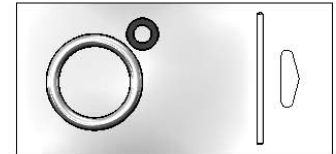
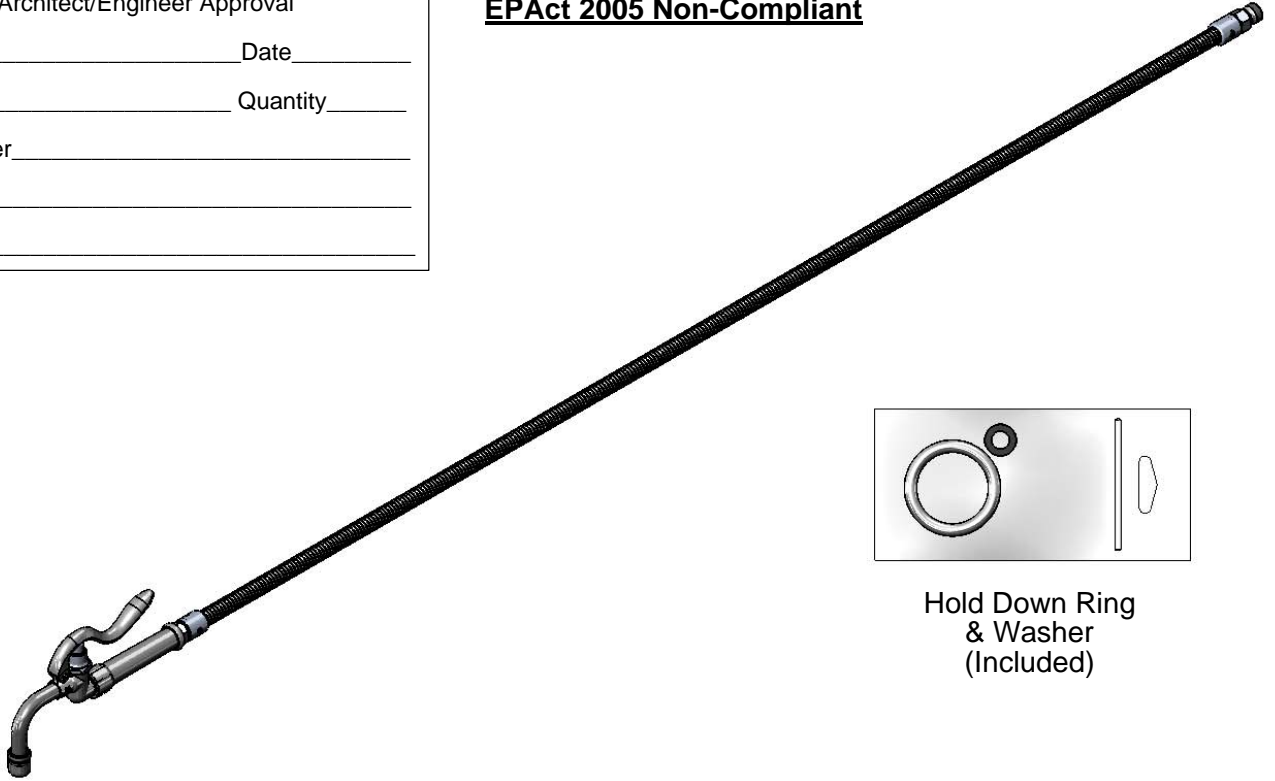
Item No.

Travelers Rest, SC: 800-476-4103 • Simi Valley, CA: 800-423-0150 • Fax: 864-834-3518 • www.tsbrass.com

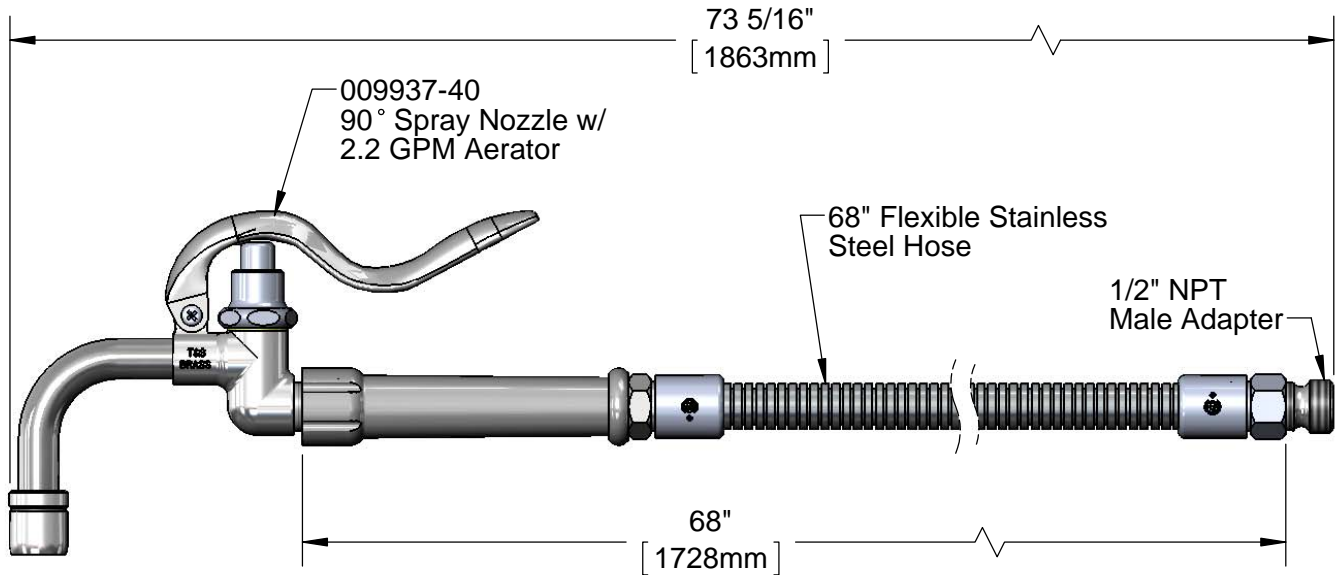
This Space for Architect/Engineer Approval

Job Name _____ Date _____
 Model Specified _____ Quantity _____
 Customer/Wholesaler _____
 Contractor _____
 Architect/Engineer _____

EPAct 2005 Non-Compliant



Hold Down Ring
 & Washer
 (Included)



Product Specifications:
 Pot & Glass Filler w/ 90° Spray Nozzle, 2.2 GPM Aerator,
 & 68" Flexible Stainless Steel Hose w/ Adapter

Drawn KJG	Checked DMH	Approved JHB
Scale: 1:3		Date: 01/28/14



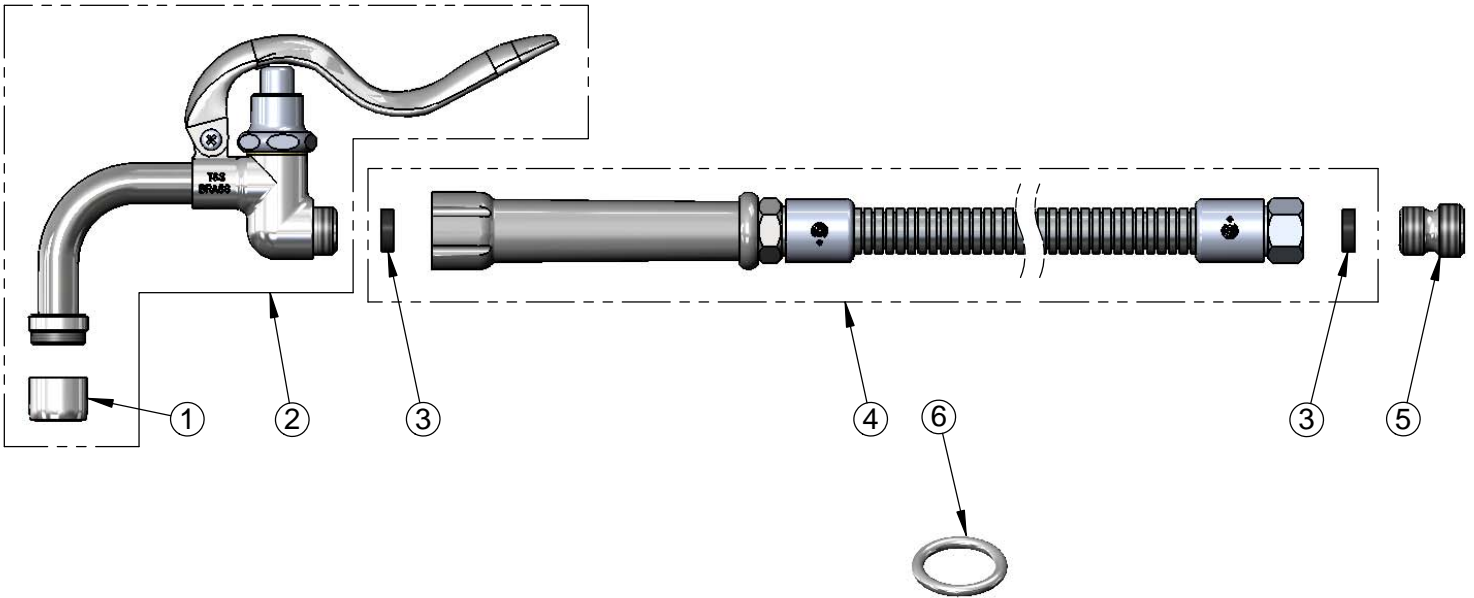
T&S BRASS AND BRONZE WORKS, INC.
 2 Saddleback Cove / P.O. Box 1088
 Travelers Rest, SC 29690

Model No.
B-0102-C

Item No.

Travelers Rest, SC: 800-476-4103 • Simi Valley, CA: 800-423-0150 • Fax: 864-834-3518 • www.tsbrass.com

ITEM NO.	SALES NO.	DESCRIPTION
1	B-0199-01	2.2 GPM Aerator, 55/64"-27 UN Female
2	009937-40	90° Spray Nozzle w/ 2.2 GPM Aerator
3	010476-45	#27 Washer
4	B-0068-H	68" Flexible Stainless Steel Hose
5	055A	Adapter, 1/2 NPT Male
6	000907-45	Spray Valve Hold Down Ring



Product Specifications:
 Pot & Glass Filler w/ 90° Spray Nozzle, 2.2 GPM Aerator,
 & 68" Flexible Stainless Steel Hose w/ Adapter

Drawn KJG	Checked DMH	Approved JHB
Scale: NTS		Date: 01/28/14