

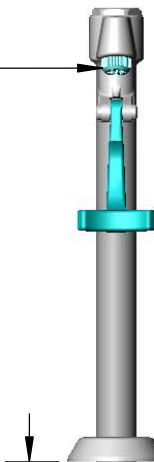
*This Space for Architect/Engineer Approval*

Job Name \_\_\_\_\_ Date \_\_\_\_\_  
 Model Specified \_\_\_\_\_ Quantity \_\_\_\_\_  
 Customer/Wholesaler \_\_\_\_\_  
 Contractor \_\_\_\_\_  
 Architect/Engineer \_\_\_\_\_



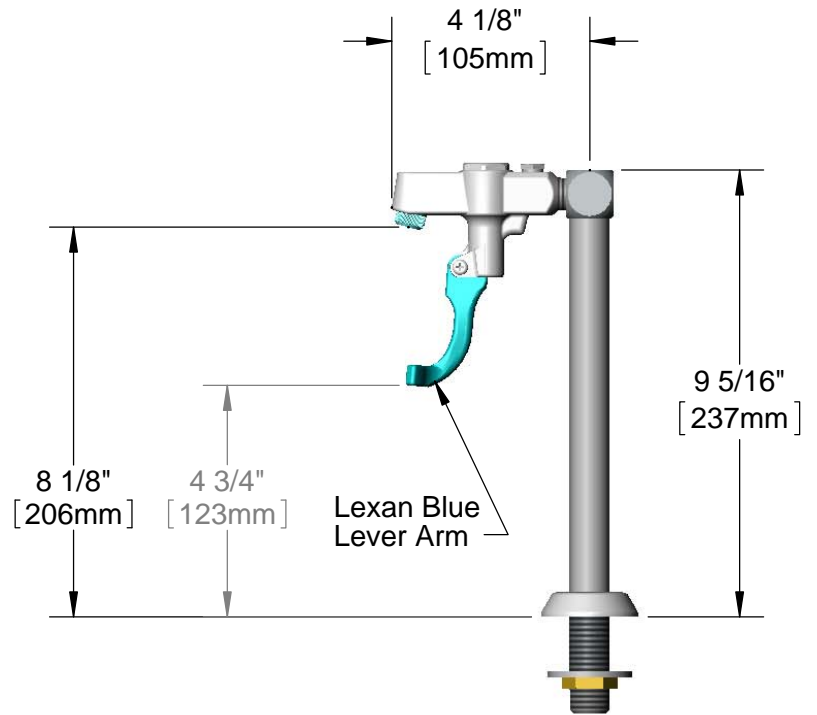
Volume Control  
Adjustable w/  
Screwdriver

Lexan  
Blue  
Outlet



1 1/8"  
[29mm]  
Maximum  
Thickness

Ø2" [51mm]  
Adjustable  
Flange &  
1/2" NPT  
Male Inlet



Rough-In Requirement:  
Ø1" [25mm] Mounting Hole

Model Number 5GF-8P	Date 02/04/14	Scale 1:4	Drawn DHL	Checked DMH	Approved JHB
------------------------	------------------	--------------	--------------	----------------	-----------------



Product Specifications:

**Pedestal Type Glass Filler, Push Back Design, 1/2" NPT Male Shank, Adjustable Flange, Blue Self-Closing Lexan Arm**

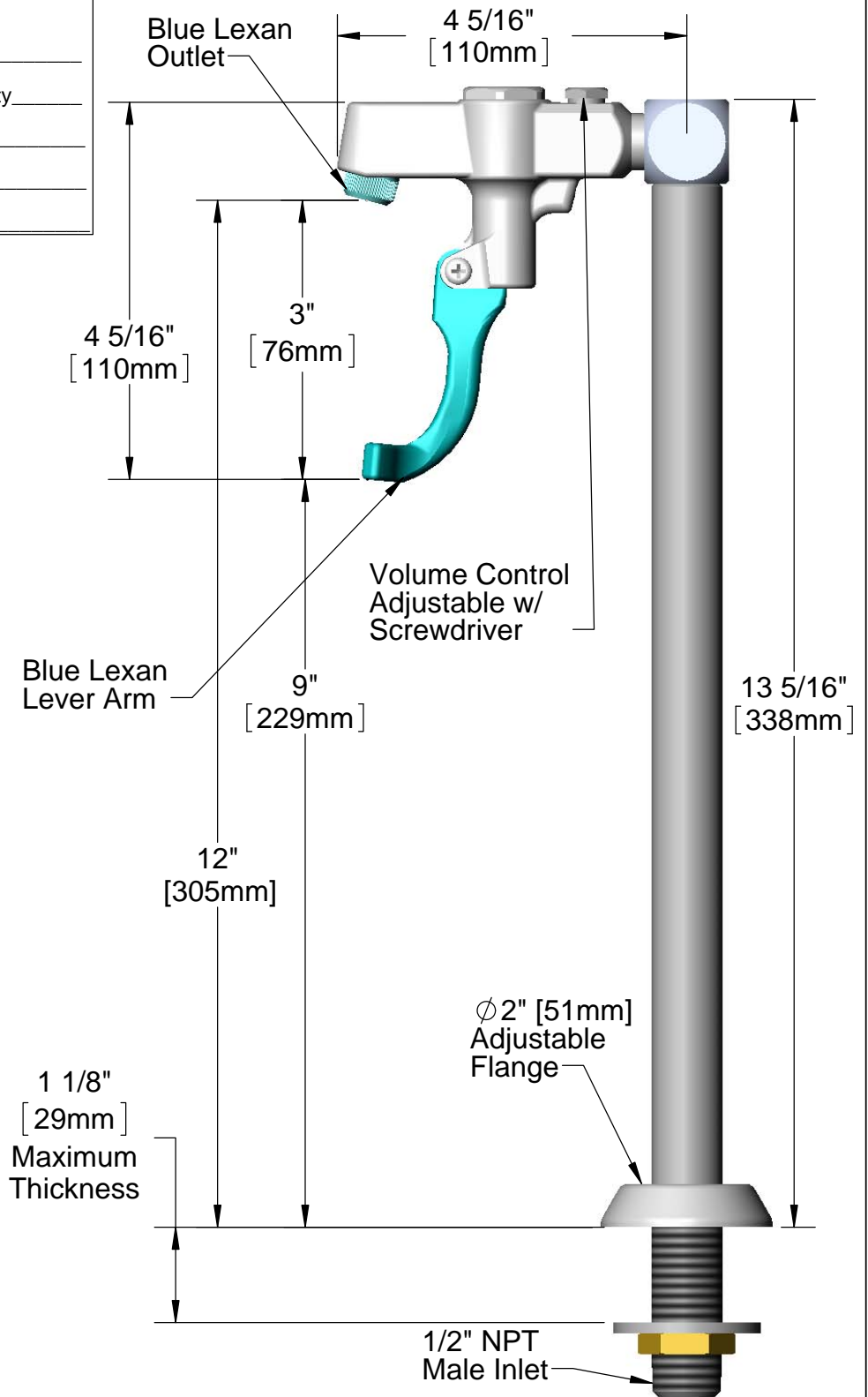
equip Foodservice Accessories  
 2 Saddleback Cove, P.O. Box 1088  
 Travelers Rest, South Carolina 29690  
 Phone: 800.891.4808 Fax: 800.868.0084

*This Space for Architect/Engineer Approval*

Job Name \_\_\_\_\_ Date \_\_\_\_\_  
 Model Specified \_\_\_\_\_ Quantity \_\_\_\_\_  
 Customer/Wholesaler \_\_\_\_\_  
 Contractor \_\_\_\_\_  
 Architect/Engineer \_\_\_\_\_



**TOP VIEW**



Rough-In Requirement:  
 Ø1" [25mm] Hole

Model Number 5GF-12P	Date 06/11/12	Scale 1:2	Drawn JRM	Checked KJG	Approved JHB
-------------------------	------------------	--------------	--------------	----------------	-----------------



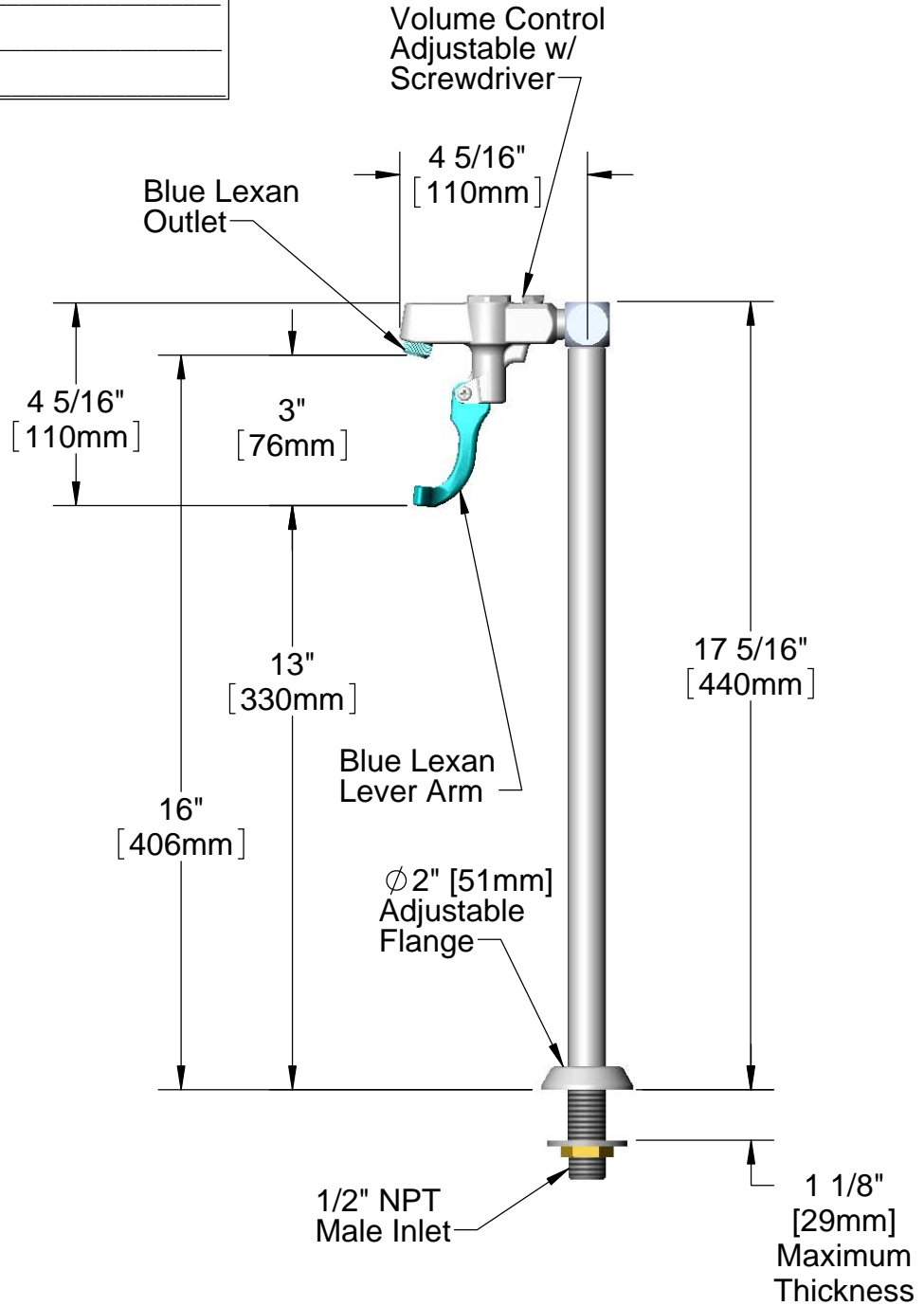
Product Specifications:

Pedestal Type Glass Filler, Push Back Design, 1/2" NPT Male Shank, Adjustable Flange, Blue Self-Closing Lexan Arm

equip Foodservice Accessories  
 2 Saddleback Cove, P.O. Box 1088  
 Travelers Rest, South Carolina 29690  
 Phone: 800.891.4808 Fax: 800.868.0084

This Space for Architect/Engineer Approval

Job Name \_\_\_\_\_ Date \_\_\_\_\_  
Model Specified \_\_\_\_\_ Quantity \_\_\_\_\_  
Customer/Wholesaler \_\_\_\_\_  
Contractor \_\_\_\_\_  
Architect/Engineer \_\_\_\_\_



Model Number 5GF-16P	Date 06/11/12	Scale 1:4	Drawn JRM	Checked KJG	Approved JHB
-------------------------	------------------	--------------	--------------	----------------	-----------------



Product Specifications:

Pedestal Type Glass Filler, Push Back Design, 1/2" NPT Male Shank, Adjustable Flange, Blue Self-Closing Lexan Arm

equip Foodservice Accessories  
2 Saddleback Cove, P.O. Box 1088  
Travelers Rest, South Carolina 29690  
Phone: 800.891.4808 Fax: 800.868.0084