



T&S BRASS AND BRONZE WORKS, INC.
 2 Saddleback Cove / P.O. Box 1088
 Travelers Rest, SC 29690

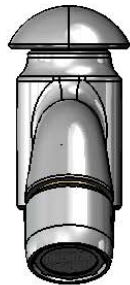
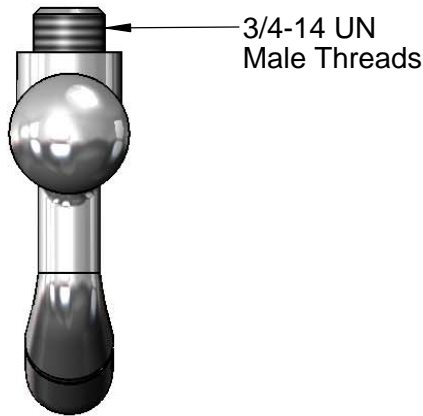
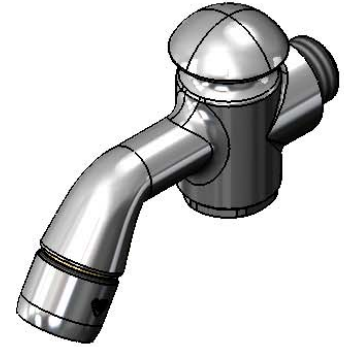
Model No.
002858-40

Item No.

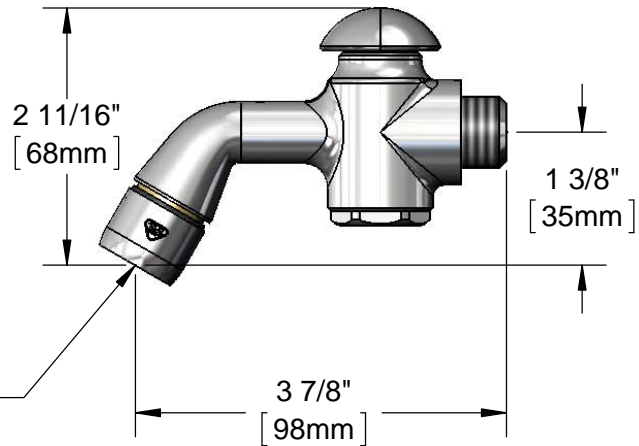
Travelers Rest, SC: 800-476-4103 • Simi Valley, CA: 800-423-0150 • Fax: 864-834-3518 • www.tsbrass.com

This Space for Architect/Engineer Approval

Job Name _____ Date _____
 Model Specified _____ Quantity _____
 Customer/Wholesaler _____
 Contractor _____
 Architect/Engineer _____



B-0199-02
2.2 GPM Aerator



Product Specifications:
 B-0101-A Push Button Spray Valve w/ 2.2 GPM Aerator

Drawn DHL	Checked KJG	Approved JHB
Scale: 1:2		Date: 07/30/13



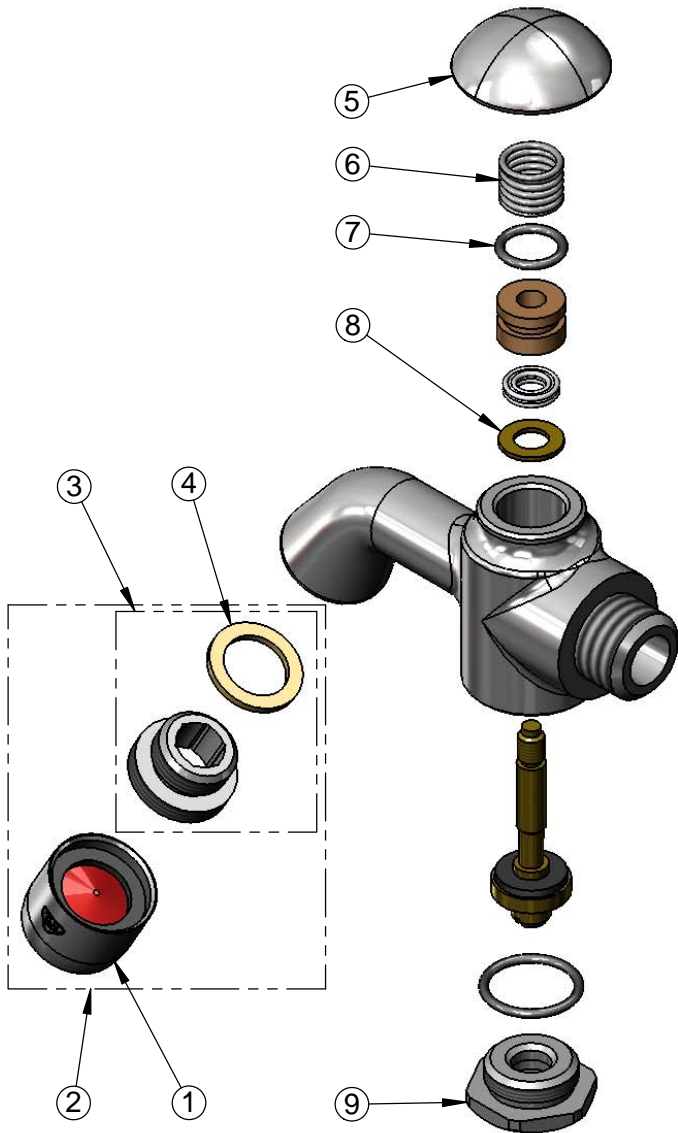
T&S BRASS AND BRONZE WORKS, INC.
 2 Saddleback Cove / P.O. Box 1088
 Travelers Rest, SC 29690

Model No.
002858-40

Item No.

Travelers Rest, SC: 800-476-4103 • Simi Valley, CA: 800-423-0150 • Fax: 864-834-3518 • www.tsbrass.com

ITEM NO.	SALES NO.	DESCRIPTION
1	B-0199-01	2.2 GPM Aerator, 55/64"-27 UN Female
2	B-0199-02	2.2 GPM Aerator w/ Adapter & Washer
3	044A	3/8" to Aerator Adapter
4	001043-45	Washer
5	000622-40	Mushroom Cap
6	000894-45	Spring
7	001063-45	O-ring
8	000974-45	B-107 Bonnet Washer
9	000623-40	Hex Cap



Product Specifications:
 B-0101-A Push Button Spray Valve w/ 2.2 GPM Aerator

Drawn DHL	Checked KJG	Approved JHB
Scale: NTS		Date: 07/30/13