



T&S BRASS AND BRONZE WORKS, INC.
 2 Saddleback Cove / P.O. Box 1088
 Travelers Rest, SC 29690

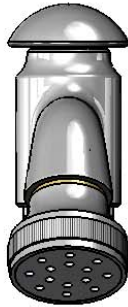
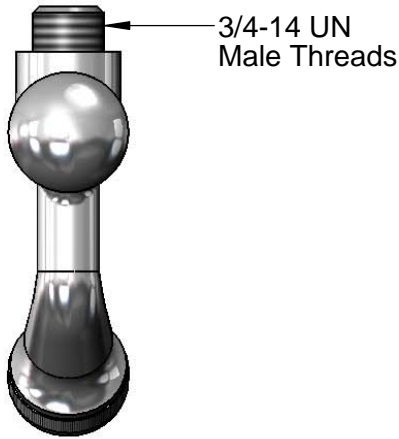
Model No.
002857-40

Item No.

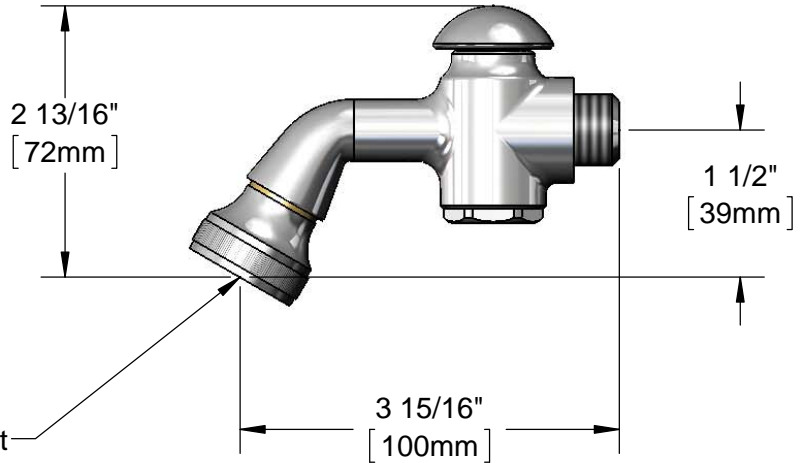
Travelers Rest, SC: 800-476-4103 • Simi Valley, CA: 800-423-0150 • Fax: 864-834-3518 • www.tsbrass.com

This Space for Architect/Engineer Approval

Job Name _____ Date _____
 Model Specified _____ Quantity _____
 Customer/Wholesaler _____
 Contractor _____
 Architect/Engineer _____



B-0103
Rosespray Outlet



Product Specifications:
 016A Push Button Spray Valve w/ Rosespray Outlet

Drawn DHL	Checked KJG	Approved JHB
Scale: 1:2		Date: 07/30/13



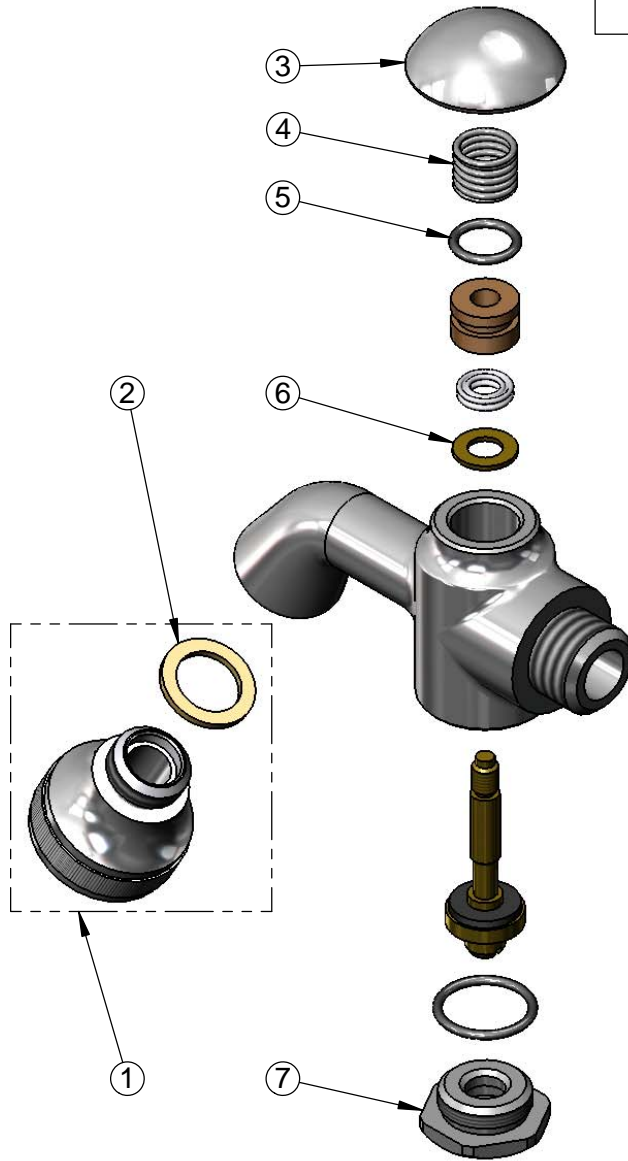
T&S BRASS AND BRONZE WORKS, INC.
 2 Saddleback Cove / P.O. Box 1088
 Travelers Rest, SC 29690

Model No.
002857-40

Item No.

Travelers Rest, SC: 800-476-4103 • Simi Valley, CA: 800-423-0150 • Fax: 864-834-3518 • www.tsbrass.com

ITEM NO.	SALES NO.	DESCRIPTION
1	B-0103	Rosespray Outlet w/ 3/8" NPT Male Threads
2	001043-45	Washer
3	000622-40	Mushroom Cap
4	000894-45	Spring
5	001063-45	O-ring
6	000974-45	B-107 Bonnet Washer
7	000623-40	Hex Cap



Product Specifications:
 016A Push Button Spray Valve w/ Rosespray Outlet

Drawn DHL	Checked KJG	Approved JHB
Scale: NTS		Date: 07/30/13