



T&S BRASS AND BRONZE WORKS, INC.
 2 Saddleback Cove / P.O. Box 1088
 Travelers Rest, SC 29690

Model No.
002851-40

Item No.

Travelers Rest, SC: 800-476-4103 • Simi Valley, CA: 800-423-0150 • Fax: 864-834-3518 • www.tsbrass.com

This Space for Architect/Engineer Approval

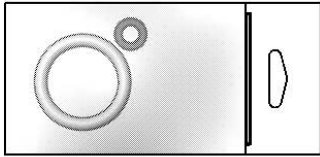
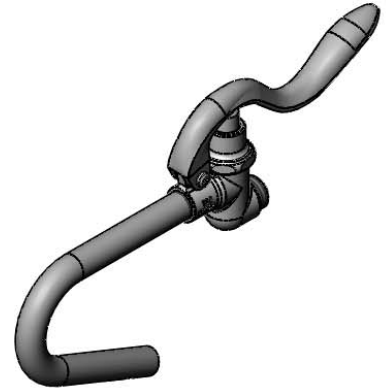
Job Name _____ Date _____

Model Specified _____ Quantity _____

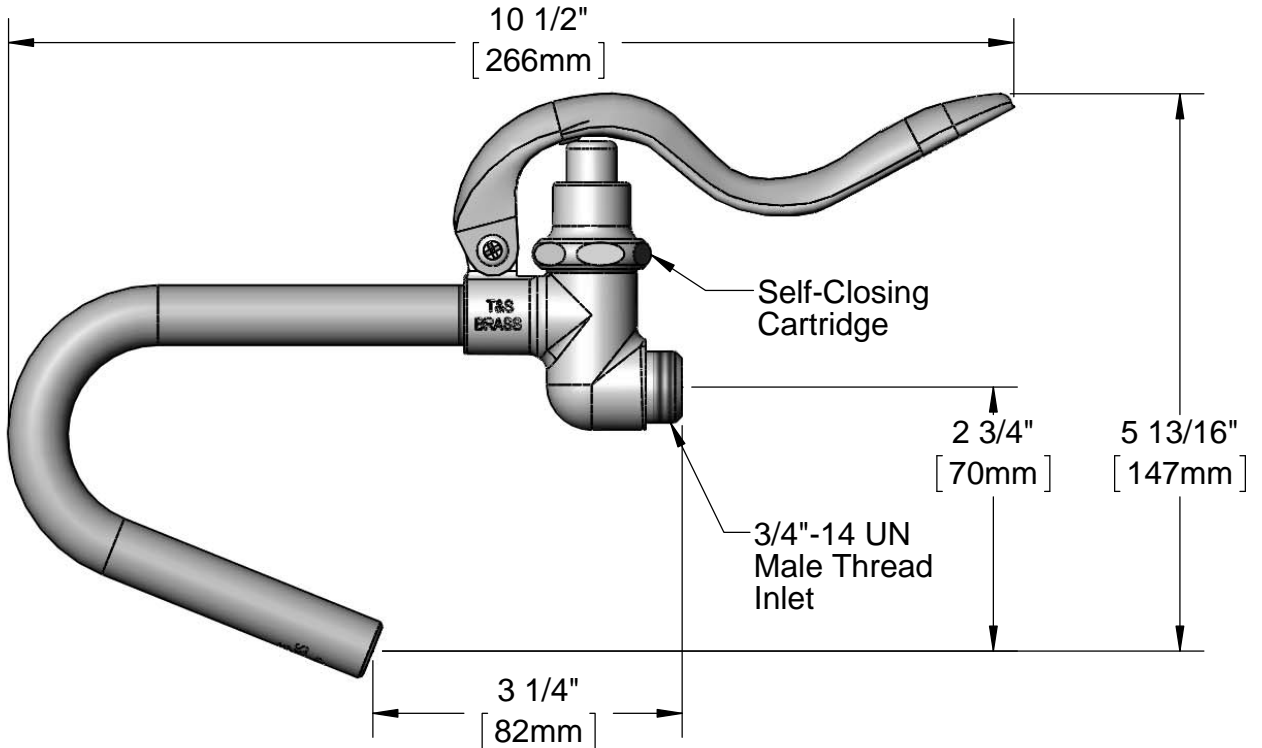
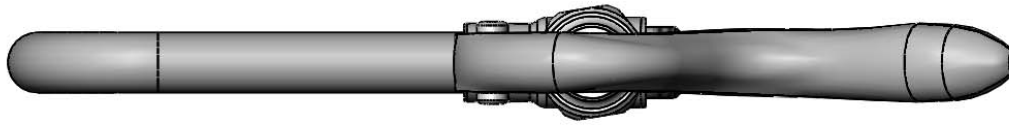
Customer/Wholesaler _____

Contractor _____

Architect/Engineer _____



Washer & Hold Down Ring
(Included)



Product Specifications:
 Self-Closing Hook Nozzle & Spray Valve

Drawn DHL	Checked DMH	Approved JHB
Scale: 1:2		Date: 08/27/12



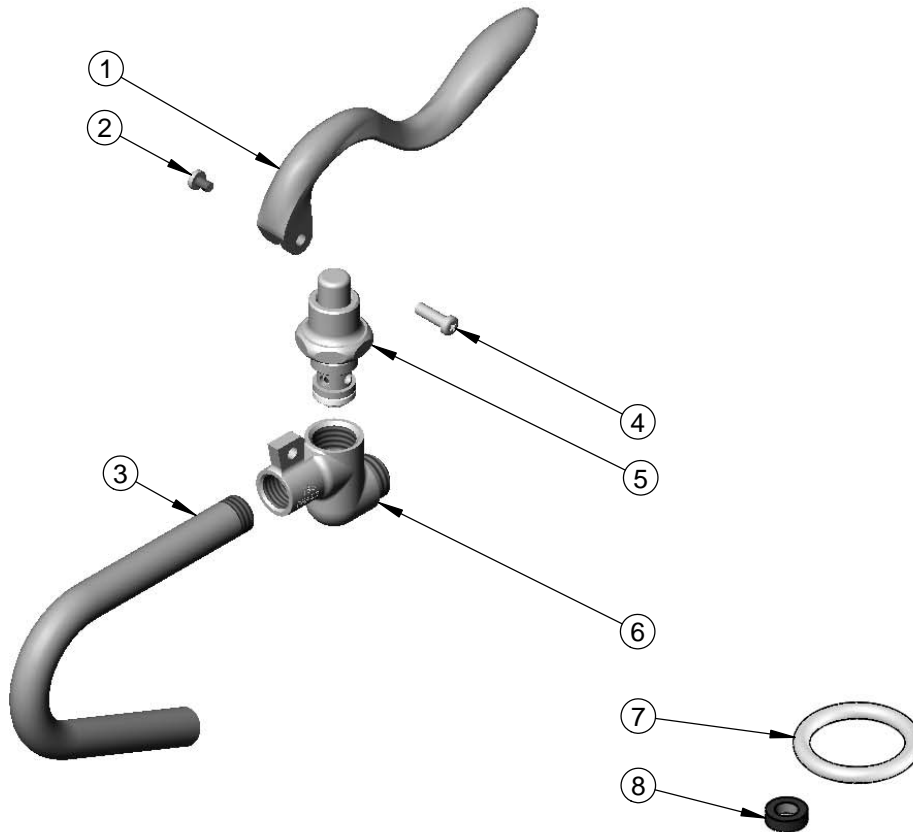
T&S BRASS AND BRONZE WORKS, INC.
 2 Saddleback Cove / P.O. Box 1088
 Travelers Rest, SC 29690

Model No.
002851-40

Item No.

Travelers Rest, SC: 800-476-4103 • Simi Valley, CA: 800-423-0150 • Fax: 864-834-3518 • www.tsbrass.com

ITEM NO.	SALES NO.	DESCRIPTION
1	001120-45	Spray Valve Handle
2	003199-45	Handle Screw, Spray Valve
3	000287-40	Nozzle, B-102A
4	003198-45	Handle Nut, Spray Valve
5	002856-40	Bonnet Asm, Spray Valve
6	000065-40	Body, B-0107
7	000907-45	Hold Down Ring
8	010476-45	Washer



Product Specifications:
 Self-Closing Hook Nozzle & Spray Valve

Drawn DHL	Checked DMH	Approved JHB
---------------------	-----------------------	------------------------

Scale: NTS	Date: 08/27/12
----------------------	--------------------------