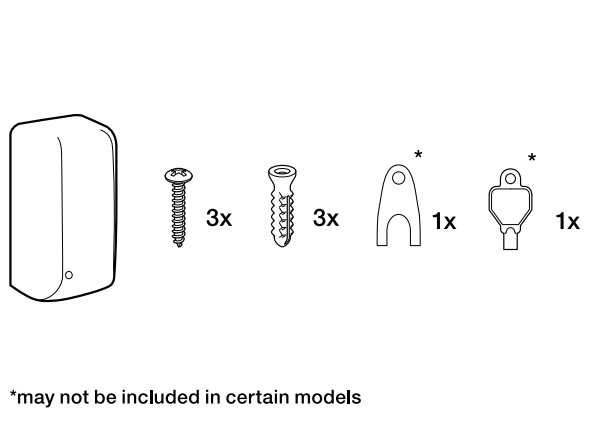
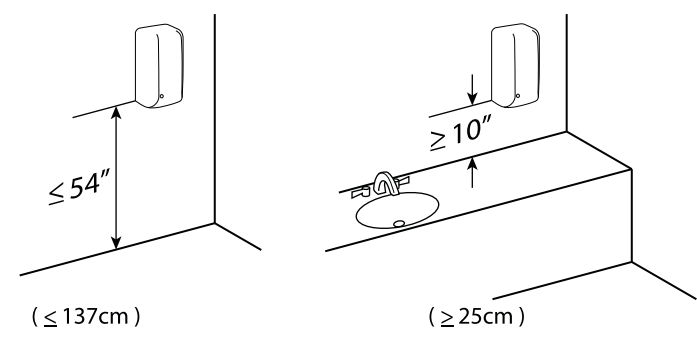


SENSOR FOAM SOAP DISPENSER

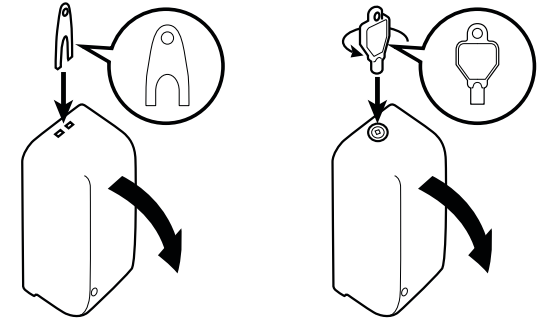
Installation Instructions



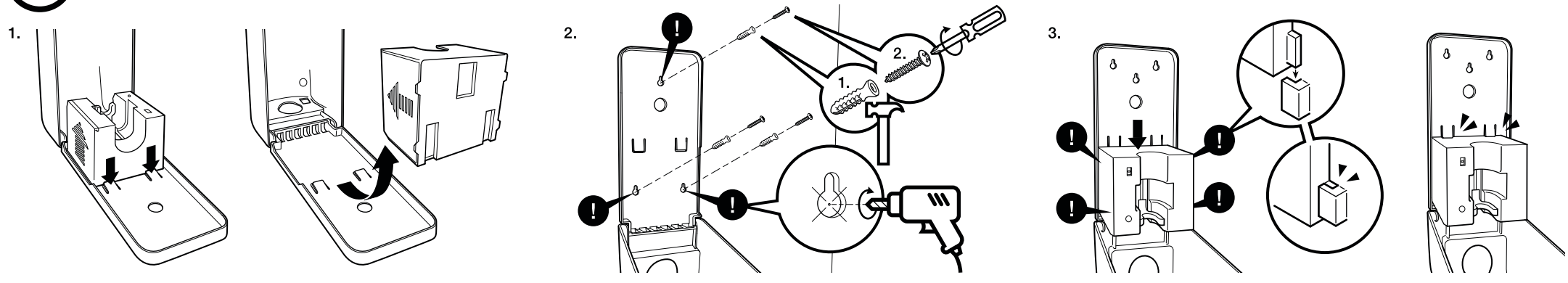
Recommended Installation Height



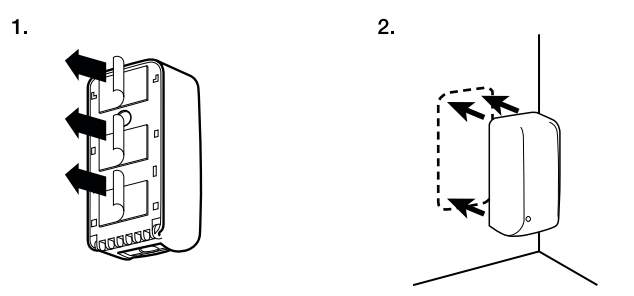
Open Dispenser



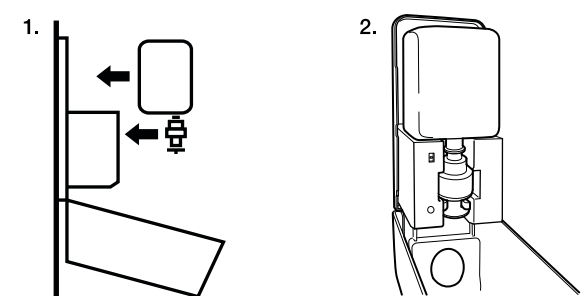
Installation with Screws



Installation with Adhesive Backing (no screws)



Install Cartridge



Install Batteries

