

- Specify color \_\_\_\_\_  
(See color chart in back of catalog)
- Model 3258 — Recessed
- Model 3258-10 — Semi-Recessed  
(recesses 2", projects 2")
- Model 3258-11 — Surface-Mounted  
(projects 4")
- Accent Series — Color Laminate
- 2.8-Gallon Capacity

### Product Materials

**CABINET:** 22 gauge stainless steel with exposed surfaces in architectural satin finish. Welded construction with seamless corners and burr-free edges.

**DOOR:** 5/16" thick solid laminate, made of colored Melamine bonded under high pressure to a phenolic core. All exposed edges are machined smooth to a uniform dark finish. Attached to cabinet with full-length, heavy-duty stainless steel piano hinge. Equipped with a latch. Tumbler lock optional.

**WASTE RECEPTACLE INSERT:** leakproof molded plastic.

**PUSH FLAP DOOR:** same material as cabinet door. Heavy-duty stainless steel piano hinge.

### Capacity

2.8 gal. (0.37 cu. ft.)

### Operation

Waste receptacle insert removable by unlocking cabinet door.

### Installation

Verify all rough-in dimensions prior to installation. Recessed unit requires rough wall opening 12 3/4"W x 26 3/8"H x 4"D (semi-recessed unit only 2" deep). Secure to framing with mounting screws (included) at holes provided. Shim at screw points as required.

### Guide Specification

Recessed waste receptacle shall be fabricated of heavy gauge stainless steel. Cabinet door of 5/16" thick solid laminate with full-length piano hinge and secured by a latch. Removable 2.8-gal. leakproof molded plastic insert for waste receptacle.

**Overall dimensions: 14 1/4"W x 28 1/4"H x 4"D.**



### Optional Features

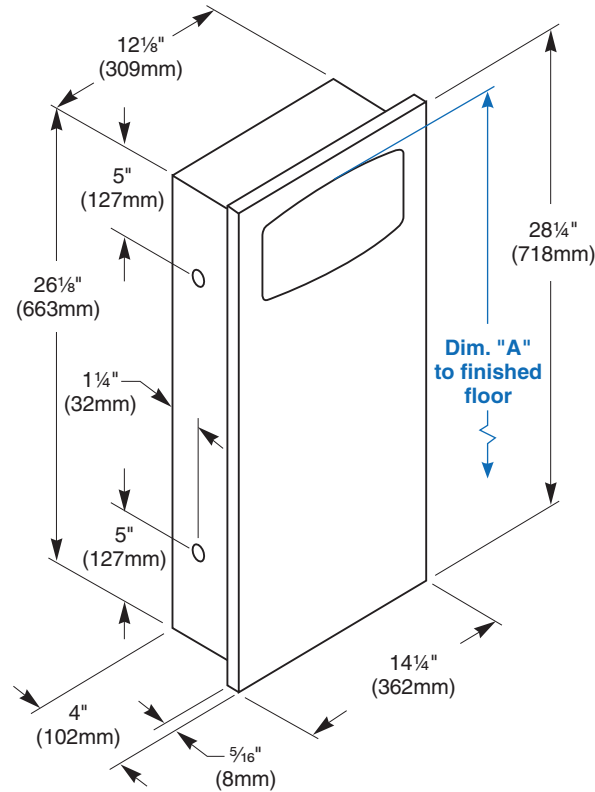
Feature	Suffix
<input type="checkbox"/> Tumbler Locks	-15

### ADA Compliant

- Consult local and national accessibility codes for proper installation guidelines.
- Conformity and compliance to local and national codes is the responsibility of the installer.

Washroom Accessories  
Document No. 8290

### Dimensions



<b>Dim. "A" Key Surface:</b>	For Dim. "A"	Top of Rough Wall Opening	Bottom of Rough Wall Opening
Top of door (5 1/2" door opening) to finished floor	48" (1219mm)	49" (1245mm)	22 5/8" (568mm)
	45" (1143mm)	46" (1168mm)	19 5/8" (492mm)
	42" (1067mm)	43" (1092mm)	16 5/8" (416mm)
	40" (1016mm)	41" (1041mm)	14 5/8" (365mm)
<b>Rough wall opening:</b>			
Surface Mount:	No rough opening, see overall dimensions		
Recessed:	12 5/8" (321mm) Wide x 26 5/8" (677mm) High x 4" (102mm) Deep		
Semi-Recessed:	12 5/8" (321mm) Wide x 26 5/8" (677mm) High x 2" (51mm) Deep		

**Washroom Accessories  
Document No. 8290**