

- Model 2A25-3600 — Recessed**  
(recesses 9<sup>13</sup>/<sub>16</sub>" ; projects 4<sup>7</sup>/<sub>8</sub>" )
- Model 2A25-1036 — Semi-Recessed**  
(recesses 4" ; projects 10<sup>11</sup>/<sub>16</sub>" )
- Model 2A25-1136 — Surface-Mounted**  
(projects 14<sup>11</sup>/<sub>16</sub>" )

- Diplomat Series
- Roll Paper Towels

**Product Materials**

**CABINET:** 0.030-inch/22ga.-(0.76 mm) stainless steel with exposed surfaces in architectural satin finish. Welded construction with seamless corners and burr-free edges.

**FLANGE:** 0.030-inch/22ga.-(0.76 mm) stainless steel with exposed surfaces in architectural satin finish. One piece seamless construction, 1" wide with 1/4" return.

**DOOR:** 0.030-inch/22ga.-(0.76 mm) stainless steel with full length piano hinge and tumbler lock keyed like other Bradley units.

**WASTE CONTAINER:** 0.030-inch/22ga.-(0.76 mm) stainless steel with exposed surfaces in architectural satin finish. All welded construction. Secured to cabinet with tumbler lock keyed like other Bradley units. Front of cabinet has matching curvature to other Bradley Diplomat washroom accessories.

**Capacity**

Towel Dispenser — one standard core 8"W x 8"D roll paper towel. Waste Container — 21 gal. (2.8 cu. ft.)

**Operation**

Towel dispenser delivers preset length of towel (10" per stroke). Receptacle removable for servicing by unlocking waste container. Operates with less than 5 lbs. of force.

**Installation**

Verify all rough-in dimensions prior to installation. Recessed unit requires rough wall opening 15<sup>5</sup>/<sub>8</sub>"W x 54<sup>5</sup>/<sub>8</sub>"H x 9<sup>7</sup>/<sub>8</sub>"D (Semi-recessed unit only 4" deep). Secure to framing with mounting screws (not included) at holes provided. Shim at screw points as required. Surface mounted units must have holes drilled by installer.

**For information on Warranties, Maintenance and BAA/ARRA Compliance, visit our web site at: [bradleycorp.com/products/accessories/](http://bradleycorp.com/products/accessories/).**

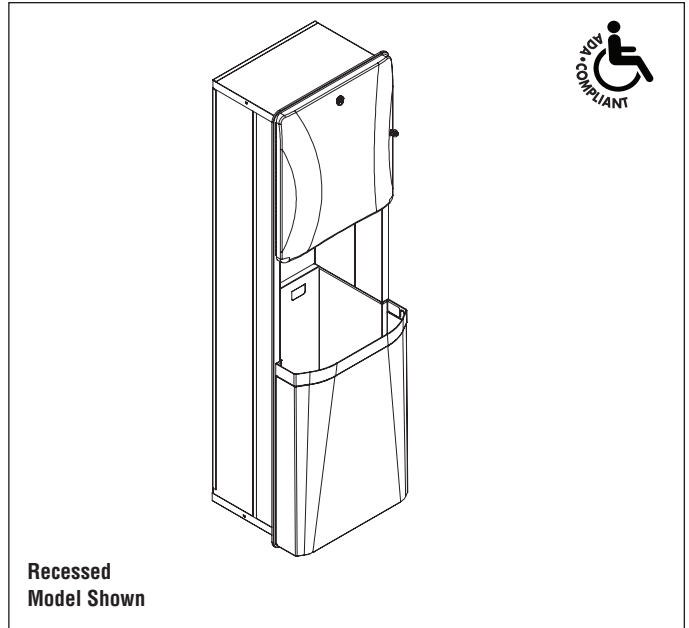
Washroom Accessories  
Document No. 9419

Page 1 of 2

This information is subject to change without notice.

Always consult local and national codes for proper installation guidelines. Conformity and compliance to local and national codes is the responsibility of the installer.

12/19/2012



Recessed Model Shown

**Optional:**

- AC Conversion Kit (#P15-459)
- Vinyl Liner Part #P11-043

**Guide Specification**

Sensor-activated roll paper towel dispenser and 21 gal./2.8 cu. ft. capacity waste receptacle in [recessed] [semi-recessed] [surface-mounted] wall cabinet. Towel dispenser door and waste receptacle faces formed with contemporary contours, radii, and finish matching related accessories in manufacturer's designer series. Towel dispenser capacity one: 8- inch wide by 8-inch diameter standard paper towel roll with sensor-activated towel dispensing mechanism, with hinged service door with keyed tumbler lock. Waste receptacle removable from cabinet with keyed tumbler lock. Universal keying. Formed from stainless steel sheet with satin finish on exposed surfaces, fully welded, with seamless corners and burr-free edges: cabinet and flange 0.030-inch / 22-ga. thick; door and waste receptacle 0.036-inch / 20-ga. thick. Towel dispenser operates with 4: D-size alkaline batteries.

**Overall dimensions: 17<sup>1</sup>/<sub>8</sub>"W x 56"H x 14<sup>1</sup>/<sub>16</sub>"D.**

**MasterFormat Title:** Commercial Toilet Accessories

**MasterFormat Number:** 10 28 13.13

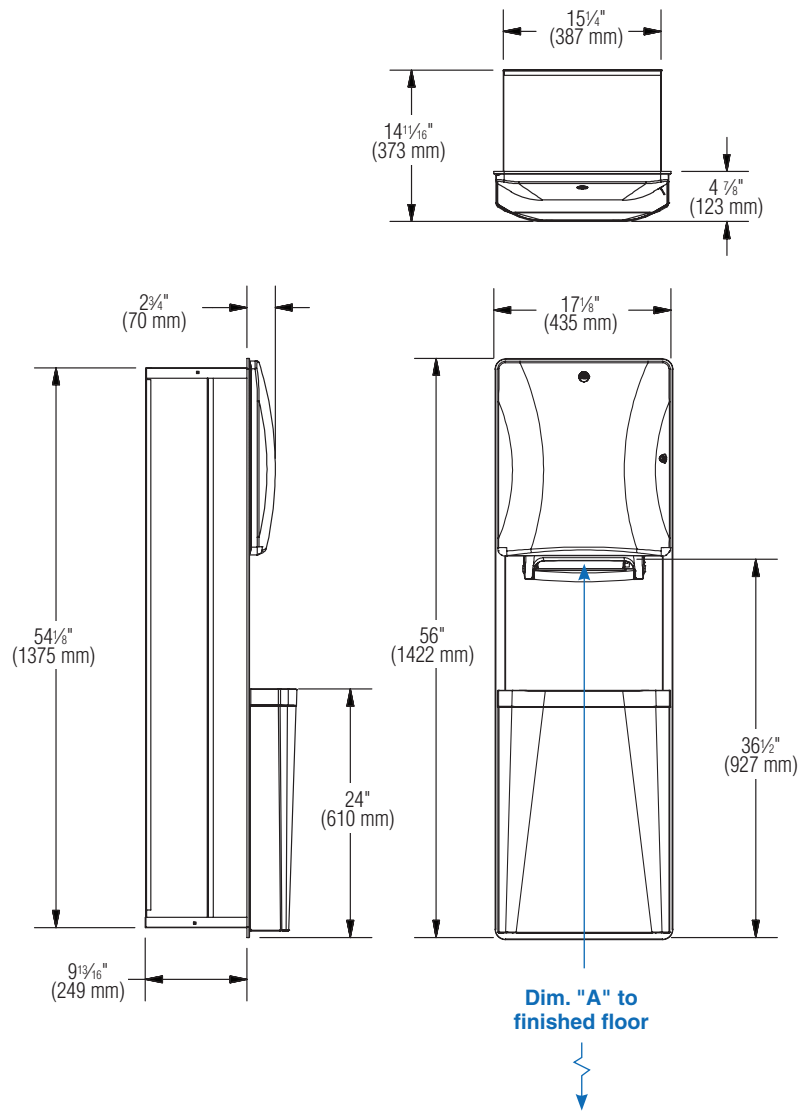
**OmniClass Title:** Toilet and Bath Specialties

**OmniClass Code:** 23.31.25.00

**ADA Compliant**

- Consult local and national accessibility codes for proper installation guidelines.
- Conformity and compliance to local and national codes is the responsibility of the installer.

Dimensions



Dim. "A" Key Surface:	For Dim. "A"	Locate Top of Rough Wall Opening	Locate Bottom of Rough Wall Opening
Paper towel top of opening to finished floor	48" (1219mm)	66 1/4" (1683mm)	11 3/4" (298mm)
	45" (1143mm)	63 1/4" (1607mm)	8 3/4" (222mm)
	42" (1067mm)	60 1/4" (1530mm)	5 3/4" (146mm)
	40" (1016mm)	58 1/4" (1480mm)	3 3/4" (95mm)

Washroom Accessories  
Document No. 9419