



- Model 2A00 — Recessed**
(recesses 3-13/16"; projects 2-3/4")
- Model 2A00-10 — Semi-Recessed**
(recesses 2"; projects 4-9/16")
- Diplomat Series
- Folded Paper Towels

Product Materials

CABINET: 0.030-inch/22ga.-(0.76 mm) stainless steel with exposed surfaces in architectural satin finish.

FLANGE: 0.030-inch/22ga.-(0.76 mm) stainless steel with exposed surfaces in architectural satin finish. One-piece seamless construction, 1" wide with 1/4" return.

DOOR: 0.036-inch/20ga.-(0.92 mm) stainless steel with full length piano hinge and tumbler lock keyed like other Bradley units. Front of door has matching curvature to other Bradley Diplomat washroom accessories.

TOWEL DISPENSER: 0.030-inch/22ga.-(0.76 mm) stainless steel. Rolled edge on dispenser opening, hemmed edges.

Capacity

800 multi fold or 600 C-fold paper towels.

Operation

Towel dispenser holds multi-fold or C-fold towels without use of special adapter.

Installation

Verify all rough-in dimensions prior to installation. Recessed unit requires rough wall opening 15-1/2" W x 29-1/8"H x 4"D (Semi-recessed unit only 3-1/2"D). Secure to framing with mounting screws (not included) at holes provided. Shim at screw points as required.

Guide Specification

Folded paper towel dispenser in [recessed] [semi-recessed] wall cabinet. Towel dispenser door formed with contemporary contours, radii, and finish matching related accessories in manufacturer's designer series. Towel dispenser capacity 800 multi-fold or 600 C-fold paper towels, accessed with hinged service door with keyed tumbler lock. Dispenses using less than 5 lbs. of force. Universal keying. Formed from stainless steel sheet with satin finish on exposed surfaces, fully welded, with seamless corners and burr-free edges: cabinet and flange 0.030-inch / 22-ga. thick; door 0.036-inch / 20-ga. thick.

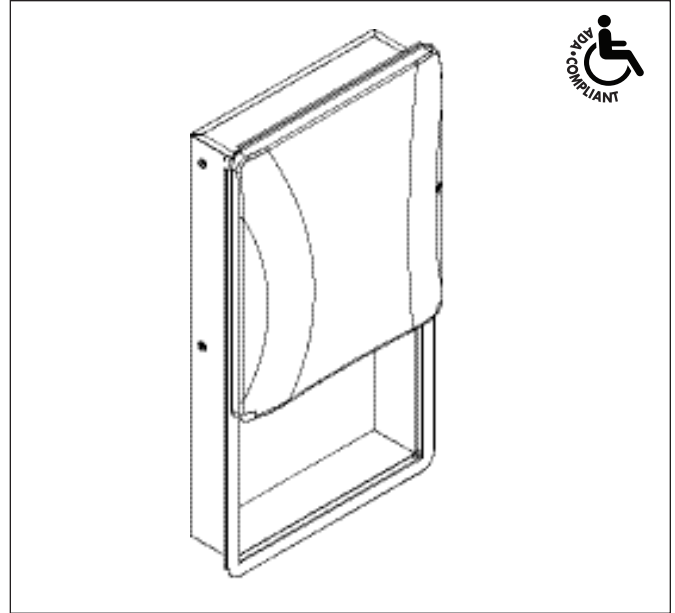
Overall dimensions: 17-1/8"W x 30-5/8"H x 6-9/16"D.

MasterFormat Title: Commercial Toilet Accessories

MasterFormat Number: 10 28 13.13

OmniClass Title: Toilet and Bath Specialties

OmniClass Code: 23.31.25.00



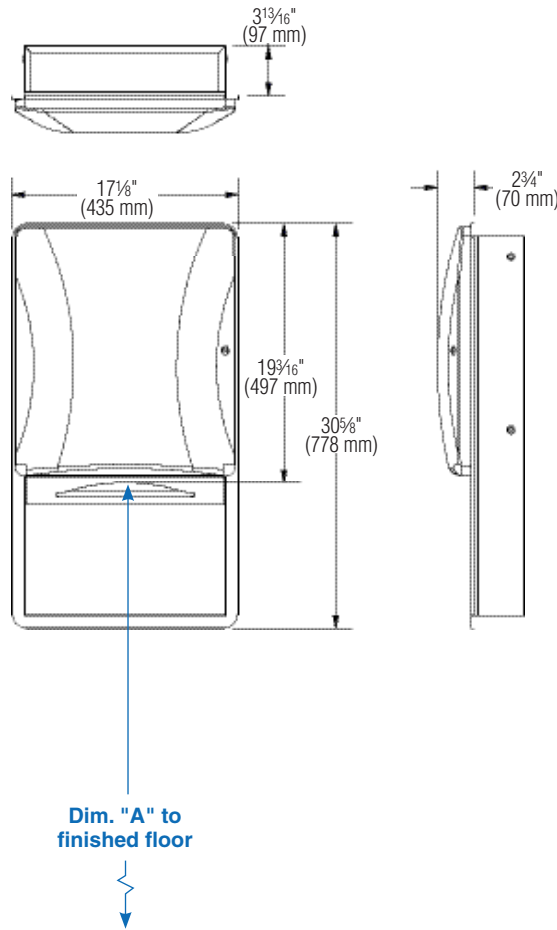
ADA Compliant

- Consult local and national accessibility codes for proper installation guidelines.
- Conformity and compliance to local and national codes is the responsibility of the installer.

For information on Warranties, Maintenance and BAA/ARRA Compliance, visit our web site at: bradleycorp.com/products/accessories.



Dimensions



Dim. "A" Key Surface:	For Dim. "A"	Locate Top of Rough Wall Opening	Locate Bottom of Rough Wall Opening
Paper towel top of opening to finished floor	48" (1219mm)	66 1/4" (1683mm)	37 1/8" (943mm)
	45" (1143mm)	63 1/4" (1607mm)	34 1/8" (867mm)
	42" (1067mm)	60 1/4" (1530mm)	31 1/8" (791mm)
	40" (1016mm)	58 1/4" (1480mm)	29 1/8" (740mm)