

- Specify color \_\_\_\_\_  
(See color chart in back of catalog)
- Model 2298 — Recessed
- Model 2298-10 — Semi-Recessed  
(recesses 1<sup>5</sup>/<sub>8</sub>" ; projects 2<sup>5</sup>/<sub>16</sub>" )
- Model 2298-11 — Surface-Mounted  
(projects 3<sup>15</sup>/<sub>16</sub>" )
- Accent Series — Color Laminate

### Product Materials

**CABINET:** 22 gauge stainless steel with exposed surfaces in architectural satin finish. Welded construction with seamless corners and burr-free edges.

**DOOR:** 5/16" thick solid laminate, made of colored Melamine bonded under high pressure to a phenolic core. All exposed edges are machined smooth to a uniform dark finish. Attached to cabinet with full length, heavy duty stainless steel piano hinge. Equipped with two latches. Tumbler locks optional.

**TOWEL DISPENSER:** 22 gauge stainless steel. Rolled edge on dispenser opening.

**WASTE RECEPTACLE INSERT:** leakproof molded plastic.

### Capacity

Towel Dispenser — 475 multi-fold or 350 C-fold paper towels.  
Waste Receptacle Insert — 1.7 gal. (.22 cu. ft.)

### Operation

Towel dispenser holds multi-fold or C-fold towels without use of special adaptor. Waste receptacle insert removable by opening cabinet door.

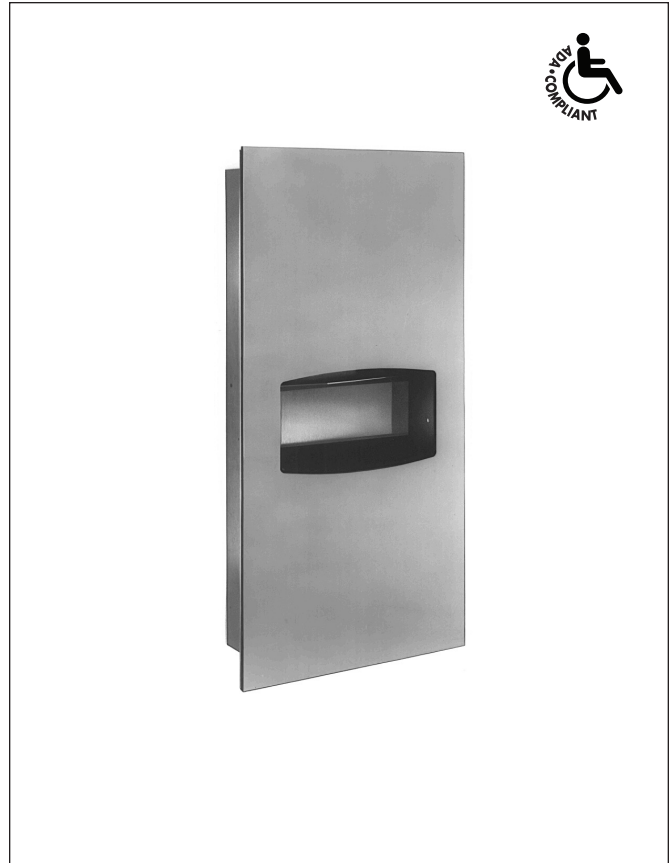
### Installation

Verify all rough-in dimensions prior to installation. Recessed unit requires rough wall opening 12<sup>1</sup>/<sub>4</sub>"W x 26<sup>5</sup>/<sub>8</sub>"H x 4"D (Semi-recessed unit only 1<sup>3</sup>/<sub>4</sub>" deep). Secure to framing with mounting screws (included) at holes provided. Shim at screw points as required. Surface-mounted units must have holes drilled by installer.

### Guide Specification

Recessed combination towel dispenser and waste receptacle shall be fabricated of heavy gauge stainless steel. Cabinet door of 5/16" thick solid laminate with full length piano hinge and secured by two latches. Towel dispenser capacity 475 multi-fold or 350 C-fold towels. Removable 1.7 gal. leakproof molded plastic insert for waste receptacle.

**Overall dimensions: 14<sup>1</sup>/<sub>4</sub>"W x 28<sup>1</sup>/<sub>4</sub>"H x 3<sup>15</sup>/<sub>16</sub>"D.**



### Optional Features

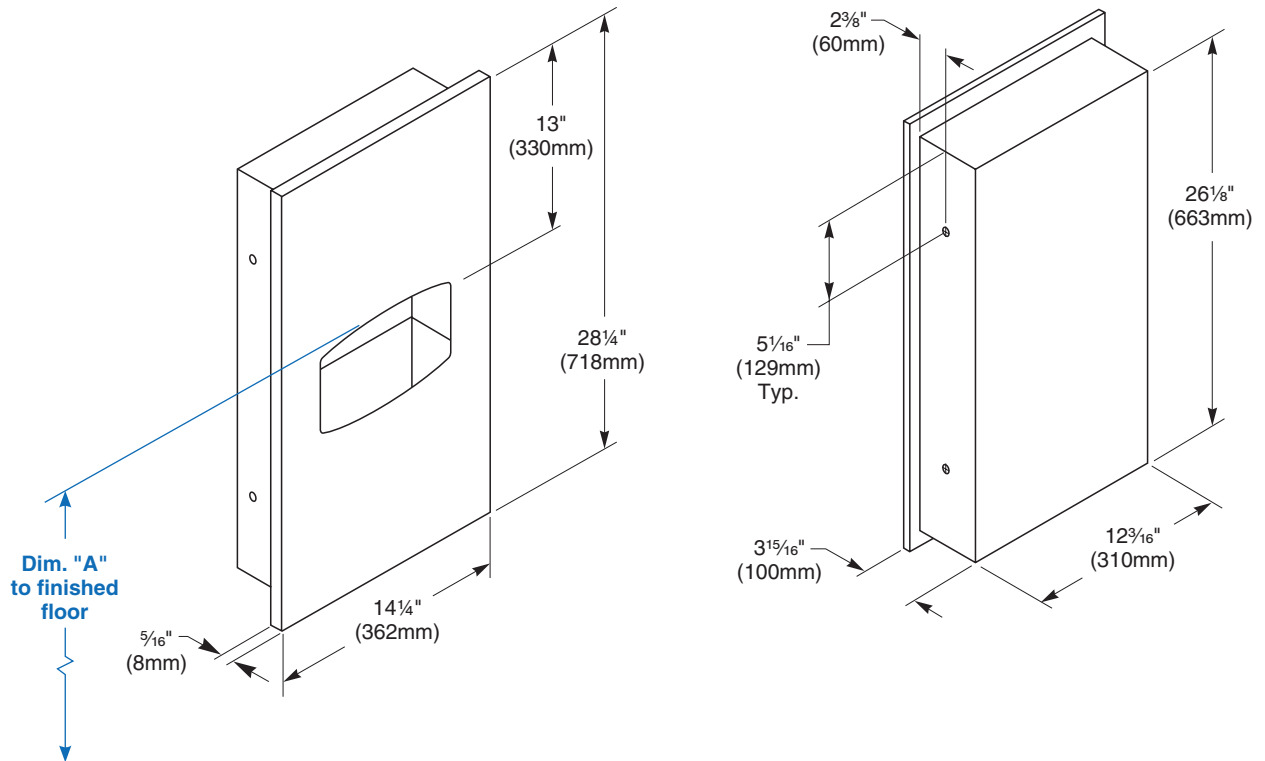
Feature	Suffix
<input type="checkbox"/> Tumbler lock	-15

### ADA Compliant

- Consult local and national accessibility codes for proper installation guidelines.
- Conformity and compliance to local and national codes is the responsibility of the installer.

Washroom Accessories  
Document No. 8125

**Dimensions**



<b>Dim. "A" Key Surface:</b>	For Dim. "A"	Top of Rough Wall Opening	Bottom of Rough Wall Opening
Paper towel top of opening to finished floor	48" (1219mm)	59" (1499mm)	32 <sup>3</sup> / <sub>8</sub> " (822mm)
	45" (1143mm)	56" (1422mm)	29 <sup>3</sup> / <sub>8</sub> " (746mm)
	42" (1067mm)	53" (1346mm)	26 <sup>3</sup> / <sub>8</sub> " (670mm)
	40" (1016mm)	51" (1295mm)	24 <sup>3</sup> / <sub>8</sub> " (619mm)
<b>Rough wall opening:</b>			
Surface Mount:	No rough opening, see overall dimensions		
Recessed:	12 <sup>2</sup> / <sub>8</sub> " (323mm) Wide x 26 <sup>5</sup> / <sub>8</sub> " (677mm) High x 4" (102mm) Deep		
Semi-recessed:	12 <sup>2</sup> / <sub>8</sub> " (323mm) Wide x 26 <sup>5</sup> / <sub>8</sub> " (677mm) High x 1 <sup>3</sup> / <sub>4</sub> " (45mm) Deep		

**Washroom Accessories  
Document No. 8125**