

- Model 2251 — Recessed
- Model 2251-10 — Semi-Recessed (recesses 2"; projects 2")
- Model 2251-11 — Surface-Mounted (projects 4")
- Standard Series — Satin Finish

Product Materials

CABINET: 22 gauge stainless steel with exposed surfaces in architectural satin finish. Welded construction with seamless corners and burr-free edges.

FLANGE: 22 gauge stainless steel with exposed surfaces in architectural satin finish. One piece seamless construction, 1" wide with ¼" return.

DOORS: 18 gauge stainless steel, warp resistant, with full length piano hinge and tumbler lock keyed like other Bradley units.

TOWEL DISPENSER: 22 gauge stainless steel. Rolled edge on dispenser opening.

WASTE RECEPTACLE INSERT: leakproof molded plastic.

Capacity

Towel Dispenser — 450 multi-fold or 250 C-fold paper towels. Waste Receptacle Insert — 5.3 gal. (.71 cu. ft.)

Operation

Towel dispenser holds multi-fold or C-fold towels without use of special adaptor. Waste receptacle insert removable by unlocking receptacle door.

Installation

Verify all rough-in dimensions prior to installation. Recessed unit requires rough wall opening 12½"W x 57½"H x 4"D (Semi-recessed unit only 2" deep). Secure to framing with mounting screws (included) at holes provided. Shim at screw points as required. Surface-mounted units must have holes drilled by installer.

Guide Specification

Recessed combination towel dispenser and waste receptacle shall be fabricated of 22 gauge stainless steel with exposed surfaces in satin finish. Doors of nonflexing construction, equipped with full length piano hinges and tumbler locks. Towel dispenser capacity 450 multi-fold or 250 C-fold towels. Removable 5.3 gal. leakproof molded plastic insert for waste receptacle.

Overall dimensions: 14"W x 58¾"H x 4"D.

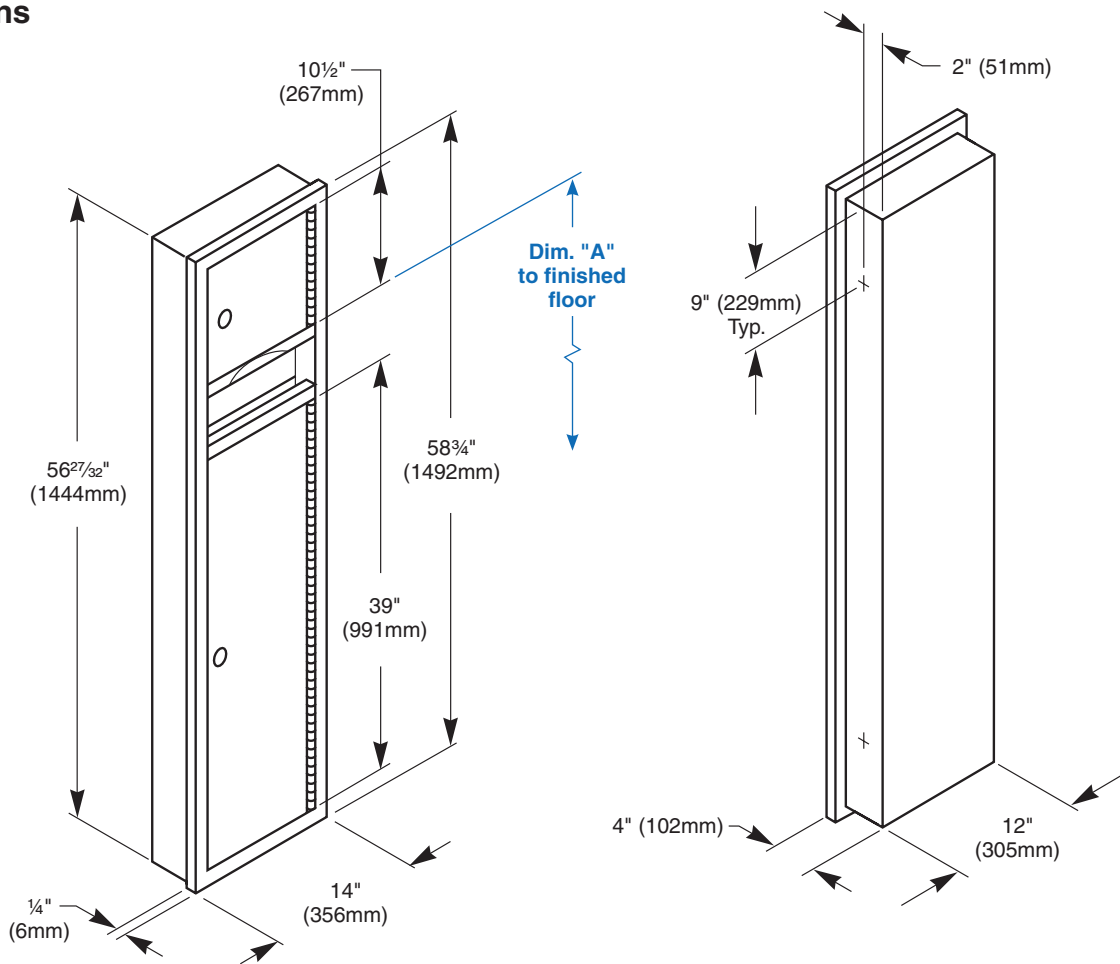


ADA Compliant

- Consult local and national accessibility codes for proper installation guidelines.
- Conformity and compliance to local and national codes is the responsibility of the installer.

Washroom Accessories
Document No. 8085

Dimensions



Dim. "A" Key Surface:	For Dim. "A"	Top of Rough Wall Opening	Bottom of Rough Wall Opening
Paper towel top of opening to finished floor	50" (1270mm)	60 3/4" (1543mm)	3 7/16" (87mm)
	48" (1219mm)	58 3/4" (1492mm)	1 7/16" (36mm)
Rough wall opening:			
Surface Mount:	No rough opening, see overall dimensions		
Recessed:	12 1/2" (318mm) Wide x 57 1/3" (1457mm) High x 4" (102mm) Deep		
Semi-recessed:	12 1/2" (318mm) Wide x 57 1/3" (1457mm) High x 2" (51mm) Deep		

**Washroom Accessories
Document No. 8085**