

- Specify color \_\_\_\_\_  
(See color chart in back of catalog)
- Model 2028 — Recessed
- Model 2028-10 — Semi-Recessed  
(recesses 2½"; projects 1⅞")
- Model 2028-11 — Surface-Mounted  
(projects 4⅜")
- Accent Series — Color Laminate

### Product Materials

**CABINET:** 22 gauge stainless steel with exposed surfaces in architectural satin finish. Welded construction with seamless corners and burr-free edges.

**DOOR:** ⅝" thick solid laminate, made of colored Melamine bonded under high pressure to a phenolic core. All exposed edges are machined smooth to a uniform dark finish. Attached to cabinet with full length, heavy duty stainless steel piano hinge. Equipped with two latches.

**TOWEL DISPENSER:** 22 gauge stainless steel. Rolled edge on dispenser opening.

**WASTE RECEPTACLE INSERT:** leakproof molded plastic.

### Capacity

Towel Dispenser — 800 multi-fold or 600 C-fold paper towels. Waste Receptacle Insert — 3.3 gal. (.44 cu. ft.)

### Operation

Towel dispenser holds multi-fold or C-fold towels without use of special adaptor. Waste receptacle insert removable by opening cabinet door.

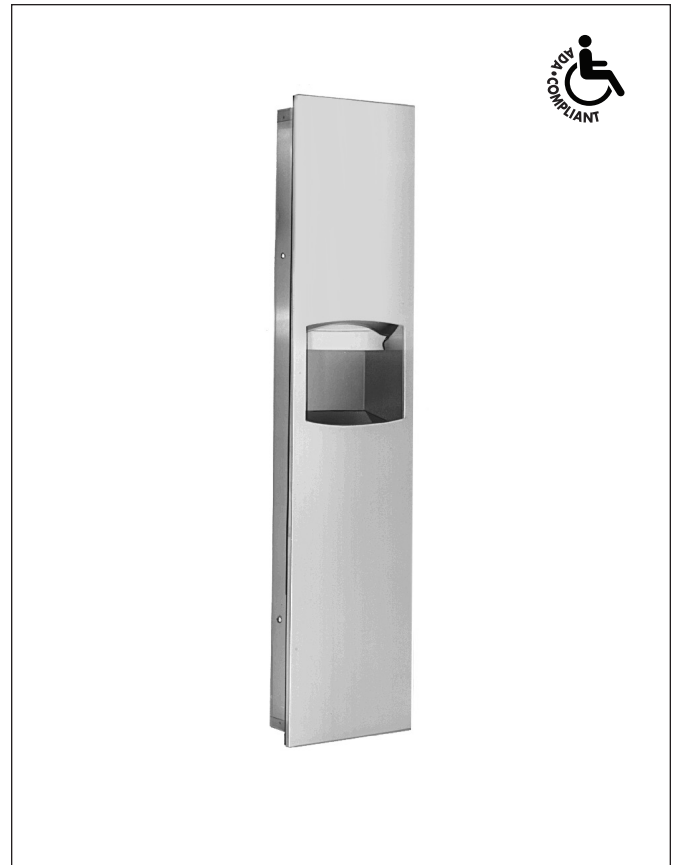
### Installation

Verify all rough-in dimensions prior to installation. Recessed unit requires rough wall opening 11¾"W x 53⅜"H x 4⅞"D (Semi-recessed unit only 2½" deep). Secure to framing with mounting screws (included) at holes provided. Shim at screw points as required. Surface-mounted units must have holes drilled by installer.

### Guide Specification

Recessed combination towel dispenser and waste receptacle shall be fabricated of heavy gauge stainless steel with exposed surfaces in satin finish. Cabinet door of ⅝" thick solid laminate with full length piano hinge and secured by two latches. Towel dispenser capacity 800 multi-fold or 600 C-fold towels. Removable 3.3 gal. leakproof molded plastic insert for waste receptacle.

**Overall dimensions: 13"W x 55"H x 4⅞"D.**



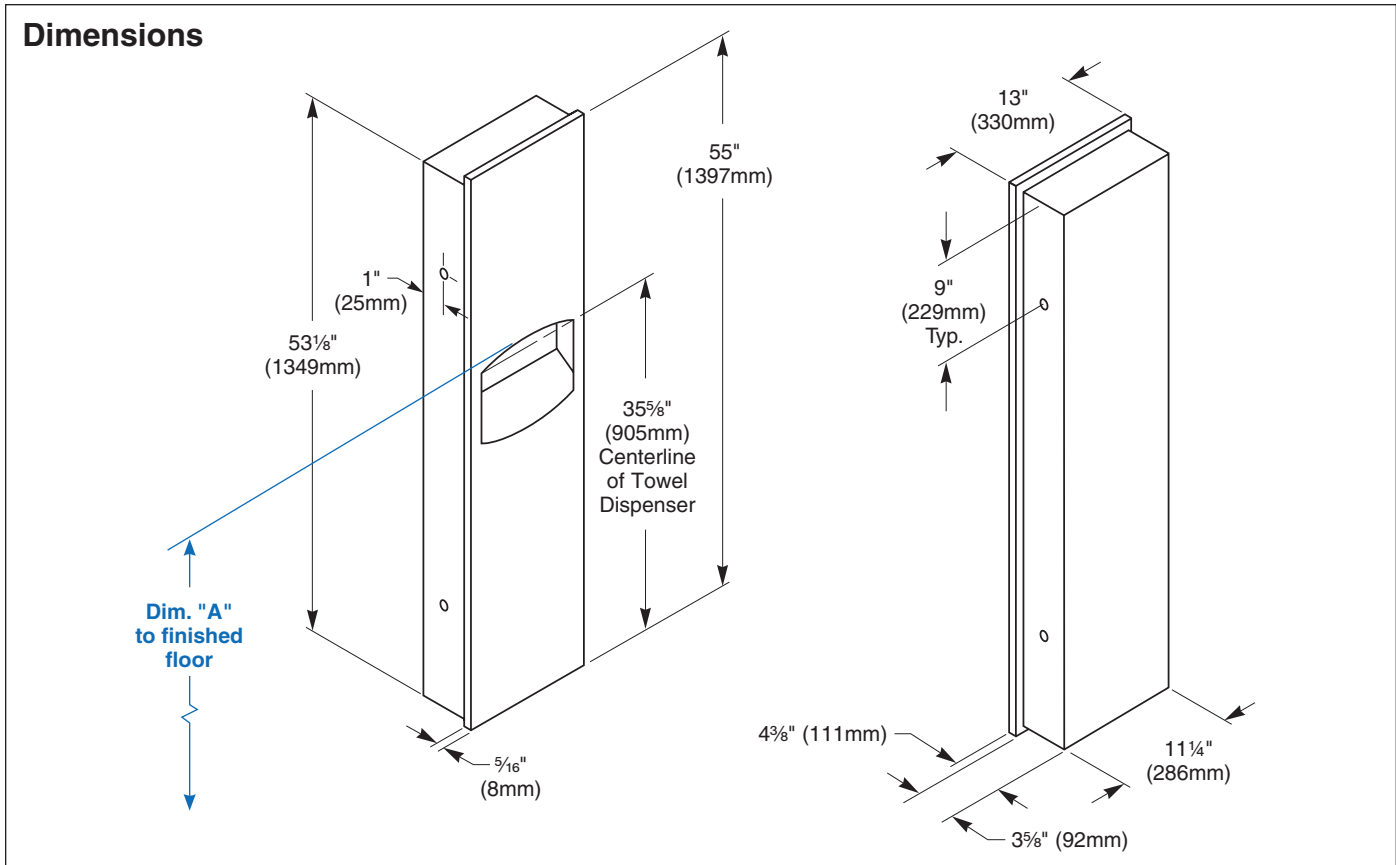
### Optional Features

Feature	Suffix
<input type="checkbox"/> Two (2) tumbler locks	-15

### ADA Compliant

- Consult local and national accessibility codes for proper installation guidelines.
- Conformity and compliance to local and national codes is the responsibility of the installer.

Washroom Accessories  
Document No. 8060



<b>Dim. "A" Key Surface:</b>	For Dim. "A"	Top of Rough Wall Opening	Bottom of Rough Wall Opening
Paper towel top of opening to finished floor	48" (1219mm)	66 1/4" (1683mm)	12 5/8" (321mm)
	45" (1143mm)	63 1/4" (1607mm)	9 5/8" (244mm)
	42" (1067mm)	60 1/4" (1530mm)	6 5/8" (168mm)
	40" (1016mm)	58 1/4" (1480mm)	4 5/8" (117mm)
<b>Rough wall opening:</b>			
Surface Mount:	No rough opening, see overall dimensions		
Recessed:	11 1/4" (299mm) Wide x 53 5/8" (1363mm) High x 4 3/8" (112mm) Deep		
Semi-recessed:	11 1/4" (299mm) Wide x 53 5/8" (1363mm) High x 2 1/2" (64mm) Deep		

**Washroom Accessories  
Document No. 8060**