

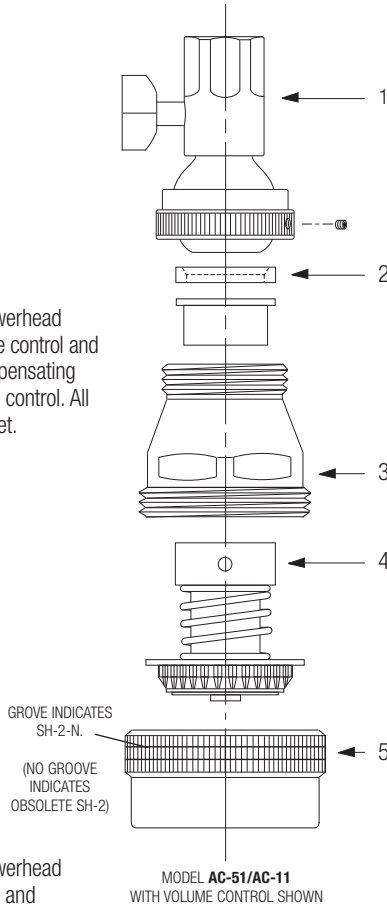
# Act-O-Matic® Showerhead



**AC-51 4021000**  
Self-cleaning chrome plated showerhead without (less) thumb screw volume control and universal ball joint. Pressure compensating 2.5 gpm/9.4 Lpm maximum flow control. All brass construction. 1/2" I.P.S. inlet.



**AC-11 4020100**  
Self-cleaning chrome plated showerhead with thumb screw volume control and universal ball joint. Pressure compensating 2.5 gpm/9.4 Lpm maximum flow control. All brass construction. 1/2" I.P.S. inlet.



## PARTS FOR ACT-O-MATIC® SHOWERHEAD AC-11/AC-51

Item No.	Code No.	Part No.	Description
1.	<b>3328026</b>	SH-1007-A	Ball Joint Coupling with Volume Control†
	<b>0328059</b>	AC-18-AV	Ball Joint Coupling less Volume Control
2.	<b>5328010</b>	SH-1000-A	SH-3 Gasket – 24 per package
3.	<b>0328001</b>	SH-1	Body†
4.	<b>4328470</b>	SH-1003-A	Piston Assembly† – <b>OBSOLETE</b>
	<b>4328466</b>	SH-1002-A	Piston Assembly – Needle Spray†
5.	<b>0328004</b>	SH-2	Coupling Ring† – <b>OBSOLETE</b>
	<b>0328005</b>	SH-2-N	Coupling Ring – Needle Spray† SH-1002-A – available in SH-1008-A
—	<b>432846</b>	SH-1008-A	Repair Kit for Needle Spray Showerhead includes Items Nos. 2-5 at left.

† Includes SH-3 gasket.  
‡ Chrome plated. Consult factory for other available finishes.

## FLOW CONTROL MODEL CONVERSION

To convert an older Act-O-Matic showerhead to a flow control model, use repair kit **SH-1008-A**. Repair Kit contains gasket (item 2), piston assembly – needle spray (item 4) and coupling ring – needle spray (item 5).

## NEEDLE SPRAY

*NOTE: To properly repair an Act-O-Matic showerhead, it is important to identify needle spray part designs. Shower heads with 3 gpm (11 Lpm) or 2.5 gpm (9.4 Lpm) flow controls produced since 1985 use needle spray piston assembly and a needle spray coupling ring. Needle spray shower heads can be identified by the following: coupling ring (SH-2-N) has groove on knurled diameter; plus an "N" marked on the back of the black spray disc in the piston assembly. When repairing an Act-O-Matic shower head with a flow control it is important to identify whether the part is of the needle spray design.*

## SLOAN ACT-O-MATIC® MODELS

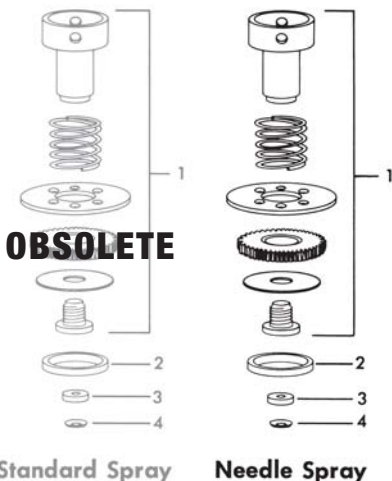
In accordance with Federal and State water conservation requirements, all Sloan Act-O-Matic showerheads manufactured after January 1, 1994 are available only with an integral 2.5 gpm (9.4 Lpm) flow control. Replacement components will continue to be available for non-flow control Act-O-Matic showerhead models. Act-O-Matic showerheads rated at 3 gpm (11 Lpm) should be repaired using the components shown for the current 2.5 gpm (9.4 Lpm) models.

**For Sloan Act-O-Matic model 100 series shower-heads (discontinued in 1970) use piston assembly SH-1003-A and SH-2-N.**



## SHOWERHEAD REPAIR KITS

Code No.	Part No.	Description
<b>For Standard Spray</b>		
<b>4328470</b>	N/A	Repair Kit for Standard Spray Showerhead includes Items Nos. 1-4 (below)
<b>For Needle Spray</b>		
<b>4328466</b>	SH-1002-A	Repair Kit for Needle Spray Showerhead includes Items Nos. 1-4 (below)



Showerheads, Parts and Accessories

Air Delights, Inc.  
11170 SW 5th St. Beaverton, OR 97005  
Phone: 1-80-440-5556 Fax: 503-643-8224  
Email: Customer\_Service@airdelights.com  
Web: www.airdelights.com

## Act-O-Matic® Showerhead

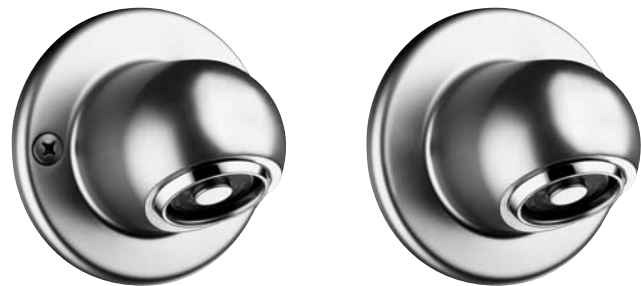
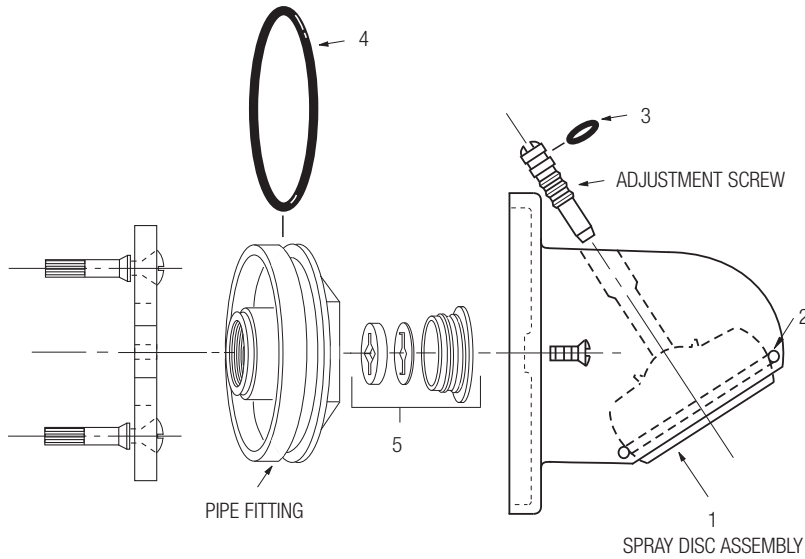
### SH-1009-A REPAIR KIT FOR AC-450 MODEL SHOWERHEAD INCLUDES:

Item	Description
1.	Showerhead Spray Disc Assembly
2.	Spray Disc O-ring
3.	Adjustment Screw O-ring
4.	Pipe Fitting O-ring
5.	2.5 gpm (9.4 Lpm) Flow Control Kit Code No. <b>4328210</b> , Part SH-1010-A

Note: Items 2, 3 and 4 are also available in O-ring replacement kit SH-1001-A.

### SERVICING INSTRUCTIONS

1. Remove showerhead from wall by unscrewing two (2) cap screws. Use 5/32" allen head wrench.
2. Remove adjustment screw from showerhead body.
3. Remove spray disc assembly by pushing through back of showerhead body.
4. Clean inside of showerhead body of all sediment and replace all O-ring seals.
5. Replace (or add) flow control in pipe fitting.
6. Replace spray disc assembly and reassemble showerhead in reverse order.



AC-450 **4024500** Institutional style self-cleaning showerhead similar Sloan Act-O-Matic institutional style models.

AC-460 **4024600**

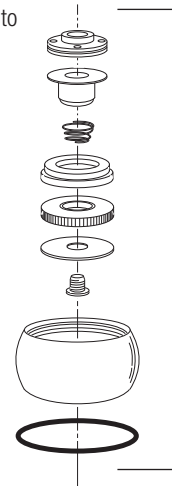
In accordance with Federal and State water conservation requirements, all Sloan Act-O-Matic® showerheads manufactured after January 1, 1994 are available only with an integral 2.5 gpm (9.4 Lpm) flow control. All model variations of AC-450/AC-460 Act-O-Matic showerheads can be repaired using the SH-1009-A repair kit (see above). When repairing an older AC-450 without a flow control, install the 2.5 gpm (9.4 Lpm) flow control supplied with the repair kit.

### SHOWERHEAD FLOW CONTROLS

Code No.	Part No.	Description
<b>For Standard Showerheads</b>		
4328285	AC-300-A	B-4 4 Gallon Flow Control for Showerhead Models AC-10, AC-11, AC-51 And AC-75 – <b>OBSOLETE</b>
4328287	AC-310-A	B-3 3 Gallon Flow Control for Showerhead Models AC-10, AC-11, AC-51 And AC-75 – <b>OBSOLETE</b>
<b>For Institutional Showerheads</b>		
4328290	AC-320-A	B-4 4 Gallon Flow Control for Showerhead Models AC-450 – <b>OBSOLETE</b>
4328289	AC-325-A	B-3 3 Gallon Flow Control for Showerhead Models AC-450 – <b>OBSOLETE</b>

### TO CLEAN SPRAY DISC ASSEMBLY:

1. Disassemble showerhead according to servicing instructions shown above.
2. Use spanner wrench or pliers to disassemble spray disc assembly (see exploded view).
3. Clean sediment and debris from all components.
4. Replace with repair kit Code No. **4328471**, part SH-1009-A if necessary.



SPRAY DISC ASSEMBLY Item 1 (see above illustration)

When assistance is required, please contact Sloan Valve Company Installation Engineering Department at: 1-888-SLOAN-14 (1-888-756-2614).

Air Delights, Inc.  
 11170 SW 5th St. Beaverton, OR 97005  
 Phone: 1-80-440-5556 Fax: 503-643-8224  
 Email: Customer\_Service@airdelights.com  
 Web: www.airdelights.com

Showerheads,  
Parts and  
Accessories