

# Act-O-Matic Shower Head AC-11



## Description

Act-O-Matic, Chrome Plated, Self-Cleaning Shower Head with Thumb Screw Volume Control.

## Flow Rate

2.5 gpm/9.4 Lpm maximum

## Specifications

Act-O-Matic, Chrome Plated Shower Head with the following features:

- Spring loaded, Self-Cleaning Spray Disk to prevent particle clogging
- "Cone-within-a-cone" Spray Pattern for total body coverage
- Pressure Compensating 2.5 gpm/9.4 Lpm Flow Control
- All Brass Construction
- Universal Ball Joint with Thumb Screw Volume Control
- " I.P.S. Inlet

Shower Head shall be in conformance to all requirements of ANSI/ASME Standard A112.18.1M, CSA B-125 and the United States Federal Energy Policy Act.

## Variations

**YC** Spray Arm with Set Screw Flange

## Finishes

**PB** Polished Brass

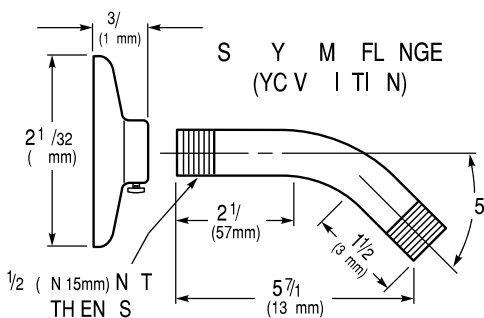
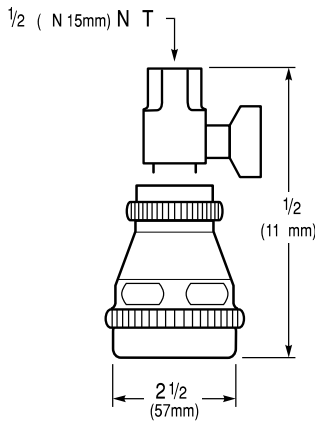
**LG** Luster Gold (24k)

**AB** Antique Brass

**SF** Satin Finish

NOTE: Shower Head available with " Whitworth Thread (please specify).

See Accessories Section of the Sloan catalog for details on these and other Shower Head variations.



This space for Architect/Engineer approval

The information contained in this document is subject to change without notice.

Made in the U.S.A.

*Air Delights*

Air Delights | 9974 SW Arctic Dr. | Beaverton, Or. 97005

Phone: 1-800-440-5556 | Fax: 503-643-8224

<http://www.airdelights.com> | email: [sales@airdelights.com](mailto:sales@airdelights.com)