

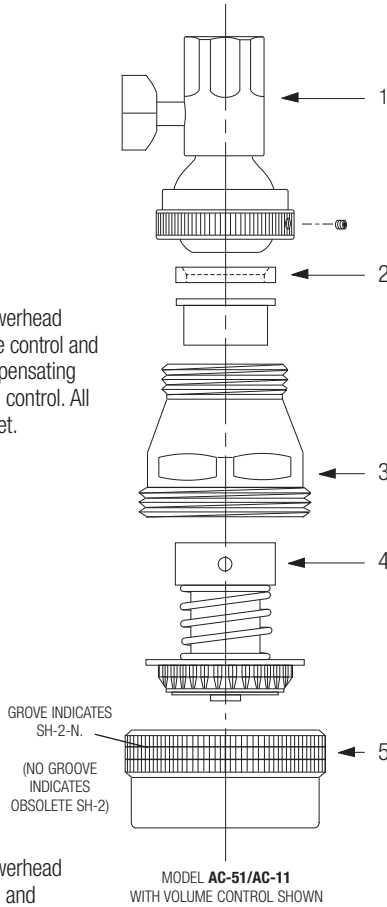
Act-O-Matic® Showerhead



AC-51 4021000
Self-cleaning chrome plated showerhead without (less) thumb screw volume control and universal ball joint. Pressure compensating 2.5 gpm/9.4 Lpm maximum flow control. All brass construction. 1/2" I.P.S. inlet.



AC-11 4020100
Self-cleaning chrome plated showerhead with thumb screw volume control and universal ball joint. Pressure compensating 2.5 gpm/9.4 Lpm maximum flow control. All brass construction. 1/2" I.P.S. inlet.



PARTS FOR ACT-O-MATIC® SHOWERHEAD AC-11/AC-51

Item No.	Code No.	Part No.	Description
1.	3328026	SH-1007-A	Ball Joint Coupling with Volume Control†
	0328059	AC-18-AV	Ball Joint Coupling less Volume Control
2.	5328010	SH-1000-A	SH-3 Gasket – 24 per package
3.	0328001	SH-1	Body†
4.	4328470	SH-1003-A	Piston Assembly† – OBSOLETE
	4328466	SH-1002-A	Piston Assembly – Needle Spray†
5.	0328004	SH-2	Coupling Ring† – OBSOLETE
	0328005	SH-2-N	Coupling Ring – Needle Spray† SH-1002-A – available in SH-1008-A
—	432846	SH-1008-A	Repair Kit for Needle Spray Showerhead includes Items Nos. 2-5 at left.

† Includes SH-3 gasket.
‡ Chrome plated. Consult factory for other available finishes.

FLOW CONTROL MODEL CONVERSION

To convert an older Act-O-Matic showerhead to a flow control model, use repair kit **SH-1008-A**. Repair Kit contains gasket (item 2), piston assembly – needle spray (item 4) and coupling ring – needle spray (item 5).

NEEDLE SPRAY

NOTE: To properly repair an Act-O-Matic showerhead, it is important to identify needle spray part designs. Shower heads with 3 gpm (11 Lpm) or 2.5 gpm (9.4 Lpm) flow controls produced since 1985 use needle spray piston assembly and a needle spray coupling ring. Needle spray shower heads can be identified by the following: coupling ring (SH-2-N) has groove on knurled diameter; plus an "N" marked on the back of the black spray disc in the piston assembly. When repairing an Act-O-Matic shower head with a flow control it is important to identify whether the part is of the needle spray design.

SLOAN ACT-O-MATIC® MODELS

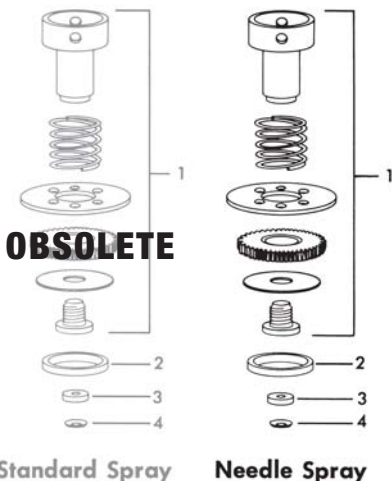
In accordance with Federal and State water conservation requirements, all Sloan Act-O-Matic showerheads manufactured after January 1, 1994 are available only with an integral 2.5 gpm (9.4 Lpm) flow control. Replacement components will continue to be available for non-flow control Act-O-Matic showerhead models. Act-O-Matic showerheads rated at 3 gpm (11 Lpm) should be repaired using the components shown for the current 2.5 gpm (9.4 Lpm) models.

For Sloan Act-O-Matic model 100 series shower-heads (discontinued in 1970) use piston assembly SH-1003-A and SH-2-N.



SHOWERHEAD REPAIR KITS

Code No.	Part No.	Description
For Standard Spray		
4328470	N/A	Repair Kit for Standard Spray Showerhead includes Items Nos. 1-4 (below)
For Needle Spray		
4328466	SH-1002-A	Repair Kit for Needle Spray Showerhead includes Items Nos. 1-4 (below)



Showerheads, Parts and Accessories

Act-O-Matic® Showerhead

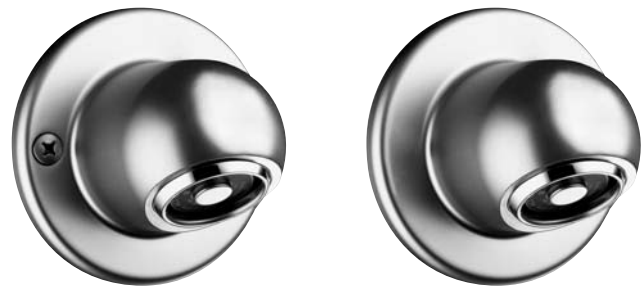
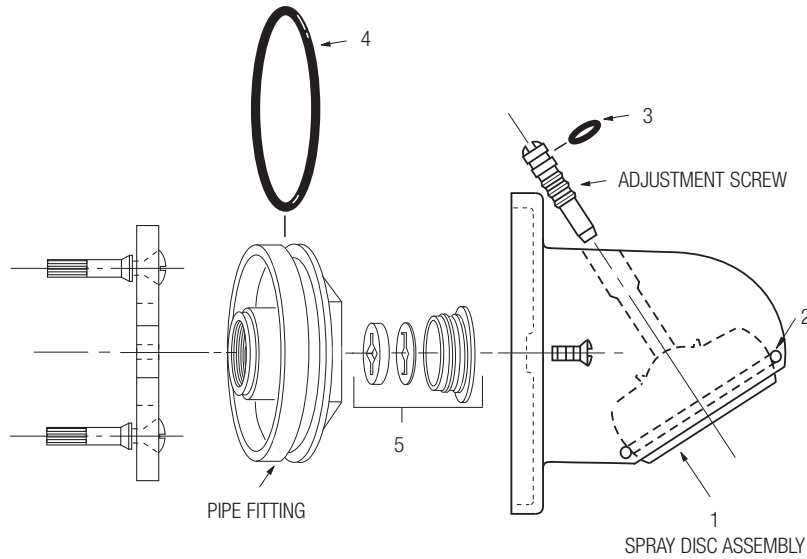
SH-1009-A REPAIR KIT FOR AC-450 MODEL SHOWERHEAD INCLUDES:

Item	Description
1.	Showerhead Spray Disc Assembly
2.	Spray Disc O-ring
3.	Adjustment Screw O-ring
4.	Pipe Fitting O-ring
5.	2.5 gpm (9.4 Lpm) Flow Control Kit Code No. 4328210 , Part SH-1010-A

Note: Items 2, 3 and 4 are also available in O-ring replacement kit SH-1001-A.

SERVICING INSTRUCTIONS

1. Remove showerhead from wall by unscrewing two (2) cap screws. Use 5/32" allen head wrench.
2. Remove adjustment screw from showerhead body.
3. Remove spray disc assembly by pushing through back of showerhead body.
4. Clean inside of showerhead body of all sediment and replace all O-ring seals.
5. Replace (or add) flow control in pipe fitting.
6. Replace spray disc assembly and reassemble showerhead in reverse order.



AC-450 **4024500** Institutional style self-cleaning showerhead similar Sloan Act-O-Matic institutional style models.

AC-460 **4024600**

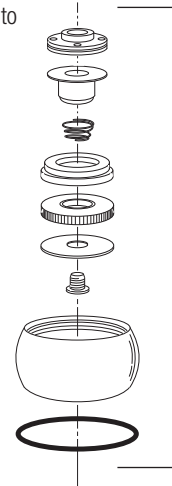
In accordance with Federal and State water conservation requirements, all Sloan Act-O-Matic® showerheads manufactured after January 1, 1994 are available only with an integral 2.5 gpm (9.4 Lpm) flow control. All model variations of AC-450/AC-460 Act-O-Matic showerheads can be repaired using the SH-1009-A repair kit (see above). When repairing an older AC-450 without a flow control, install the 2.5 gpm (9.4 Lpm) flow control supplied with the repair kit.

SHOWERHEAD FLOW CONTROLS

Code No.	Part No.	Description
For Standard Showerheads		
4328285	AC-300-A	B-4 4 Gallon Flow Control for Showerhead Models AC-10, AC-11, AC-51 And AC-75 – OBSOLETE
4328287	AC-310-A	B-3 3 Gallon Flow Control for Showerhead Models AC-10, AC-11, AC-51 And AC-75 – OBSOLETE
For Institutional Showerheads		
4328290	AC-320-A	B-4 4 Gallon Flow Control for Showerhead Models AC-450 – OBSOLETE
4328289	AC-325-A	B-3 3 Gallon Flow Control for Showerhead Models AC-450 – OBSOLETE

TO CLEAN SPRAY DISC ASSEMBLY:

1. Disassemble showerhead according to servicing instructions shown above.
2. Use spanner wrench or pliers to disassemble spray disc assembly (see exploded view).
3. Clean sediment and debris from all components.
4. Replace with repair kit Code No. **4328471**, part SH-1009-A if necessary.



SPRAY DISC ASSEMBLY Item 1 (see above illustration)

Showerheads, Parts and Accessories

When assistance is required, please contact Sloan Technical Support at: 1-888-SLOAN-14 (1-888-756-2614).