

# Act-O-Matic® Shower Head AC-460-2.0



## ► Description

Act-O-Matic®, Chrome Plated, Self-cleaning, Institutional Security Style Shower Head. Access behind the wall required for installation.

## ► Flow Rate

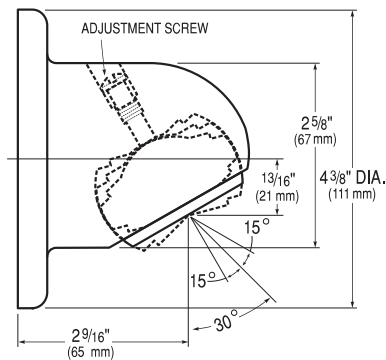
□ 2.0 gpm/7.5 Lpm maximum

## ► Specifications

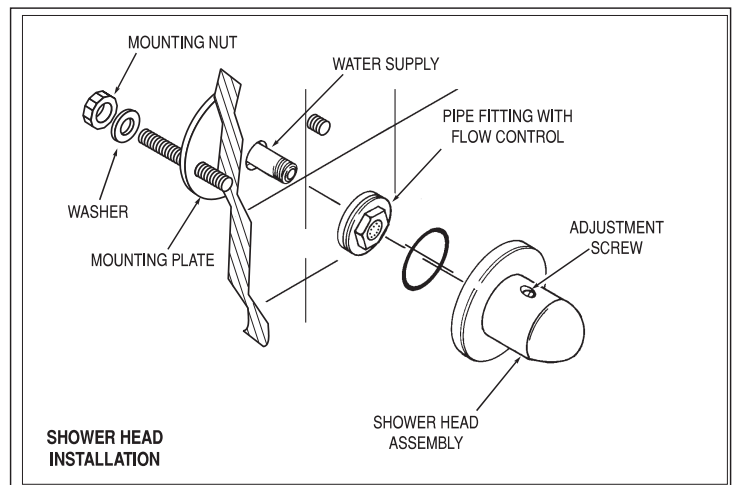
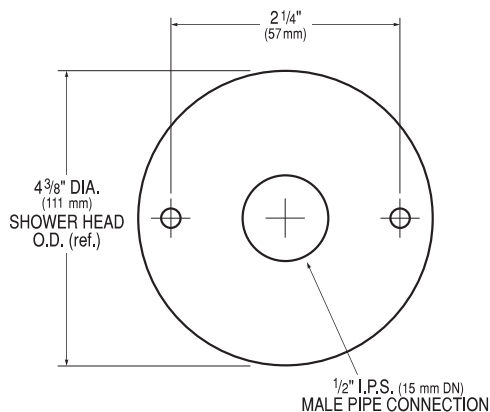
Act-O-Matic®, Chrome Plated Shower Head with the following features:

- Spring loaded, Self-cleaning Spray Disk to prevent particle clogging
- "Cone-within-a-cone" Spray Pattern for total body coverage
- Adjustable Spray Angle
- Pressure Compensating 2.0 gpm/7.5 Lpm Flow Control
- All Brass Construction
- Mounting Studs for behind the wall installation
- ½" I.P.S. Inlet

Shower Head shall be in conformance to all requirements of ANSI/ASME Standard A112.18.1M, CSA B-125 and the United States Federal Energy Policy Act. See Accessories Section of the Sloan Catalog for details on these and other Shower Head variations.



### ACCESS BEHIND THE WALL REQUIRED FOR INSTALLATION



This space for Architect/Engineer approval

The information contained in this document is subject to change without notice.

**SLOAN**

Made in the U.S.A.

SLOAN VALVE COMPANY • 10500 SEYMOUR AVE. • FRANKLIN PARK, IL. 60131  
Ph: 1-800-9-VALVE-9 or 1-847-671-4300 • Fax: 1-800-447-8329 or 1-847-671-4380  
www.sloanvalve.com