

Act-O-Matic Shower Head AC-11-2.0



NEW



► **Description**

Act-O-Matic, Chrome Plated, Self-cleaning Shower Head with Thumb Screw Volume Control.

► **Flow Rate**

□ 2.0 gpm/7.5 Lpm maximum

► **Specifications**

Act-O-Matic, Chrome Plated Shower Head with the following features:

- Spring loaded, Self-cleaning Spray Disk to prevent particle clogging
- "Cone-within-a-cone" Spray Pattern for total body coverage
- Saves up to 20% or more water depending on length of shower
- Fast drain feature to prevent residual slow dripping
- Pressure Compensating 2.0 gpm/7.5 Lpm Flow Control
- All Brass Construction
- Universal Ball Joint with Thumb Screw Volume Control
- 1/2" I.P.S. Inlet
- Personal Showerheads — with available fingertip water adjustment control

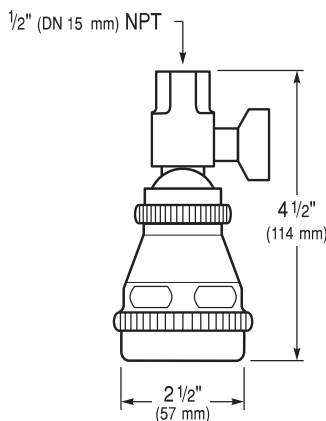
Shower Head shall be in conformance to all requirements of ANSI/ASME Standard A112.18.1M, CSA B-125 and the United States Federal Energy Policy Act.

► **Finishes**

- **PB** Polished Brass
- **LG** Luster Gold (24k)
- **AB** Antique Brass
- **SF** Satin Finish

Note: Shower Head Available with 1/2" Whitworth Thread (please specify).

See Accessories Section of the Sloan Catalog for details on these and other Shower Head variations.



This space for Architect/Engineer approval

Job Name _____ Date _____

Model Specified _____ Quantity _____

Variations Specified _____

Customer/Wholesaler _____

Contractor _____

Architect _____

The information contained in this document is subject to change without notice.



SLOAN VALVE COMPANY • 10500 SEYMOUR AVE. • FRANKLIN PARK, IL. 60131
 Ph: 1-800-9-VALVE-9 or 1-847-671-4300 • Fax: 1-800-447-8329 or 1-847-671-4380
 www.sloanvalve.com