

Z6955-XL-S

Aqua-FIT™ Battery Powered Faucet



Patented and Patent Pending

Engineering Specification

ADA compliant, battery powered, chrome plated sensor faucet for retrofit and new construction.

- Customizable Settings
 - Time-out
 - Line Purge
 - Sensor Range
 - Metering Mode
- Occupant Detection
 - Infrared convergence-type proximity sensor
 - 30 Sec. Time out feature
- Spout module
 - Chrome Plated Cast Brass
- Also Includes
 - In-line filter
 - 4 "AA" batteries
 - Inlet for a 1/2"[13] ball riser

Flow Control Options

- E 1.5 gpm/ 5.7 Lpm Vandal-Resistant Aerator
- F 0.5 gpm/1.9 Lpm Vandal-Resistant Non-Aerated
- J 1.5 gpm/ 5.7 Lpm Vandal-Resistant Laminar Flow
- K 1.0 gpm/ 3.8 Lpm Vandal-Resistant Laminar Flow
- L 1.0 gpm/ 3.8 Lpm Vandal-Resistant Aerator
- M 0.35 gpm/1.3 Lpm Vandal-Resistant Non-Aerated
- N 0.5 gpm/ 1.9 Lpm Vandal-Resistant Laminar Flow

Power Supply Choices (Sold Separately)

- ACA 6 VDC Plug-In Power Converter
- HW6 Hardwired Power Converter
- LL "10 Year Battery" - Long Life

Optional Power Supply Accessories

- CWB Connector Wire for Hardwire Install
- MJ Mini Junction Box

NOTE: For Hardwire applications furnish P6000-HW6 power converter. Order P6000-HW6 power converter separately. The P6000-HW6 and P6000-MJ will power up to 8 sensor faucets.

ZURN INDUSTRIES, LLC. ♦ COMMERCIAL BRASS OPERATION
5900 ELWIN BUCHANAN DRIVE ♦ SANFORD NC 27330
Phone: 1-800-997-3876 ♦ Fax: 919-775-3541
www.zurn.com
In Canada: ZURN INDUSTRIES LIMITED
3544 Nashua Drive ♦ Mississauga, Ontario L4V1L2
Phone: 905-405-8272 Fax: 905-405-1292

Aqua-FIT™ is a trademark of Zurn Industries, LLC.

Accessories

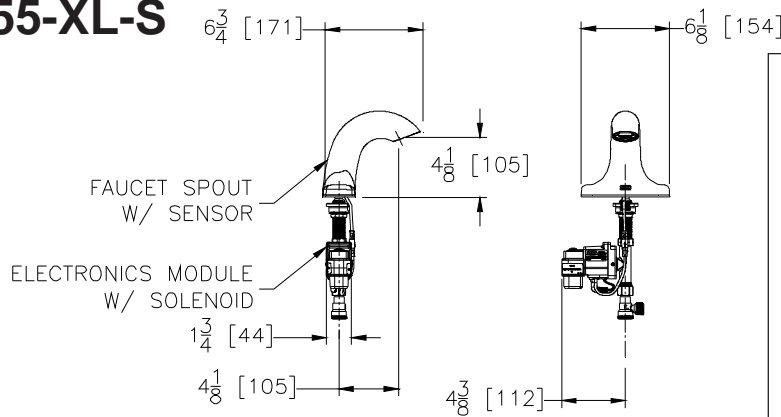
- 5S 5 sec. Timeout
- 10S 10 sec. Timeout
- 15S 15 sec. Timeout
- 60S 60 sec. Timeout
- DSA Drug Screening Applications (Hardwired Applications)
- LP12 Line Purge 2 min/12 hr
- LP24 Line Purge 2 min/24 hr
- LP48 Line Purge 2 min/48 hr
- MT Mixing Tee
- MV Temperature Mixing Valve
- SH Supply Hoses for Mixing Valve
- SSH Single Supply Hose
- TMV Thermostatic Mixing Valve for Multiple Faucets
- TMV-1 Thermostatic Mixing Valve for Single Faucets
- _____ Other

The information contained in this document is subject to change without notice. Please contact Zurn for most up to date information.

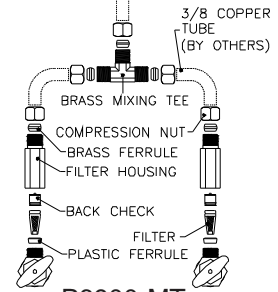
Architectural/Engineering Approval

TYPICAL Z6955-XL-S

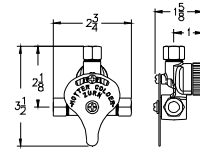
AquaSense Battery
Powered Faucet



Optional Mixing Valves



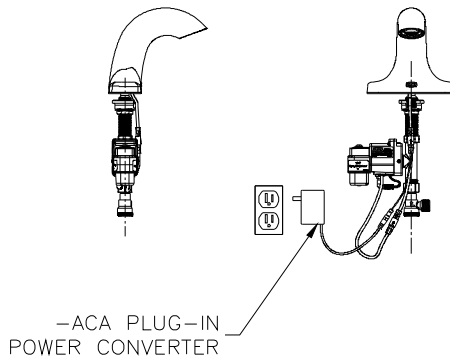
P6900-MT
Mixing Tee



P6900-MV
Temperature Mixing Valve

TYPICAL Z6955-XL-S-ACA

AquaSense Plug-In
Powered Faucet



TYPICAL Z6955-XL-S-CWB

AquaSense Hardwire
Powered Faucet

Optional:

* Optional -MJ mini junction box for connecting up to 8 faucets

NOTE: MUST USE EITHER ZURN P6000-HW6 HARDWIRE POWER CONVERTER OR ZURN P6000-ACA PLUG-IN POWER CONVERTER TO ENSURE PROPER OPERATION. USING A POWER CONVERTER OTHER THAN ZURN MAY RESULT IN OPERATION MALFUNCTION OR UNIT FAILURE.

