

**CODE NUMBER**

3324280

**DESCRIPTION**

4" Trim Plate, Box Transformer Power Supply, Integrated Side Mixer, Polished Chrome Finish, 0.5 gpm, Multi-Laminar Spray, Infrared Sensor, BASYS® Hardwired-Powered Deck-Mounted High Body Faucet.

**DETAILS**

- Flow Rate: 0.5 gpm (2 Lpm) (0.5GPM)
- Spray Type: Multi-Laminar (MLM)
- Sensor Type: Infrared (IR)
- Mounting Type: Single Hole
- Trim Plate: 4" (102mm) (4)
- Power Supply: Box Transformer (BOX)
- Temperature Mixer: Integrated Side Mixer (ISM)
- Finish: Polished Chrome (CP)
- Factory Default Timeout: 10s
- Factory Default GPC: 0.083

**FEATURES**

Commercial Grade, ADA Compliant, Electronic, Sensor-Activated, Die-Cast Metal Hand Washing Faucet with the following features:

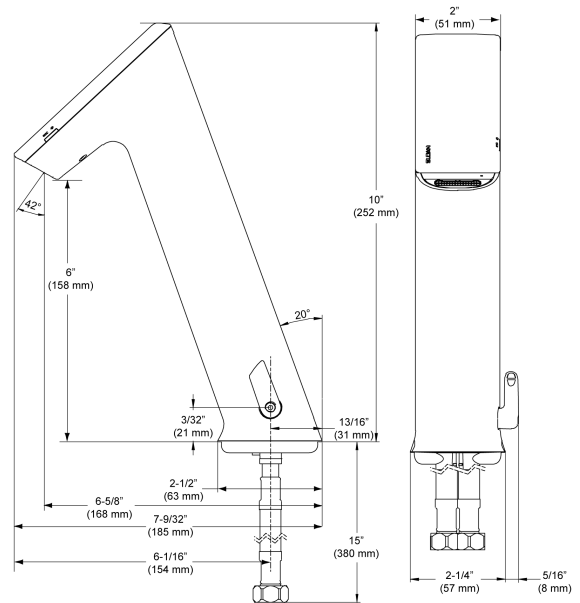
- One tool service
- All wetted components to be stainless steel, engineered thermoplastic, EPDM, and copper or copper alloy
- Solenoid housed in removable carrier that includes supply strainer
- Integral water supply shut off
- Supply strainer serviceable from above deck
- Vandal resistant spray insert, key housed inside faucet body
- All electronics sealed to IP-67
- Gold plated electrical contacts
- Above deck individual diagnostic indicators for battery life, solenoid condition, and power up mode
- Flexible, high pressure supply hoses, 3/8" compression connections
- Bi-stable magnetic solenoid
- Four (4) "AA" alkaline batteries
- Double infrared sensors with automatic setting feature Includes all mounting hardware
- Line purge mode, eliminates stagnant water
- Adjustable time-outs
- Standard Bowed Crown

**VIDEOS**

- ▶ BASYS® Faucet Installation and Features

**DOWNLOADS**

- [EFX 1Xx/2Xx Installation Instructions](#)
- [EFX 1Xx/2Xx \(SP\) Installation Instructions](#)
- [EFX 1Xx/2Xx Caddy Replacement Installation Instructions](#)



**COMPLIANCES & CERTIFICATIONS**



(ADA Compliant, UL Certified, CEC Compliant, CalGreen Compliant, GPC 0.25 or less, cUPC Low Lead Compliant)

**NOTES**

All information contained within this document subject to change without notice.

Looking for other variations of the EFX-100 product? [View the general spec sheet with all options.](#)

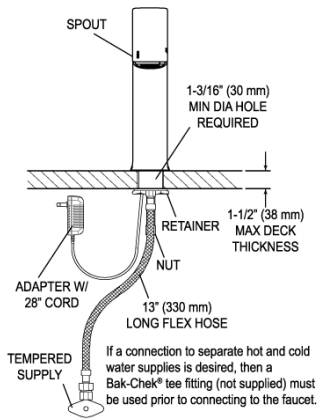
[Find a matching soap dispenser](#) for this faucet.  
[Find a compatible sink](#) for this faucet.

- [IR FAQs Repair and Maintenance Guide](#)
- [IR FAQs SP Repair and Maintenance Guide](#)
- [EFX-1XX Repair and Maintenance Guide](#)
- [Trim Plates Repair and Maintenance Guide](#)
- [Additional Downloads](#)

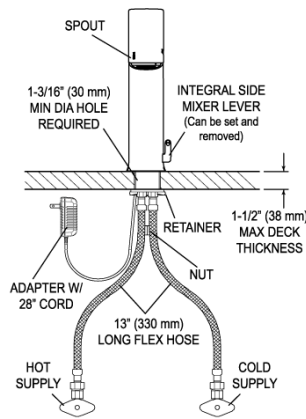
**WARRANTY**  
 3 Year

**ROUGH-IN**

**EFX-100.00X.0X1X Faucet**  
 with Single Line Water Supply



**EFX-100.50X.0X1X Faucet**  
 with Hot & Cold Water Supply



**Electrical Connection for up to 6 Faucets**  
 Can combine up to six (6) faucets using one adapter

