

**CODE NUMBER**

3324214

**DESCRIPTION**

Solar Power Supply, Below Deck Thermostatic Mixing Valve, Polished Chrome Finish, 0.5 gpm, Multi-Laminar Spray, Infrared Sensor, BASYS® Solar-Powered Deck-Mounted Low Integrated Base Body Faucet.

**DETAILS**

- Flow Rate: 0.5 gpm (2 Lpm) (0.5GPM)
- Spray Type: Multi-Laminar (MLM)
- Sensor Type: Infrared (IR)
- Mounting Type: Single Hole
- Power Supply: Solar (SOL)
- Temperature Mixer: Below Deck Thermostatic Mixing Valve (BDT)
- Finish: Polished Chrome (CP)
- Factory Default Timeout: 10s
- Factory Default GPC: 0.083

**FEATURES**

Commercial Grade, ADA Compliant, Electronic, Sensor-Activated, Die-Cast Metal Hand Washing Faucet with the following features:

- Solenoid housed in removable carrier that includes supply strainer
- Integral water supply shut off
- Supply strainer serviceable from above deck
- Vandal resistant spray insert, key housed inside faucet body
- All electronics sealed to IP-96
- Gold plated electrical contacts
- Above deck individual diagnostic indicators for battery life, solenoid condition, and power-up mode
- Flexible, high pressure supply hoses, 3/8" compression connections
- Bi-stable magnetic solenoid
- Four (4) "AA" alkaline batteries
- Double infrared sensors with automatic setting feature
- Integral 4-inch base
- Includes all mounting hardware
- Line Purge mode, eliminates stagnant water

**ELECTRICAL SPECIFICATIONS**

- Battery Life: 5 years
- Self-Adjustment Range: 1"-6" (25-152mm)
- Sensor Range: 4"-5" (102-127mm)
- Timeout Adjustment Settings: 10s

**VIDEOS**

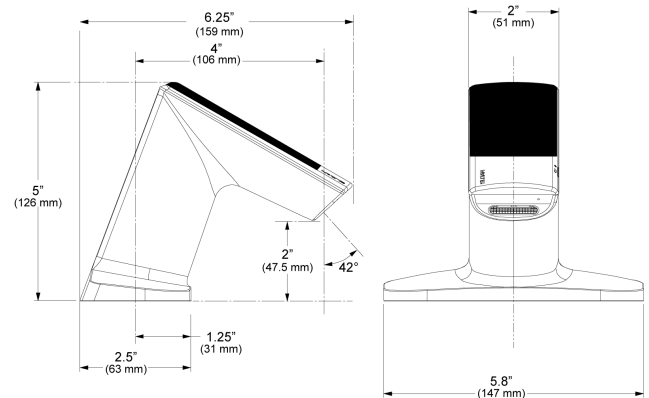
- ▶ [BASYS® Faucet Installation and Features](#)

**DOWNLOADS**

- [EFX 3Xx/6Xx Active IR Installation Instructions](#)
- [EFX 3Xx/6Xx Active IR \(SP\) Installation Instructions](#)
- [Trim Plates Repair and Maintenance Guide](#)



Variation not shown: Solar



**COMPLIANCES & CERTIFICATIONS**



(ADA Compliant, UL Certified, CEC Compliant, CalGreen Compliant, GPC 0.25 or less, cUPC Low Lead Compliant)

**RECOMMENDED SPECIFICATION**

Sloan BASYS Model No. EFX-675.\_\_\_\_.0000 Infrared Sensor Activated Electronic Handwashing Faucet for pre-tempered or hot/cold water supplies. Product to have double infrared sensors with automatic setting feature. Solenoid valve housed in removable carrier that closes water supply upon removal, eliminating need to access control stops. Solenoid carrier included for easy above deck service. Thermostatic mixer ordered separately to comply with ASSE 1070 requirements. The product shall be tested and certified to industry standards: ASME A112.18.1M, CSA B125.1, California Health and Safety Code 116875 (AB1953-2006), and Vermont Bill S.152. This product meets ADA ANSI/ICC A117.1 requirements.

**NOTES**

All information contained within this document subject to change without notice.

- [IR FAQs Repair and Maintenance Guide](#)
- [IR FAQs SP Repair and Maintenance Guide](#)
- [EFX-6XX Repair and Maintenance Guide](#)
- [Additional Downloads](#)

Looking for other variations of the EFX-675 product? [View the general spec sheet with all options.](#)

[Find a matching soap dispenser](#) for this faucet.  
[Find a compatible sink](#) for this faucet.

**WARRANTY**

3 Year

**ROUGH-IN**

