



2B4 Series Elvari™ ADA Compliant Hand Dryer

Key Features

- High quality and modern style complements other [Elvari™ products](#)
- Dual air outlets resulting in enhanced drying efficiency and quieter operation
- Adjustable sensing distance and air speed for customized performance
- Includes a carbon filter for filtering and trapping of volatile organic compounds (VOCs), gases, and odors
- Includes a 3M filtrete with a MERV rating of 12 and filters 80%–89.9% of 1.0–3.0 micron particles and 90% or greater of 3.0–10.0 micron particles

Operation

No-touch operation. 60 second auto shutoff timing protection. Sensor range is adjustable from 4–9". Standard is 6.69". LED indicator will illuminate when unit is activated.

Product Compliance



ADA / ICC ANSI A117.1, Citation 309.4



UL electrical components



CE electrical components (220–240V only)



G Mark (220–240V only)



UK Conformity Assessed

Guide Specification

ADA slim profile, surface-mounted hand dryer shall be constructed from 20-gauge, 300 series stainless steel in a brushed #3 satin finish. Welded mounting frame for added strength. Hand dryer shall operate at 72–78 dB with an air speed of 70–82 m/s. Hand dryer shall be equipped with a carbon filter set, as well as a 3M filtrete filter set. Dryer shall have separate part numbers based on operating voltage of 110–120VAC and 220–240VAC input. Dryer shall have an adjustable motor wattage from 325–500W. Dryer shall have a dedicated circuit with a minimum of 15A and must be properly grounded. Dryer shall be equipped with motor thermal protection, and heater thermal protection.

Overall Dimensions:

8.5" H x 12.5" W x 3.9" D (217mm x 318mm x 100mm)



Finishes

Click on any color swatch to view as a larger image.



Satin Stainless

Product Specifications

Voltage:	110–120V or 220–240V	Consumption:	2.70–4.55A or 1.35–2.27A
Motor:	325–500W	RPM:	16,000–29,000
Noise level at 79":	72–78 dB	Output Air Volume:	42–60 CFM
Frequency:	60 Hz or 50/60 Hz	Airspeed:	70–82 m/s, Adjustable
Exit Air Temp at Ambient:	131°F	Ambient Temp:	77°F
Drying Time:	10–15 seconds	Mounting:	Surface-mounted, ADA compliant
Protection Level:	IP24 Splash Protection		

Model (Must select one)

2B4 Elvari Hand Dryer

Standard Selections (Must select one from each category)

Mounting Type (select one)

11 Surface Mounted

Voltage Type (select one)

0 110–120V ¹

49 220–240V ¹

¹ Model available with **BradEX**® expedited shipping.

For information on Warranties, Maintenance and BAA/ARRA Compliance, visit our website at: bradleycorp.com/washroom-accessories-products

Orders composed of products indicated as **BradEX**® will be available to ship in three days after receipt of order at the factory. There is no pricing penalty for this service from Bradley.

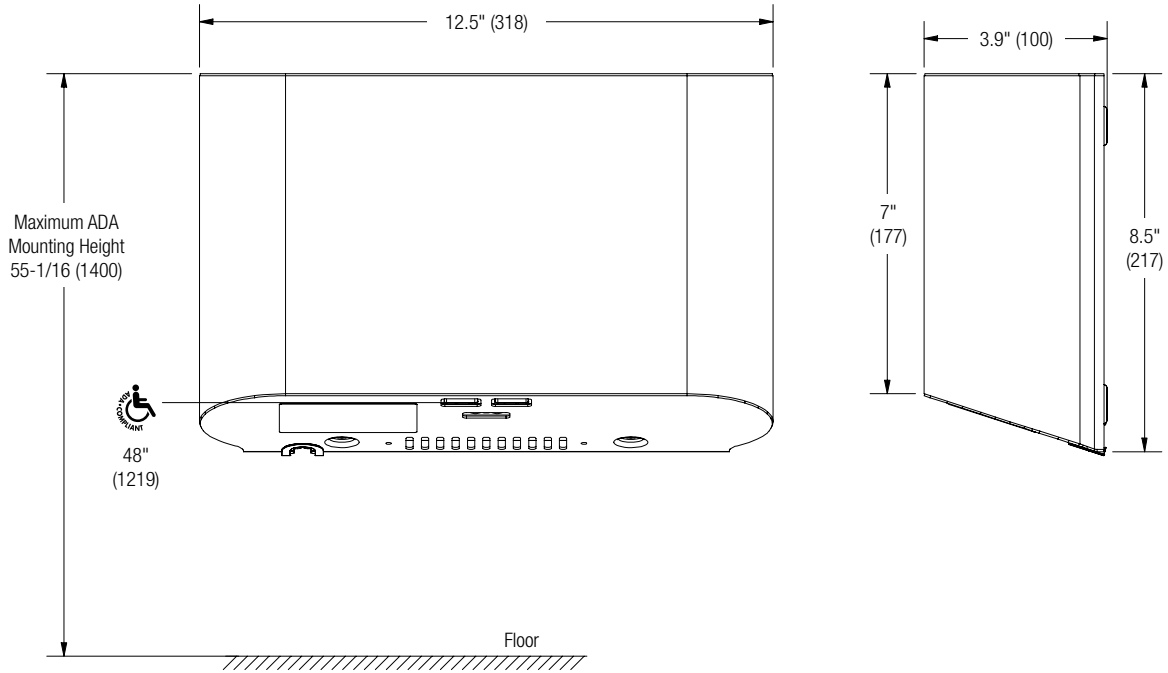
Verify all rough-in dimensions prior to installation.



2B4 Series Elvari™ ADA Compliant Hand Dryer

Dimensions

(mm)



Orders composed of products indicated as **BradEX**® will be available to ship in three days after receipt of order at the factory. There is no pricing penalty for this service from Bradley.

Verify all rough-in dimensions prior to installation.