

Model 4722-1015 — Semi-Recessed

- Standard Series — Satin Finish
- Single End Compartment

Product Materials

FLANGE: 22 gauge stainless steel with exposed surfaces in architectural satin finish. One-piece seamless construction, 1" wide with ¼" return.

CABINET: 22 gauge stainless steel. All welded construction.

PUSH FLAP DOOR: 22 gauge stainless steel with exposed surfaces in architectural satin finish. Heavy-duty stainless steel piano hinge. Self-closing flap door.

WASTE CONTAINER: 22 gauge stainless steel with tumbler locks keyed like other Bradley units

Capacity

1.5 gal (0.2 cu. ft.)

Operation

Waste container removable from one side with finger grip. Furnished with waxed paper liner. Box of 500 waxed paper liners are available by ordering part number P11-022.

Installation

Verify all rough-in dimensions prior to installation. Requires partition opening 11"W x 15¾"H x 2½"D. Secure unit to framing with mounting screws (included) at holes provided. Shim at screw points as required.

Guide Specification

Semi-recessed napkin disposal shall be fabricated of 22 gauge stainless steel with exposed surfaces in satin finish. Self-closing push flap door and removable stainless steel receptacle with tumbler lock.

Overall dimensions: 12¾"W x 17⅞"H x 4"D.

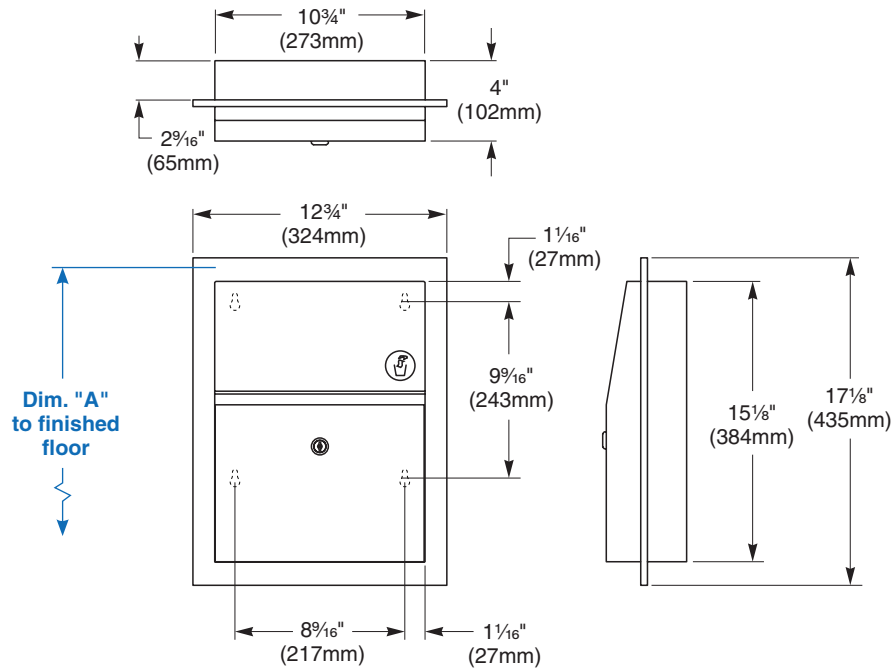


ADA Compliant

- Consult local and national accessibility codes for proper installation guidelines.
- Conformity and compliance to local and national codes is the responsibility of the installer.

Washroom Accessories
Document No. 8390

Dimensions



Dim. "A" Key Surface:	For Dim. "A"	Top of Unit	Bottom of Unit
Top of door (6" door opening) to finished floor	48" (1219mm)	48" (1219mm)	32 5/8" (829mm)
	45" (1143mm)	45" (1143mm)	29 9/8" (752mm)
	42" (1067mm)	42" (1067mm)	26 5/8" (676mm)
	36" (914mm)	36" (914mm)	20 5/8" (524mm)
	33" (838mm)	33" (838mm)	17 5/8" (448mm)
Rough wall opening:			
Semi-Recessed:	11" (279mm) Wide x 15 3/8" (391mm) High x 2 9/16" (65mm) Deep		

**Washroom Accessories
Document No. 8390**