



Limited One Year Warranty
T&S warrants to the original purchaser (other than for purposes of resale) that such product is free from defects in material and workmanship for a period of one (1) year from the date of purchase. During this one-year warranty period, if the product is found to be defective, T&S shall, at its options, repair and/or replace it. To obtain warranty service, products must be returned to...

T&S Brass and Bronze Works, Inc.
Attn: Warranty Repair Department
2 Saddleback Cove
Travelers Rest, SC 29690

Shipping, freight, insurance, and other transportation charges of the product to T&S and the return of repaired or replaced product to the purchaser are the responsibility of the purchaser. Repair and/or replacement shall be made within a reasonable time after receipt by T&S of the returned product. This warranty does not cover items which have received secondary finishing or have been altered or modified after purchase, or for defects caused by physical abuse to or misuse of the product, or shipment of the products.

Any express warranty not provided herein, and any remedy for Breach of Contract which might arise, is hereby excluded and disclaimed. Any implied warranties of merchantability or fitness for a particular purpose are limited to one year in duration. Under no circumstances shall T&S be liable for loss of use or any special consequential costs, expenses or damages.

Some states do not allow limitations on how long and implied warranty lasts or the exclusion or limitation of incidental or consequential damages, so the above limitations or exclusions may not apply to you. Specific rights under this warranty and other rights vary from state to state.

P/N: 098-003156-45 Rev.3
Date: 980707
Drawn: CW
Checked: MAB 10-16-98
Approved: MW 10-15-98

Installation and Maintenance Instructions



KETTLE KADDY

B-0182, B-0183, B-0186, B-0187,
B-0188, B-0192, B-0193

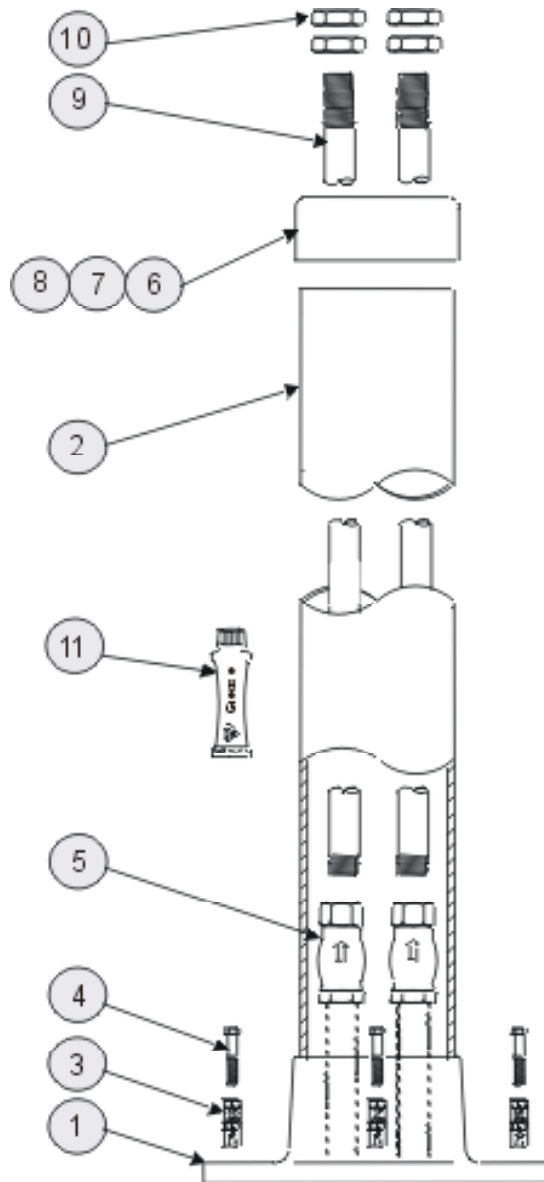
**Deutsch: Installations- und
Wartungsanleitungen**

**Español: la Instalación y las
Instrucciones de
Mantenimiento**

**Français: les Instructions
d'Installation et
d'Entretien**

Exploded View

Stanchion Unit



* Some items are listed for instructional purposes and may not be sold as separate parts.

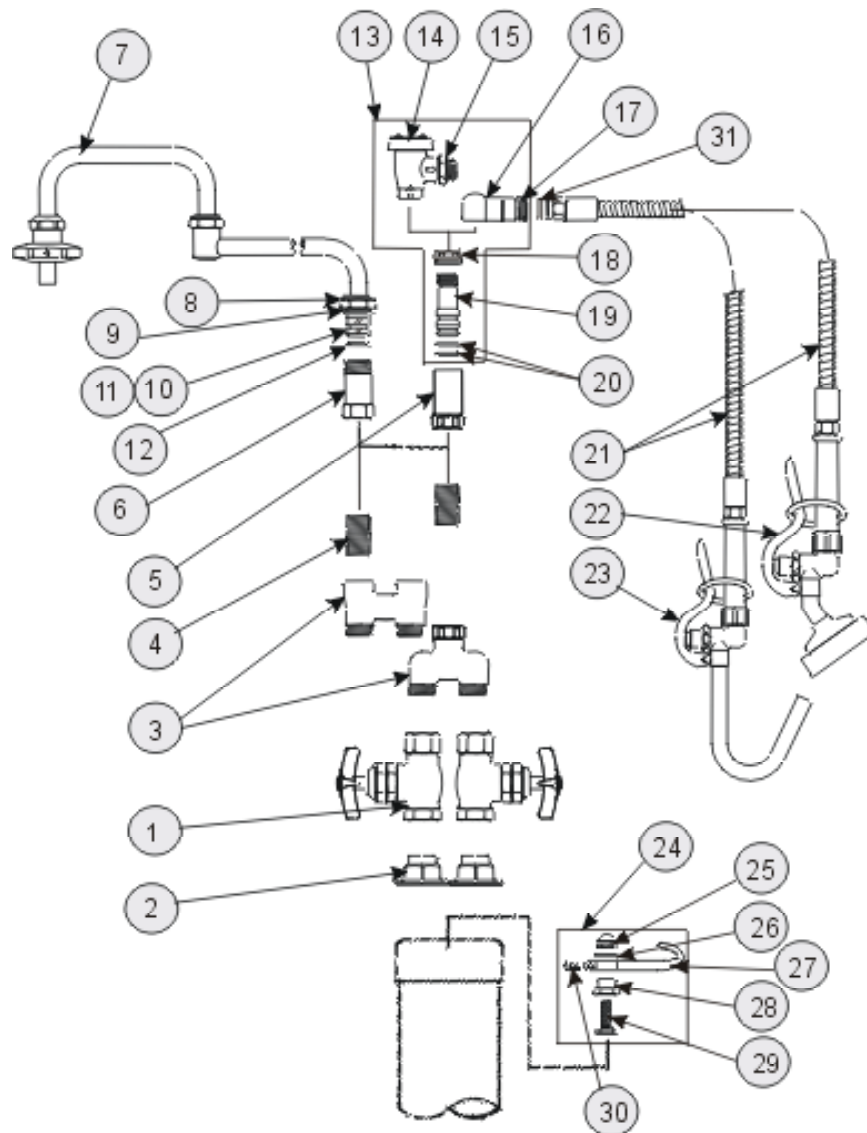
Part Number Guide

Stanchion Unit

1	Asm, Stanchion	002847-40
2	Tube, Stanchion	*
3	Shield, Expansion	001411-45
4	Bolt, Shield	*
5	Valve, Check - 1/2	001332-45
6	Cap, B-0182, B-0183, B-0187, B-0188	001251-40
7	Cap, B-0186	001250-40
8	Cap, B-0192, B-0193	001252-40
9	Riser	001561-25
10	Locknut	001801-20
11	Grease Tube	*

Exploded View

Kettle Kaddy B-0182, B-0183, B-0187, B-0188



* Some items are listed for instructional purposes and may not be sold as separate parts.

Part Number Guide

Kettle Kaddy Assembly B-0182

1	Asm, Valve	002901-40
2	Flange, Cap 1/2 NPSL	001457-40
3	Mixing Yoke, "H" B-0182	000174-40
	Mixing Yoke, "Y" B-0192	000175-40
4	Nipple, Close 1/2 NPT	002533-25
5	Swivel Body, 1/2" Pre-Rinse	000592-25
6	Swivel Body, 1/2"	000590-25
7	Asm, Nozzle - Double Jointed 18"	002848-40
8	Nut, Swivel	*
9	Washer, Swivel	009538-45
10	Repair Kit (Not Included) #11 & #12	011643-45
11	Sleeve, Swivel	011429-45
12	O-Ring, Swivel Piece	001074-45
13	Asm, Vacuum Breaker Unit B-0183	002849-40
14	Asm, Vacuum Breaker 3/8	005256-40
15	Adapter, 3/8 MA x 3/4-14 MA	000545-25
16	Asm, Swivel Unit B-0187	002850-40
	Ball Fitting PLN 5/8-27 Threaded	*
17	Adapter, GN End x 3/4-14 MA	000552-25
18	Nut, Hex, Swivel Pre-Rinse	000735-40
19	Stem, Swivel Pre-Rinse	000839-25
20	O-Ring, Swivel Piece	001074-45

Flex Hose & Spray Assembly

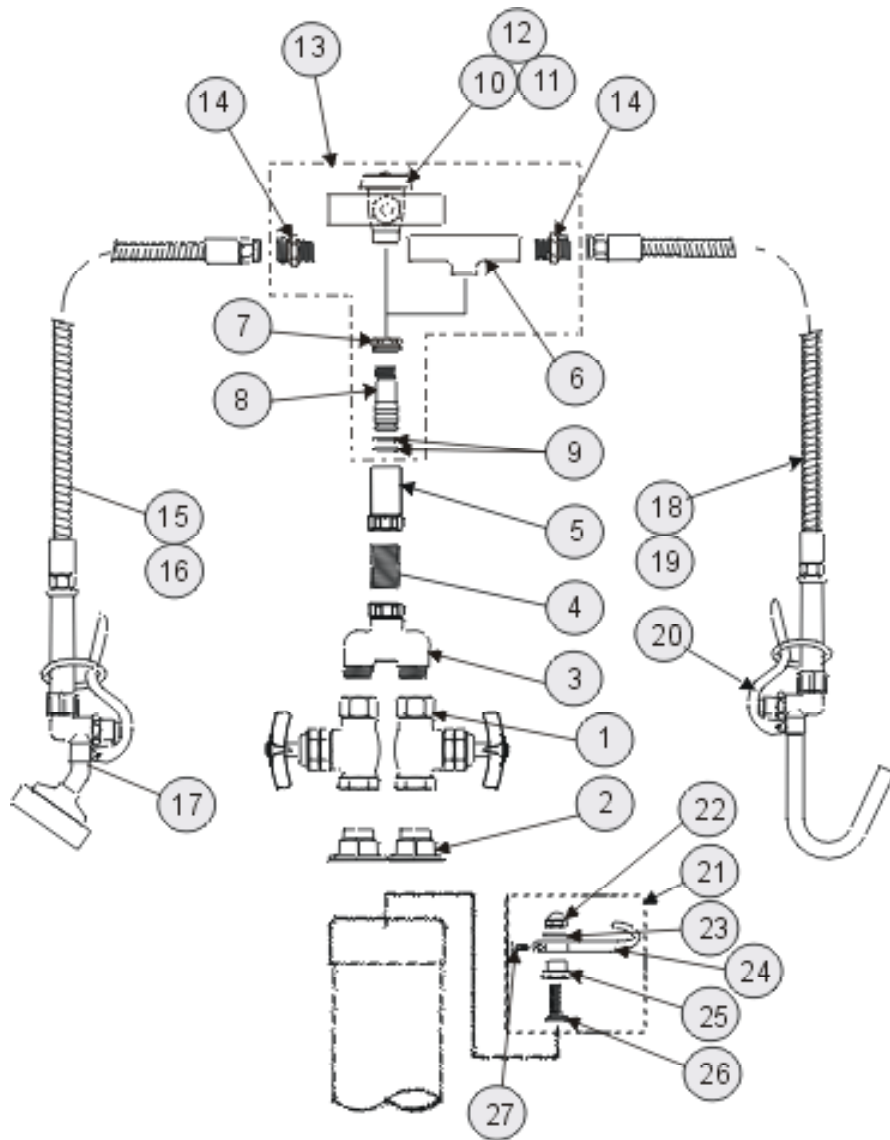
21	Asm, Flex S/S Hose 104"	B-0104-C
	Asm, Flex S/S Hose 68"	B-0068-C
22	Asm, Spray Valve B-0182	002853-40
23	Asm, Spry Viv & Hook Nozzle B-0187	002851-40
31	Washer, #27	010476-45

Hook & Bolt Assembly

24	Asm, Hook & Bolt	002852-40
25	Nut, Acorn	000950-25
26	Washer, Hook	000975-25
27	Hook, Finger 4R	000021-40
28	Nut, Finger Hook Spacer	000705-40
29	Bolt, Finger Hook	001578-20
30	Screw, Finger Hook	000916-45

Exploded View

Kettle Kaddy B-0192 and B-0193



* Some items are listed for instructional purposes and may not be sold as separate parts.

Part Number Guide

Kettle Kaddy Assembly B-0192

1	Asm, Valve	002901-40
2	Flange, Cap 1/2 NPSL	001457-40
3	Mixing Yoke, "Y" B-0182	000175-40
4	Nipple, Close 1/2 NPT	002533-25
5	Swivel Body, 1/2" Pre-Rinse	000592-25
6	Asm, VB Nozzle B-0193	002854-40
	Asm, Swivel Unit B-0192	002855-40
7	Nut, Hex, Swivel Pre-Rinse	000735-40
8	Stem, Swivel Pre-Rinse	000839-25
9	O-Ring, Swivel Piece	001074-45
10	Tee Stem	*
11	Adapter, 3/8 MA x 3/4-14 MA	000545-25
12	Asm, Vacuum Breaker, 3/8 B-0193	005256-40
13	Nipple, Close 3/8 NPT	002535-25

Flex Hose & Spray Assembly

14	Asm, Flex S/S Hose 104"	B-0104-C
15	Asm, Spray Valve B-0192	002853-40
16	Asm, Flex S/S Hose 68"	B-0068-C
17	Asm, Spray Vlv & Hook Nzl B-0182	002851-40
18	#27 Washer	010476-45

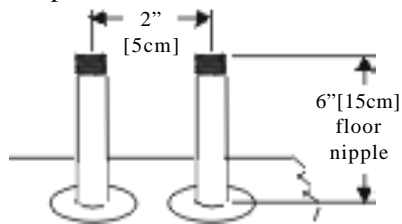
Hook & Bolt Assembly

19	Asm, Hook & Bolt	002852-40
20	Nut, Acorn	000950-25
21	Washer, Hook	000975-25
22	Hook, Finger 4R	000021-40
23	Nut, Finger Hook Spacer	000705-40
24	Bolt, Finger Hook	001578-20
25	Screw, Finger Hook	000916-45

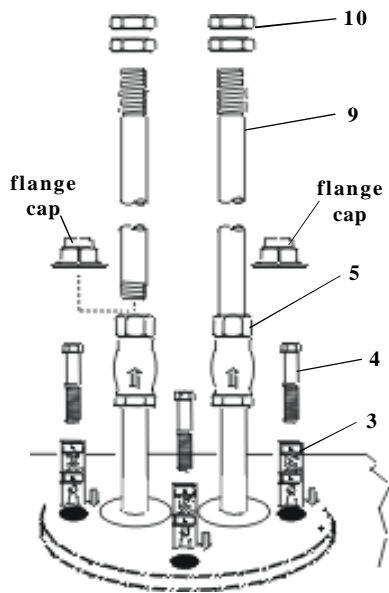
General Instructions

Installation: Stanchion Unit

1. Shut off water supply and drain lines. Prepare (2) two ½" IPS (Iron Pipe Size) nipples extending 6" [15cm] above the floor, roughed into concrete. Apply Teflon Tape or pipe joint compound to threads.



2. Screw no.5 onto floor nipples. **Be sure to install with arrows pointing up.** Apply Teflon Tape or pipe joint compound to threaded ends.

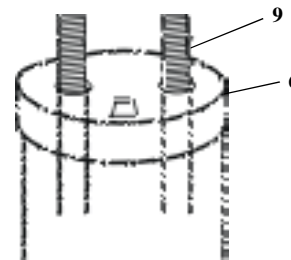


3. Unscrew *flange caps* from bottom end of no.9. Apply Teflon Tape or pipe joint compound to threads of no.9.

4. Screw no.9 into each no.5 with running threads up.

5. Remove no.10 from top of no.9.

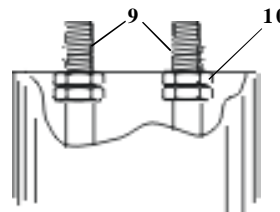
6. Slide no.1 cover over assembly and put no.6 (or no.7 or no.8) in place to make certain no.9 is centered thru holes in no.6.



7. Mark floor for no.1 drilling locations while no.1, no.2 and no.6 is on.

8. Remove no.1, no.2 and no.6 and drill (3) three 7/8" [2 cm] Ø holes into floor, 2-1/2" [6 cm] deep. Insert no.3.

9. Replace no.1 and no.2 *without* no.6. Screw (2) two no.10's down on each no.9. Adjust each pair of no.10's so they are flush with the top of no.2 and jammed together.

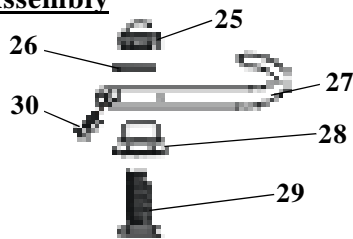


10. Place no.6 over no.2. Attach *flange caps* to no.6 and tighten.

Item no.4 to be attached to floor only after final test for leaks has been completed.

General Instructions

Installation: Hook and Bolt Assembly



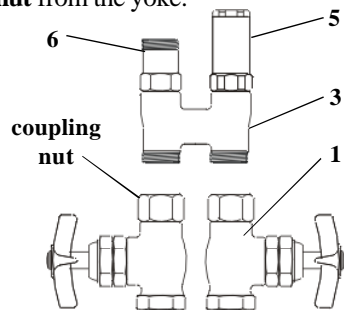
10. Insert no. **29** through bottom hole of no. **6**, screw on no. **28** at top of no. **6**, place no. **27** onto no. **28**. No. **26** goes onto no. **27**, then screw no. **25** onto no. **29** and tighten. Position no. **27** as desired. Tighten no. **30** as needed.

Note: Hook and bolt installation will be similar on other units.

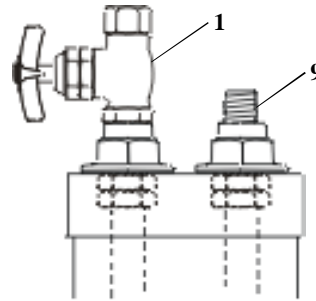
Installation: Kettle Kaddy Assembly

Note: Use item numbers from B-0182 exploded view. Other models are similar.

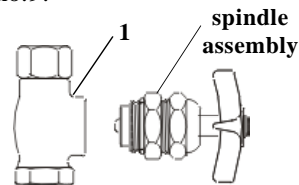
11. Remove (no. **3**) yoke from no. **1** valves by unscrewing each **coupling nut** from the yoke.



12. Apply Teflon Tape or pipe joint compound to threads of no. **9**. Place no. **1** onto no. **9** as far as it will go.



13. Remove **spindle assembly** from the second no. **1**, screw valve onto other no. **9**.

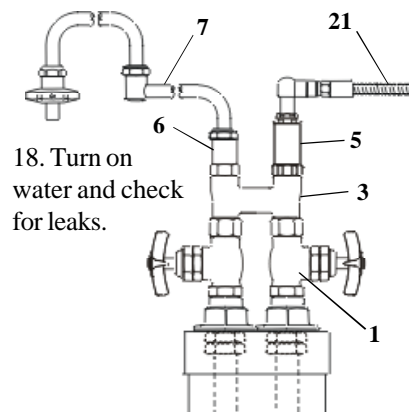


14. Replace **spindle assembly** onto no. **1** body.

15. Replace no. **3** on both no. **1** couplings and tighten with a wrench.

16. Attach no. **7** to no. **6**.

17. Attach no. **21** to no. **5**.

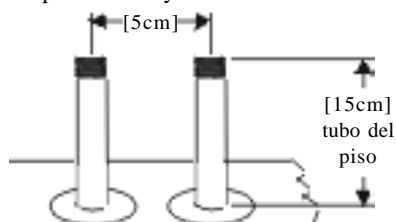


18. Turn on water and check for leaks.

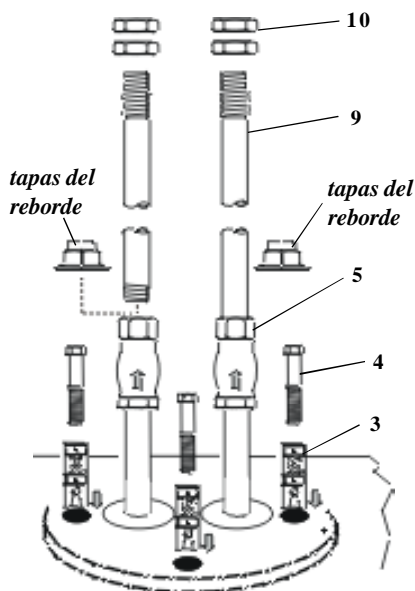
Instruccione Generales

Instalación: Unidad De Puntal

1. Cierre la fuente de agua y desagüe las tuberías. Perfore (2) dos tubos de 1/2" IPS (Tamaño De Tubo Hierro) extendiendo 15 cm sobre el piso, aproximadamente en el concreto. Aplique cinta de Teflon ó compuesto de coyuntura a las roscas.



2. Atomille la parte No.5 en los tubos del piso. Este seguro de instalar con las flechas señalando hacia arriba. Aplique cinta de Teflon ó compuesto de coyuntura a las extremidades enroscadas.

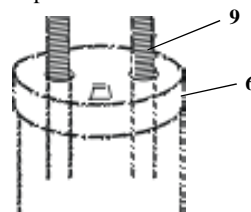


3. Destornille las *tapas del reborde* del extremo inferior de la parte No.9. Aplique cinta de Teflon ó compuesto de coyuntura a las roscas de la parte No.9.

4. Atornille las partes No.9 a dentro de cada parte No.5 con las roscas largas hacia arriba.

5. Remuéva la parte No.10 sobre la parte No.9.

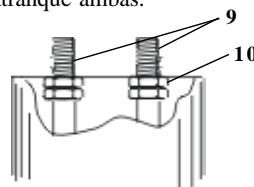
6. Deslice el cubre parte No.1 sobre el ensamble y ponga la parte No.6 (ó No.7 ó No.8) en sitio para asegurar que la parte No.9 este centrada a través de los huecos en la parte No.6.



7. Indique el piso para la localización de los huecos de la parte No.1 *mientras que esten encima las partes No.1, No.2 y No.6.*

8. Remuéva las parte No.1, No.2 y No.6 y perfore (3) tres huecos de 2 cm Ø en el piso, 6 cm de profundo. Insarte las partes No.3.

9. Coloque de nuevo las partes No.1 y No.2 *sin la parte No.6.* Atomille (2) dos parte No.10 en cada parte No.9. Ajuste cada par de partes No.10 a medida que esten rás con la parte de arriba de la parte No.2 y atranque ambas.

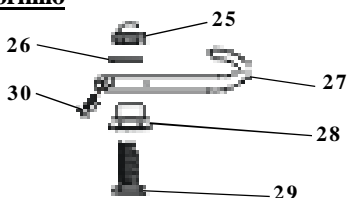


10. Coloque la parte No.6 sobre la parte No.2. Junte las *tapas de reborde* a la parte No.6 y aprete.

El artículo No.4 será pegado al piso solamente después de que se haya completado la inspeccion final para filtraciones.

Instruccione Generales

Instalación: Gancho y Ensamble De Tornillo



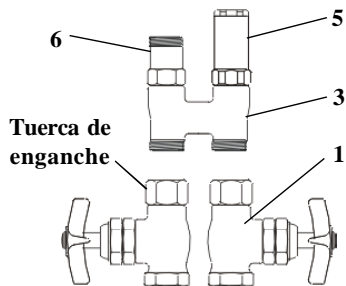
10. Inserte la parte No.29 a través del hueco inferior de la parte No.6, atornille la parte No.28 sobre la parte No.6, coloque la parte No.27 en la parte No.28. La parte No.26 va en la parte No.27, luego atornille la parte No.25 en la parte No.29 y aprete. Posicione la parte No.27 a su deseo. Apreté la parte No.30 como sea necesitado.

Nota: La instalación de el gancho y el tornillo será semejantes en otras unidades.

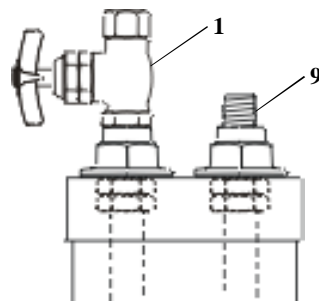
Instalación: Ensamble Del Kettle Kaddy

Nota: Use los numeros de los articulos del dibujo ampliado B-0182. Otros modelos son semejantes.

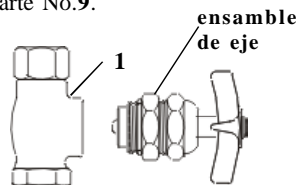
11. Remuéva (No.3) yugo de las valvulas parte No.1 destornillando cada *tuerca de enganche* de el yugo.



12. Aplique cinta de Teflon ó compuesto de coyuntura a las roscas de la parte No.9. Coloque la parte No.1 dentro de la parte No.9 hasta su máximo trayecto.



13. Remuéva el *ensamble de eje* del segundo No.1, atornille la válvula en la otra parte No.9.



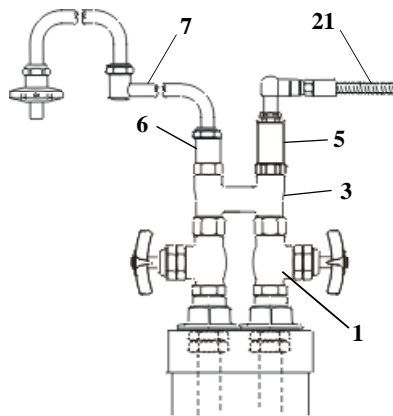
14. Coloque de nuevo el *ensamble de eje* en el cuerpo de la parte No.1.

15. Coloque de nuevo la parte No.3 en ambos tuercas de enganche parte No.1 y aprete con una llave.

16. Junte la parte No.7 a la parte No.6.

17. Junte la arte No.21 a la parte No.5.

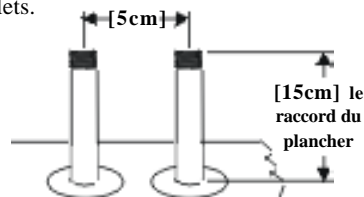
18. Abra el agua e inspeccione por filtraciones.



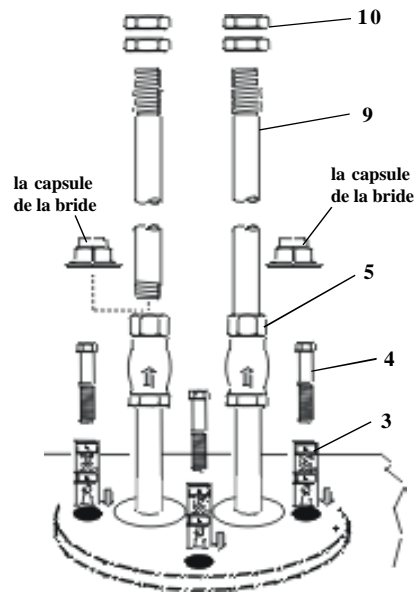
Instructions Générales

L'Installation : L'élément Stanchion

1. Fermer la réserve de l'eau et égoutter la tuyauterie. Préparer(2) deux 1/2" IPS (en Anglais "Iron Pipe Size" en Français la taille des tuyaux en fer) raccords à l'hauteur de 15cm au-dessus du plancher, déjà en béton. Appliquer le ruban en Téflon ou le composé pour les tuyaux aux filets.



2. Visser N°.5 sur les raccords du plancher; Soyez certain que les flèches indiquent le haut. Appliquer le ruban en Téflon ou le composé pour les tuyaux aux extrémités avec les filets.

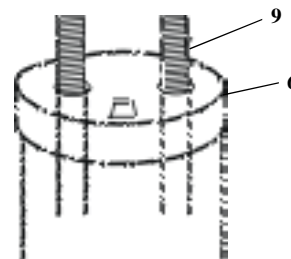


3. Dévisser les capsules de la bride de l'extrémité du fond de N°.9. Appliquer le ruban en Téflon ou le composé aux filets de N°.9.

4. Visser N°.9 dans chaque N°.5 avec le filets courants vers le haut.

5. Enlever N°.10 du haut de N°.9.

6. Faire glisser la couverture sur l'assemblage et mettre N°.6 (ou N°.7 ou N°.8) à sa place pour vérifier que N°.9 être au centre à travers les trous dans N°.6.

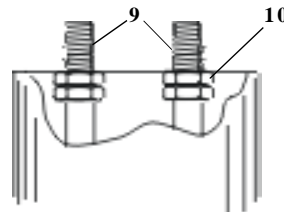


7. Marquer le plancher pour l'emplacement pour percer pendant N°.1, N°.2 et N°.6 être à ses places.

8. Enlever N°.1, N°.2 et N°.6 et percer (3) trois trous avec un diamètre 2cm dans le plancher et 6cm profonde. Insérer N°.3.

9. Remplacer N°.1 et N°.2 sans N°.6.

Visser (2) deux N°.10's sur chaque N°.9. Régler chaque paire de N°.10's jusqu'elles sont au même niveau que le haut de N°.2 et elles enfoncer ensemble.

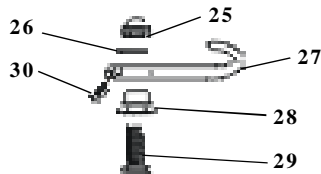


10. Mettre N°.6 sur N°.2. Attacher les capsules de la bride et resserrer.

On pouvoir attacher N°.4 au plancher après on a terminé les essais pour les fuites.

Instructions Générales

L'Installation : L'Assemblage de L'Agrafe et Le Boulon



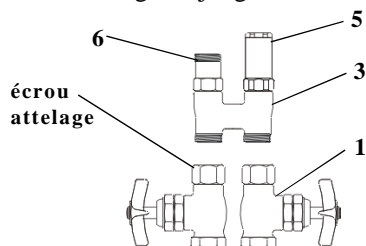
10. Insérer N°.**29** à travers le trou au fond de N°.**6.**, visser N°.**28** au haut de N°.**6.**, mettre N°.**27** sur N°.**28**. N°.**26** aller sur N°.**27**, puis visser N°.**25** sur N°.**29** et resserrer. Mettre N°.**27** comme désiré. Resserrer N°.**30** comme nécessaire.

Noter: L'installation de l'agrafe et le boulon être semblable des autres éléments.

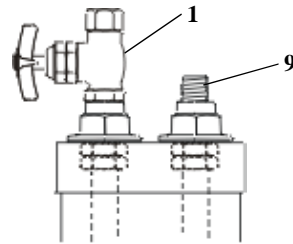
L'Installation: L'Assemblage "Kettle Kaddy"

Noter: Utiliser les numéros de B-0182 la vue agrandie. Les autres modèles être semblables.

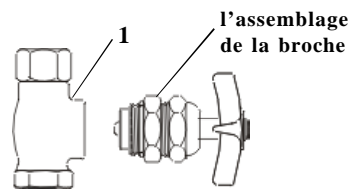
11. Enlever le (N°.**3**) joug des soupapes N°.**1** en dévissant chaque écrou attelage du joug.



12. Appliquer le ruban en Téflon ou le composé pour les tuyaux aux filets de N°.**9**. Mettre N°.**1** dans N°.**9** aussi loins que possible.



13. Enlever l'assemblage de la broche de deuxième N°.**1**, visser la soupape sur l'autre N°.**9**.



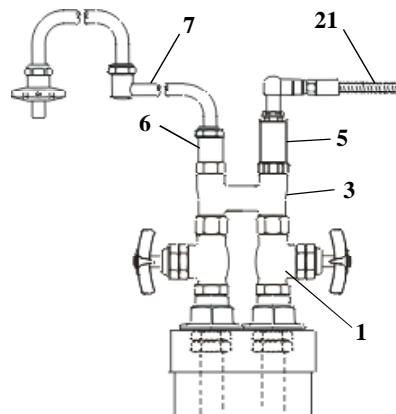
14. Remplacer l'assemblage de la broche sur N°.**1**.

15. Remplacer N°.**3** sur les attelages (tous les deux) de N°.**1** et resserrer avec une clef anglaise.

16. Attacher N°.**7** à N°.**6**.

17. Attacher N°.**21** à N°.**5**.

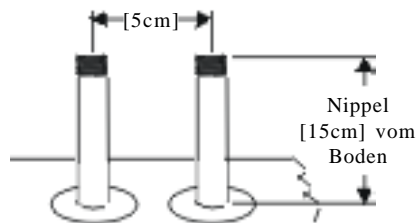
18. Recommencer l'eau et vérifier s'il y a des fuites.



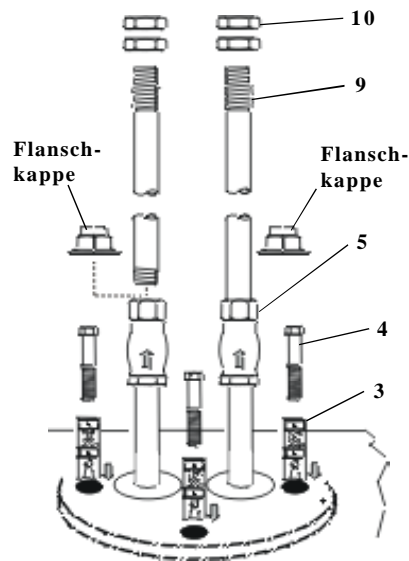
Allgemeine Anleitungen

Installation: Halterung

1. Wasserzulauf absperrern und Leitungen entleeren. Zwei 1,25 cm große IPS-Nippel, die 15 cm über den Boden ragen, in Beton vorbereiten. Teflonband oder Rohr dichtungs- masse auf das Gewinde auftragen.



2. Nr. 5 in den Boden nippel einschrauben. *Sicherstellen, daß die Pfeile nach oben zeigen.* Teflonband oder Rohrdichtungsmasse auf das Gewinde auftragen.

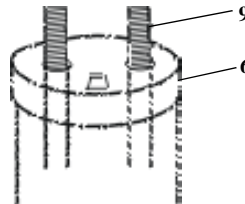


3. *Flansch-kappen* vom unteren Ende von Nr. 9 abschrauben. Teflonband oder Rohrdichtungsmasse auf das Gewinde von Nr. 9 auftragen.

4. Nr. 9 in jede Nr. 5 mit dem Gewinde nach oben einschrauben.

5. Nr. 10 von Nr. 9 oben entfernen.

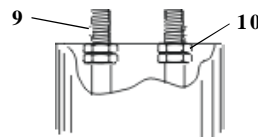
6. Die Abdeckung von Nr. 1 über die Garnitur schieben und Nr. 6 (oder Nr. 7 oder Nr. 8) an die richtige Stelle bringen, um sicherzustellen, daß Nr. 9 durch die Löcher in Nr. 6 zentriert sitzt.



7. Auf dem Fußboden markieren, wo die Löcher gebohrt werden sollen, während Nr. 1, Nr. 2 und Nr. 6 sich an ihrem Platz befinden.

8. Nr. 1, Nr. 2 und Nr. 6 entfernen und drei 2 cm große Löcher, die 6 cm tief sind, in den Boden bohren. Nr. 3 einfügen.

9. Nr. 1 und Nr. 2 *ohne* Nr. 6 wieder einsetzen. Zwei Nr. 10 auf jede Nr. 9 aufschrauben. Jedes Paar Nr. 10 so justieren, daß sie glatt an der Oberfläche von Nr. 2 anliegen und zusammengeklammert sind.

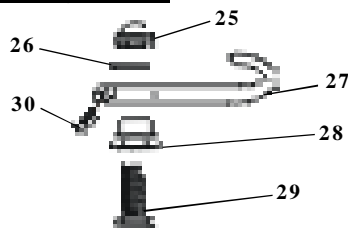


10. Nr. 6 über Nr. 2 legen. Die *Flansch-kappen* auf Nr. 6 befestigen und festziehen.

Nr. 4 wird erst auf dem Boden befestigt, nachdem der abschließende Dichtigkeitstest durchgeführt worden ist.

Allgemeine Anleitungen

Installation: Haken- und Bolzgarnitur



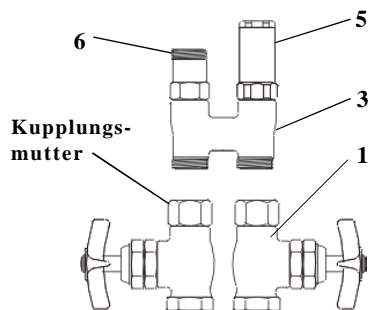
10. Nr. 29 durch das unterste Loch von Nr. 6 hindurchführen, Nr. 28 oben auf Nr. 6 aufschrauben, Nr. 27 auf Nr. 28 fügen. Nr. 26 gehört auf Nr. 27, dann Nr. 25 auf Nr. 29 aufschrauben und festziehen. Nr. 27 an die gewünschte Stelle positionieren. Nr. 30 je nach Bedarf festziehen.

Anmerkung: Die Haken- und Bolzgarnitur ist bei anderen Einheiten ähnlich.

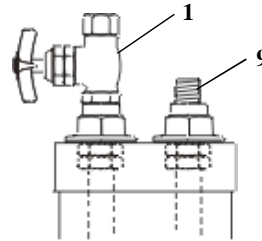
Installation: Wasserkesselkasten

Anmerkung: Die Zahlen von der Darstellung in auseinandergezogener Anordnung von B-0182 benutzen. Andere Modelle sind ähnlich.

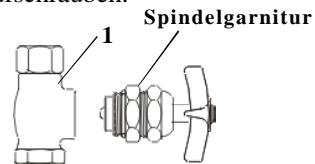
11. Joch (Nr. 3) von den Ventilen Nr. 1 durch Lösen jeder Kupplungsmutter von dem Joch entfernen.



12. Teflonband oder Rohrdichtungsmasse auf das Gewinde von Nr. 9 auftragen. Nr. 1 so weit wie möglich auf Nr. 9 aufsetzen.



13. Spindelgarnitur von der zweiten Nr. 1 entfernen, Ventil auf die andere Nr. 9 aufschrauben.

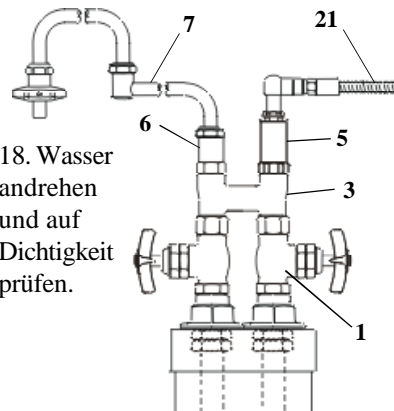


14. Spindelgarnitur wieder auf den Rumpf von Nr. 1 aufsetzen.

15. Nr. 3 auf beiden Kupplungen Nr. 1 aufsetzen und mit Schraubenschlüssel festziehen.

16. Nr. 7 mit Nr. 6 verbinden.

17. Nr. 21 mit Nr. 5 verbinden.



18. Wasser andrehen und auf Dichtigkeit prüfen.

RELATED T&S BRASS PRODUCT LINE



**B-0190
Combination Kettle
Filler and Spray
Stanchion**

**B-0195
Kettle Filler with
Hook Hose
Stanchion**



T&S BRASS AND BRONZE WORKS, INC.

A firm commitment to application-engineered plumbing products

2 Saddleback Cove, P.O. Box 1088,
Travelers Rest, SC 29690

Phone: (864) 834-4102

Fax: (864) 834-3518

E-mail: tsbrass@tsbrass.com

T & S Brass-Europe

'De Veenhoeve'

Oude Nieuwveenseweg 84

2441 CW Nieuwveen

The Netherlands





Installation and Maintenance Instructions

Limited One Year Warranty

T&S warrants to the original purchaser (other than for purposes of resale) that such product is free from defects in material and workmanship for a period of one (1) year from the date of purchase. During this one-year warranty period, if the product is found to be defective, T&S shall, at its options, repair and/or replace it. To obtain warranty service, products must be returned to...

*T&S Brass and Bronze Works, Inc.
Attn: Warranty Repair Department
2 Saddleback Cove
Travelers Rest, SC 29690*

Shipping, freight, insurance, and other transportation charges of the product to T&S and the return of repaired or replaced product to the purchaser are the responsibility of the purchaser. Repair and/or replacement shall be made within a reasonable time after receipt by T&S of the returned product. This warranty does not cover items which have received secondary finishing or have been altered or modified after purchase, or for defects caused by physical abuse to or misuse of the product, or shipment of the products.

Any express warranty not provided herein, and any remedy for Breach of Contract which might arise, is hereby excluded and disclaimed. Any implied warranties of merchantability or fitness for a particular purpose are limited to one year in duration. Under no circumstances shall T&S be liable for loss of use or any special consequential costs, expenses or damages.

Some states do not allow limitations on how long and implied warranty lasts or the exclusion or limitation of incidental or consequential damages, so the above limitations or exclusions may not apply to you. Specific rights under this warranty and other rights vary from state to state.

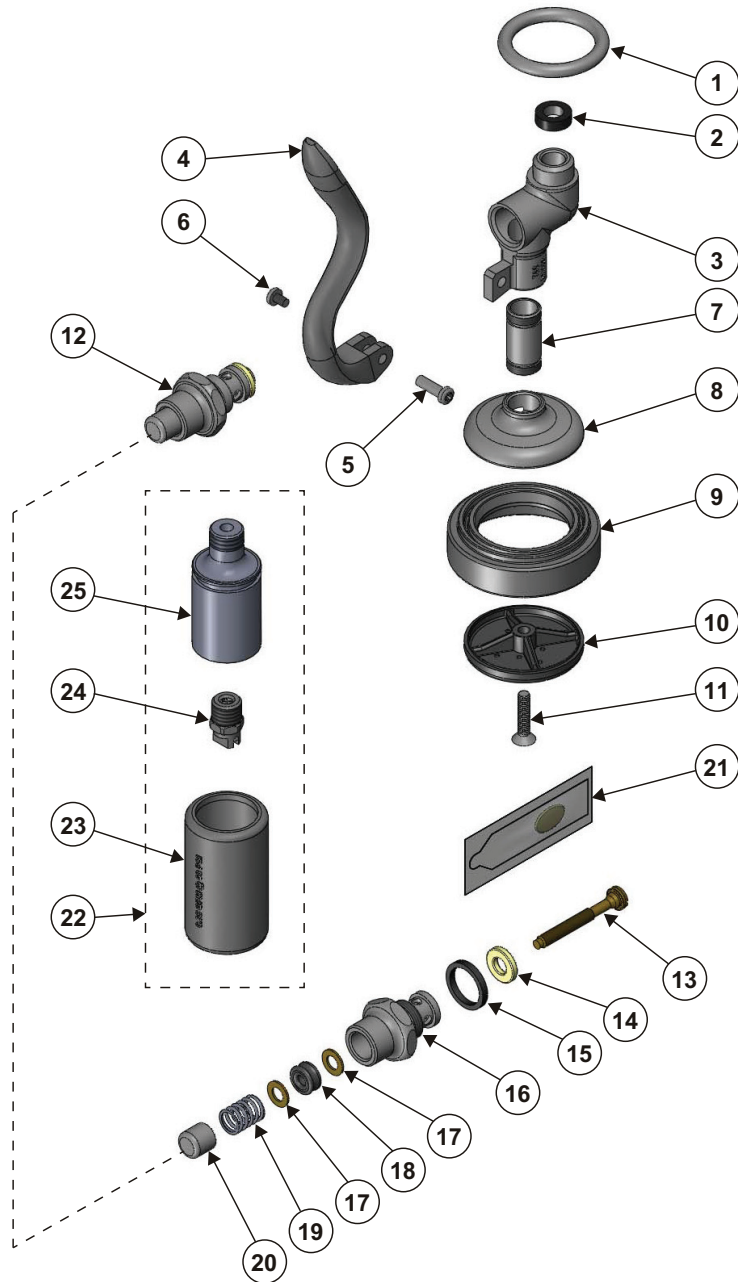
P/N: 098-011027-45 Rev.9
Date: 03-22-12
Drawn: TEH
Checked: JRM 03-26-12
Approved: JHB 03-27-12



Pre-Rinse Spray Valve

- | | |
|-----------------|------------------|
| B-0107 | UK-0107 |
| B-0107-C | UK-10K |
| B-0107-J | EB-0107 |
| B-10K | EB-0107-C |
| B-10K-C | EB-0107-J |
| B-10K-J | EB-10K |
| | EB-10K-C |
| | EB-10K-J |

Exploded View



Grey Part Number Guide

**PARTS
KIT**

PARTS FOR ANY GREY T&S SPRAY VALVE

1,2,3	1	Ring, Hold Down	000907-45
	2	#27 Washer	010476-45
	3	Body, Spray Valve	000065-40
	4	Grey Handle	001120-45
	5	Nut, Handle	003198-45
	6	Screw, Handle	003199-45

PARTS FOR ANY GREY BONNET ASSEMBLY

1,2,3	12	Bonnet Assembly	002856-40
	13	Stem	009306-20
1,2,3	14	Washer, Seat	012915-45
1,2,3	15	Washer, Bonnet Binding	001040-45
	16	Bonnet	000608-25
1,2,3	17	Washer, Bonnet Brass	000974-45
1,2,3	18	Stem, Packing	001100-45
1,2,3	19	Spring, Bonnet	000895-45
	20	Push Button	000753-25
1,2,3	21	Grease Pack	012665-45

GREY SPRAY VALVES

B-0107 (1.42 GPM)			
	7	Nipple	000694-40
	8	Cup, Spray	000019-40
1	9	Ring, Sprayhead	007861-45
1	10	1.42 GPM Sprayface	001121-45
1	11	Screw, Sprayface	000913-45
B-0107-C (0.65 GPM)			
	22	Assembly, B-0107C Spray Nozzle	002662-40
2	23	0.65 GPM Grey Shield (No Outline Around Lettering)	002659-45
	24	0.65 GPM Spray Nozzle (0.65 Stamped on Face)	N/A
B-0107-J (1.07 GPM)			
	22	Assembly, B-0107-J Spray Nozzle	N/A
3	23	1.07 GPM Grey Shield (Square Outline)	018292-45
	24	1.07 GPM Spray Nozzle (1.07 Stamped on Face)	N/A
	25	Nozzle Holder	N/A

#1 Parts included in B-10K
 #2 Parts included in B-10K-C
 #3 Parts included in B-10K-J

Blue Part Number Guide

PARTS KIT

PARTS FOR ANY BLUE T&S SPRAY VALVE

4,5,6,7	1	Ring, Hold Down	000907-45
	2	#27 Washer	010476-45
	3	Body, Spray Valve	000065-40
	4	Blue Handle	011454-45
	5	Nut, Handle	003198-45
	6	Screw, Handle	003199-45

PARTS FOR ANY BLUE BONNET ASSEMBLY

4,5,6,7	12	Bonnet Assembly	010594-40
	13	Stem	009306-20
	14	Washer, Seat	010563-45
	15	Washer, Bonnet Binding	010565-45
	16	Bonnet	000608-25
	17	Washer, Bonnet Brass	000974-45
	18	Quad Seal	014615-45
	19	Spring, Bonnet	000895-45
	20	Push Button	000753-25
	21	Grease Pack	010573-45

BLUE SPRAY VALVES

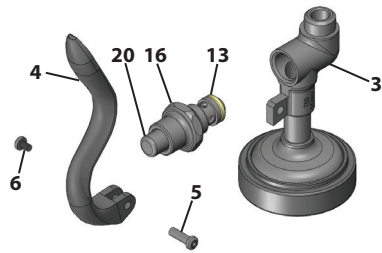
EB-0107 & UK-0107 Only			
4,7	7	Nipple	000694-40
	8	Cup, Spray	000019-40
	9	Ring, Sprayhead	011475-45
	11	Screw, Sprayface	000913-45
4	10	4-6 GPM Sprayface (No Wording on Face)	011456-45
	10	1.42 GPM Sprayface (Flow Rate on Face)	017288-45
5	22	Assembly, EB-0107C Spray Nozzle	N/A
	23	0.65 GPM Blue Shield (No Outline Around Lettering)	011499-45
	24	0.65 GPM Spray Nozzle (0.65 Stamped on Face)	N/A
	24	0.65 GPM Spray Nozzle (0.65 Stamped on Face)	N/A
6	22	Assembly, EB-0107-J Spray Nozzle	N/A
	23	1.07 GPM Blue Shield (Square Outline)	018293-45
	24	1.07 GPM Spray Nozzle (1.07 Stamped on Face)	N/A
	24	1.07 GPM Spray Nozzle (1.07 Stamped on Face)	N/A
	25	Nozzle Holder	N/A

- #4 Parts included in EB-10K
- #5 Parts included in EB-10K-C
- #6 Parts included in EB-10K-J
- #7 Parts included in UK-10K

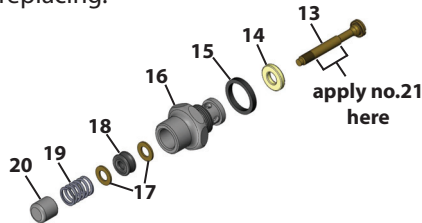
General Instructions

To replace worn parts:

1. Shut off water supply and drain lines. For ease of disassembly and reassembly, the *handle grip* can be removed from no.3.
2. Unscrew no.5 and no.6 to remove no.4. Unscrew and remove no.16 from no.3.
3. Hold no.20 with pliers in one hand, and with screwdriver, carefully unscrew no.13 from no.16.



4. Apply no.21 over smooth portion of no.13. Replace no.14, no.15, no.17, no.18 & no.19 with new parts. Dab no.21 onto valve side of no.19 before replacing.



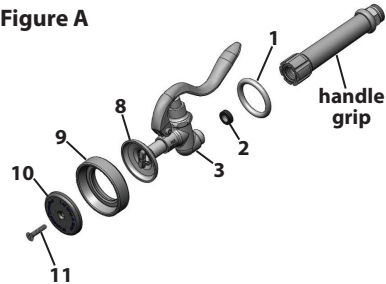
5. Reassemble no.16 by inserting no.13 through all parts. Hold no.20 with pliers, and carefully screw no.13 into no.20 until screw feels tight. Do not use excessive force.
6. Reinsert no.16 in no.3 and tighten securely.
7. Reassemble no.4, no.5 and no.6 on no.3.

8. **For EB-0107/UK-0107 & B-0107 ONLY:** To replace no.9, unscrew no.11 and disassemble. Make sure the groove side of no.9 fits over no.8, and no.10 rest on ridge side. See Figure A.

9. To replace no.2, unscrew handle grip from no.3 and replace with new no.2.

10. Reassemble; turn on water check for leaks.

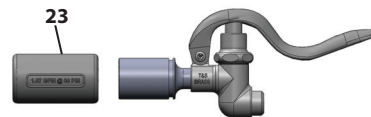
Figure A



11. **For EB-0107-C, EB-0107-J, B-0107-C & B-0107-J ONLY:** To replace no.23, slide no.23 off no.25, and slide a new no.23 back onto no.25. No.23 will snap into groove on no.25. See Figure B.

* **Verify the flow rate on no.23 matches spray tip inside no.25.**

Figure B



Caution: Turn off water supply at base faucet when not in use.

RELATED T&S BRASS PRODUCT LINE



**B-0108
JeTSpray
Spray Valve**



**B-0108-C
JeTSpray
Low Flow
Spray Valve**

T&S BRASS AND BRONZE WORKS, INC.

A firm commitment to application-engineered plumbing products

2 Saddleback Cove, P.O. Box 1088,
Travelers Rest, SC 29690

Phone: (864) 834-4102
Fax: (864) 834-3518

E-mail: tsbrass@tsbrass.com

T & S Brass-Europe
'De Veenhoeve'
Oude Nieuwveenseweg 84
2441 CW Nieuwveen

The Netherlands



RELIABILITY BUILT IN™