



#### Limited One Year Warranty

T&S warrants to the original purchaser (other than for purposes of resale) that such product is free from defects in material and workmanship for a period of one (1) year from the date of purchase. During this one-year warranty period, if the product is found to be defective, T&S shall, at its options, repair and/or replace it. To obtain warranty service, products must be returned to...

T&S Brass and Bronze Works, Inc.  
Attn: Warranty Repair Department  
2 Saddleback Cove  
Travelers Rest, SC 29690

Shipping, freight, insurance, and other transportation charges of the product to T&S and the return of repaired or replaced product to the purchaser are the responsibility of the purchaser. Repair and/or replacement shall be made within a reasonable time after receipt by T&S of the returned product. This warranty does not cover items which have received secondary finishing or have been altered or modified after purchase, or for defects caused by physical abuse to or misuse of the product, or shipment of the products.

Any express warranty not provided herein, and any remedy for Breach of Contract which might arise, is hereby excluded and disclaimed. Any implied warranties of merchantability or fitness for a particular purpose are limited to one year in duration. Under no circumstances shall T&S be liable for loss of use or any special consequential costs, expenses or damages.

Some states do not allow limitations on how long an implied warranty lasts or the exclusion or limitation of incidental or consequential damages, so the above limitations or exclusions may not apply to you. Specific rights under this warranty and other rights vary from state to state.

P/N: 098-002261-45 Rev 3  
Date: 09-12-01  
Drawn: TEH  
Checked: DLT 11-27-01  
Approved: MVW 12-11-01

# Installation and Maintenance Instructions



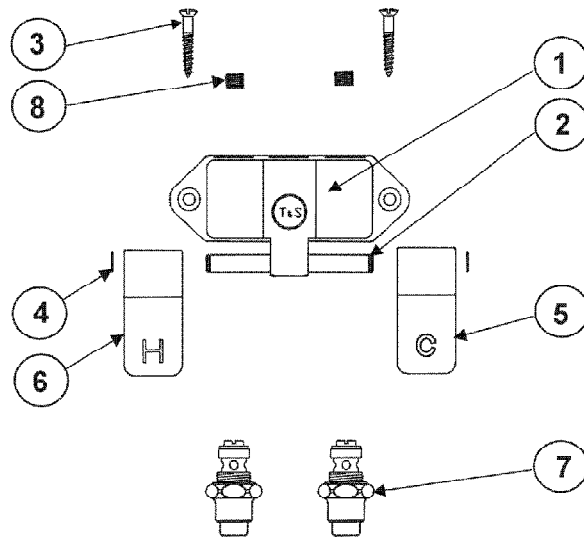
## FLOOR MOUNTED DOUBLE PEDAL VALVE B-0502

**Deutsch:** Installations- und  
Wartungsanleitungen

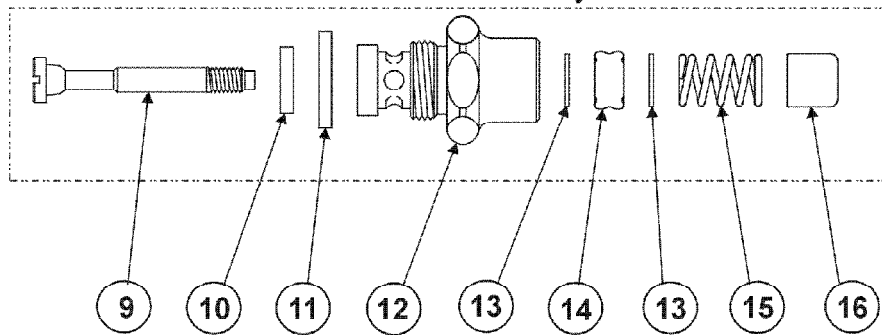
**Español:** la Instalación y las  
Instrucciones de  
Mantenimiento

**Français:** les Instructions  
d'Installation et  
d'Entretien

# Exploded View



## Bonnet Assembly



\* Some items are listed for instructional purposes and may not be sold as separate parts.

# Part Number Guide

## ***Body & Shaft Assembly***

1	Body, Double Pedal	*
2	Shaft	*
3	Screw, Mounting	000915-45
4	Snap-ring	012512-45
5	Pedal, Foot (Cold)	000091-25
6	Pedal, Foot (Hot)	000092-25
7	Asm, Bonnet	005312-40
8	Socket Plug	*

## ***Bonnet Assembly - 005312-40***

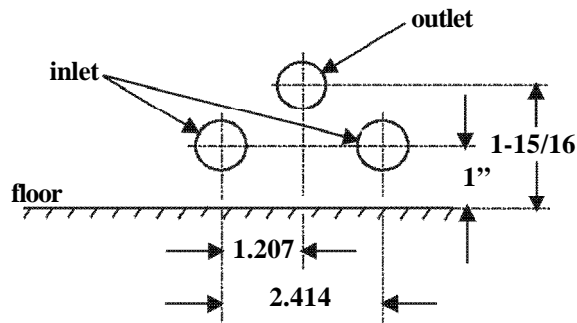
9	Stem, Valve	009306-20
10	Seat Washer	012915-45
11	Washer, Bonnet Binding	*
12	Bonnet	000608-25
13	Washer	000974-45
14	Packing Stem	001100-45
15	Spring	003690-45
16	Pushbutton	000753-25

**Note:** Items 9-11 and 13-15 are included in the B-50-P parts kit  
Each item with a quantity of 4

# General Instructions

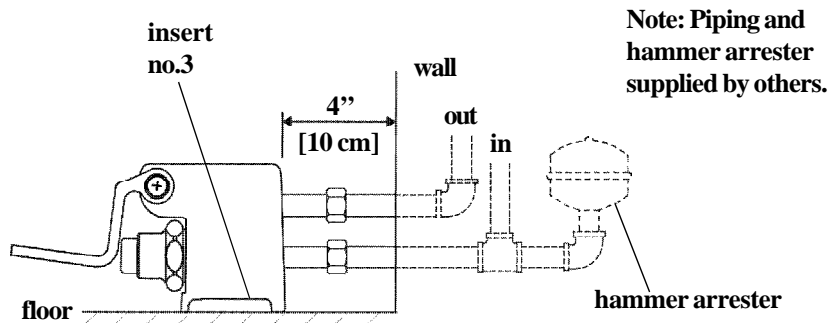
## **Installation:**

1. Shut off water supply and drain lines.
2. Drill (two) holes for ½" NPT (National Pipe Threads) inlets and (one) ½" NPT outlets for connections coming from wall. (See drilling dimensions for hole.)



3. Mount assembly to floor with two no.3's, allowing 4" [10 cm] or more from back of unit to wall. Install two (2) inlets (hot and cold sides) and one (1) outlet.
4. Apply teflon tape or pipe joint compound to threads of supply lines. Connect supply lines with ½" NPT piping.
5. Turn on water and check for leaks.

Note: It is strongly recommended that each supply line be equipped with a hammer arrester installed per manufacturer's instructions. A typical installation is shown:

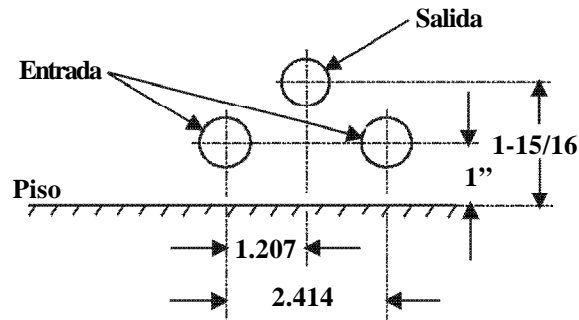


**Note: To order replacement parts, order the B-50-P parts kit.  
(For repair of no.7)**

# Instrucciones Generales

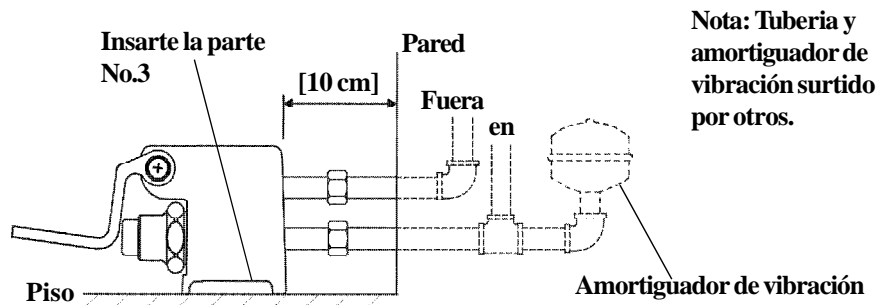
## Instalación:

1. Cierre la fuente de agua y desagüe las tuberías.
2. Perfore 2 (dos) huecos para entradas con rosca de tamaño 1/2" NPT (Rosca Nacional De Tubo) y 1 (uno) 1/2" NPT de salida para conexiones que vienen de la pared. (Vea dimensiones para taladrar el hueco.)



3. Con dos partes No.3 monte el ensamblaje al piso, permitiendo 4" [10 cm] ó más de la parte de atrás de la unidad a la pared. Instale 2 (dos) entrada (lados caliente y frío) y 1 (una) salida.
4. Aplique cinta de Teflon ó compuesto de coyuntura para tubería a las roscas de las líneas de surtido. Conecte las líneas de surtido con tubería tamaño 1/2" NPT.
5. Abra el agua e inspeccione por filtraciones.

Nota: Es altamente recomendado que cada línea de surtido sea equipada con amortiguador de vibración. Una instalación típica esta demostrada:



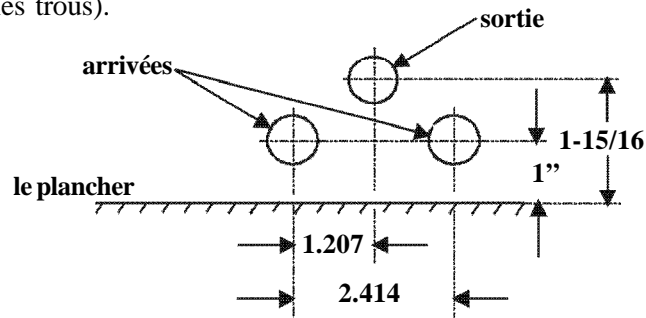
Nota: Tubería y amortiguador de vibración surtido por otros.

Nota: Para pedir repuestos, pida el estuche de partes B-50-P. (Para reparo de la parte No.7).

# Instructions Générales

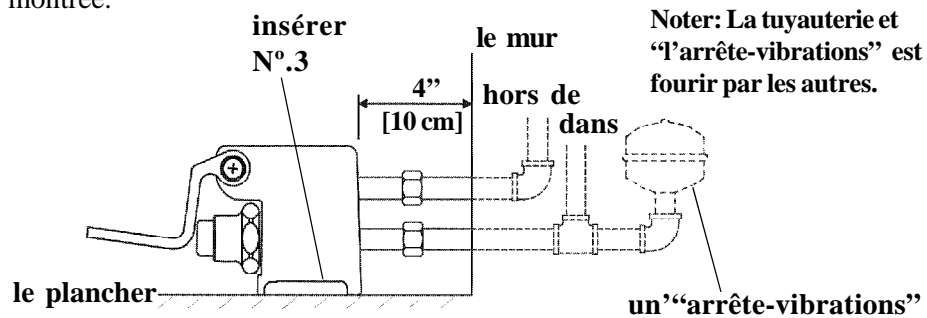
## L'Installation:

1. Fermer la réserve de l'eau et égoutter la tuyauterie.
2. Percer (deux) trous pour les arrivées 1/2" NPT (en Anglais -National Pipe Thread- la traduction littérale en Français: le filet de tuyau national) et (une) sortie 1/2" NPT pour les connexions du mur. (Voir les dimensions pour percer les trous).



3. Monter l'assemblage au plancher avec deux N°.3 en permettant 10cm. ou plus de l'arrière de l'élément au mur. Installer (2) arrivées (les côtés froids et chauds) et (1) sortie.
4. Appliquer le ruban en Téflon ou le composé pour les tuyaux aux filets des tuyaux qui fournir l'eau. Brancher les tuyaux qui fournir l'eau avec la tuyauterie de 1/2" NPT.
5. Recommencer l'eau et vérifier s'il y a des fuites.

Noter: On lui recommande vivement que chaque canalisation d'alimentation devrait être équipée d'un "arrête-vibrations". Une installation typique est montrée.

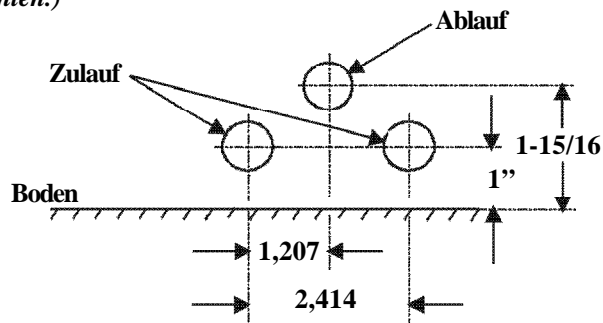


*Noter: Pour commander les parties replacements, commander; la trousse des parties B-50-P (Pour réparer N°.7).*

# Allgemeine Anleitungen

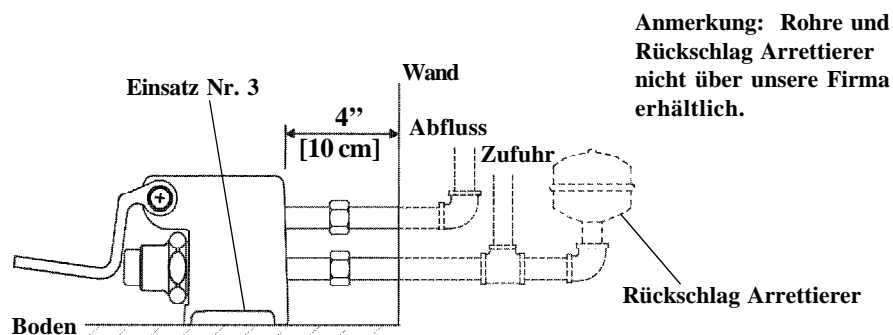
## Installation:

1. Wasserzulauf schließen und die Leitungen leeren.
2. Löcher für zwei Zuflußleitungen mit 1/2" NPT - (*nationales Rohrgewinde*) und eine Abflußleitung mit 1/2" NPT zum Anschluß an die Wand bohren. (*Bohrmaße für Löcher beachten.*)



3. Garnitur am Boden mit zwei Nr. 3 montieren, wobei zwischen der Einheit und der Wand ein Abstand von mindestens 10 cm eingehalten werden muß. Zwei Zuflußleitungen (für Kalt- und Warmwasser) und eine Abflußleitung installieren.
4. Für die Gewinde der Zulaufleitungen Teflonband oder Rohrdichtungsmasse verwenden. Zulaufleitungen mit den 1/2" NPT Rohrleitungen verbinden.
5. Wasserzulauf andrehen und auf Dichtigkeit prüfen.

Achtung: Es empfiehlt sich in jeder Wasserleitung einen Rückschlag Arretierer einzubauen. Typisch erfolgt der Einbau wie abgebildet:



Anmerkung: Rohre und Rückschlag Arretierer nicht über unsere Firma erhältlich.

Anmerkung: Bei Bestellung von Ersatzteilen, bitte den Teilesatz B-50-P bestellen (zur Reparatur von Nr. 7).

**RELATED T&S BRASS PRODUCT LINE**



**B-0504  
DOUBLE PEDAL VALVE,  
WALL MOUNTED**

---

**T&S BRASS AND BRONZE WORKS, INC.**

A firm commitment to application-engineered plumbing products

2 Saddleback Cove, P.O. Box 1088,  
Travelers Rest, SC 29690

Phone: (864) 834-4102

Fax: (864) 834-3518

E-mail: [tsbrass@tsbrass.com](mailto:tsbrass@tsbrass.com)

T & S Brass-Europe  
'De Veenhoeve'  
Oude Nieuwveenseweg 84  
2441 CW Nieuwveen  
The Netherlands



**RELIABILITY BUILT IN™**







#### Limited One Year Warranty

T&S warrants to the original purchaser (other than for purposes of resale) that such product is free from defects in material and workmanship for a period of one (1) year from the date of purchase. During this one-year warranty period, if the product is found to be defective, T&S shall, at its options, repair and/or replace it. To obtain warranty service, products must be returned to...

*T&S Brass and Bronze Works, Inc.  
Attn: Warranty Repair Department  
2 Saddleback Cove  
Travelers Rest, SC 29690*

Shipping, freight, insurance, and other transportation charges of the product to T&S and the return of repaired or replaced product to the purchaser are the responsibility of the purchaser. Repair and/or replacement shall be made within a reasonable time after receipt by T&S of the returned product. This warranty does not cover items which have received secondary finishing or have been altered or modified after purchase, or for defects caused by physical abuse to or misuse of the product, or shipment of the products.

Any express warranty not provided herein, and any remedy for Breach of Contract which might arise, is hereby excluded and disclaimed. Any implied warranties of merchantability or fitness for a particular purpose are limited to one year in duration. Under no circumstances shall T&S be liable for loss of use or any special consequential costs, expenses or damages.

Some states do not allow limitations on how long an implied warranty lasts or the exclusion or limitation of incidental or consequential damages, so the above limitations or exclusions may not apply to you. Specific rights under this warranty and other rights vary from state to state.

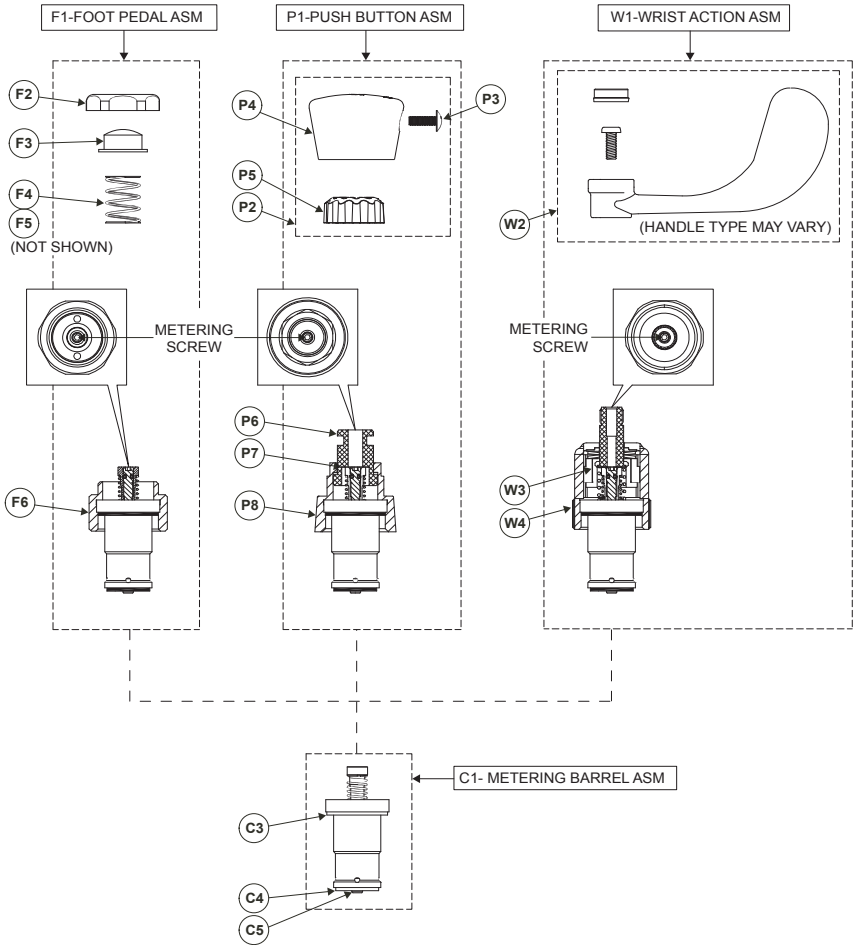
P/N: 098-014733-45 Rev.1  
Date: 05-18-10  
Drawn: TEH  
Checked: GEF 09-13-10  
Approved: JHB 09-13-10

# Installation and Maintenance Instructions



## METERING BARREL ASSEMBLY

# Exploded View



# Part Number Guide

## ***Foot Pedal***

F1	Asm, <b>Floor</b> Mounted Foot Pedal	011399-40
F2	Screw Cap, Foot Pedal	*
F3	Button, Foot Pedal	*
F4	Spring	*
F6	Bonnet, Foot Pedal	*
F1	Asm, <b>Wall</b> Mounted Foot Pedal	011406-40
F2	Screw Cap, Foot Pedal	*
F3	Button, Foot Pedal	*
F4	Spring	*
F5	Spring (011406-40 Asm Not Shown)	*
F6	Bonnet, Foot Pedal	*

## ***Push Button***

P1	Push Button Asm, Blank Valve	238AB
	Screw Cap, Foot Pedal	238AH
	Button, Foot Pedal	238AC
P2	Blank Cap Asm, Push Button	014193-40
	Hot Cap Asm, Push Button	014194-40
	Cold Cap Asm, Push Button	014195-45
P3	Screw Cap, Push Button	014145-45
P4	Blank Cap, Push Button	*
	Hot Cap, Push Button	*
	Cold Cap, Push Button	*
P5	Insulator, Push Button	*
P6	Guide Bushing, Push Button	*
P7	Kapton Washer (Not Shown)	*
P8	Bonnet, Push Button	*

## ***Wrist Action***

W1	Wrist Action Asm	012449-40
W2	Handle Asm (Various Options Available)	*
W3	Repair Kit, Wrist Action	012555-40
	Return Spring	*
	Kapton Washer	*
	Asm, Stem Cam	*
	Linear Cam	*
	Bellville Springs	*
	Stem Bushing	*
W2	Bonnett	*

## ***Metering Barrel Assembly***

C1	Metering Barrel Assembly	014152-40
C2	Seal Repair Kit	014152-40K
C3	Top Seal	*
C4	Bottom Seal	*
C5	Stem Seal	*

\* Items not sold as separate parts; listed for instruction purposes only.

# General Instructions

## Tools Required:

### *Foot Pedal*

- 1 Allen Wrench (3/32")
- 1 1-1/4 Wrench
- 1 1-3/8 Wrench

### *Push Button*

- 1 Allen Wrench (3/32")
- 1 15/16 Wrench
- 1 #8 Spanner Bit/Wrench

### *Wrist Action*

- 1 Allen Wrench (3/32")
- 1 1-3/8 Wrench

## Metering Cartridge:

*Note: Each metering cartridge is preset for approximately 10 seconds at the factory. They may be reset at installation. If water pressure varies, the cycle time will also vary. T&S advises to flush the supply lines prior to new faucet or replacement part installation.*

## Adjustment

### 1. Handle/Cap Removal

*Foot Pedal:* Unscrew screw cap (F2) from assembly. Remove F3 and F4 (and F5 if installed).

*Push Button:* Unscrew P3 from cap. Remove P4.

*Wrist Action:* Remove W2. Various handle assemblies are available. Majority of handle assemblies contain handle, screw, and index tab.

### 2. Timing Adjustment

1/8 turn increments  
clockwise for longer  
flow time



1/8 turn increments  
counter-clockwise for  
shorter flow time



Refer to exploded view for metering screw location.

Depress stem (with P5 insulator installed) fully to verify timing and make adjustments if necessary after valve has closed.

### 3. Reinstall handle assembly

## Cartridge Replacement:

1. Turn off water supply.
2. Perform step 1 in adjustment section.
3. Unscrew F6 (foot pedal), P8 (push button), or W4 (wrist action) from faucet body.

4. Unscrew C1 from F6, P8, or W4.

Note: Cartridge may have unscrewed from bonnet during bonnet removal.

5. Discard old C1 and its attached seals.

6. Screw new C1 into bonnet (F6, P8, or W4).

7. Verify that external seals are intact (C3, C4, C5). It is helpful to push C3 into bonnet until it bottoms out. This will insure proper sealing with the faucet body.

8. Screw assembly securely (30 lbs minimum) into faucet body.

9. Turn on water supply and check for leaks.

10. Reinstall handle assembly.

*Caution: If faucet has separate hot and cold controls, make certain that hot water shuts off before cold to avoid scalding.*

*Wrist Action Note: Install wrist action handles in an orientation that allows 1/4 turn (full activation of metering cartridge). Whenever possible, install handles to prevent valves from being intentionally stuck in open position when handle is rotated beyond intended 90° (1/4 turn) activation.*

## RELATED T&S BRASS PRODUCT LINE

---

### T&S BRASS AND BRONZE WORKS, INC.

A firm commitment to application-engineered plumbing products

2 Saddleback Cove, P.O. Box 1088,  
Travelers Rest, SC 29690

*Phone:* (864) 834-4102

*Fax:* (864) 834-3518

*E-mail:* [tsbrass@tsbrass.com](mailto:tsbrass@tsbrass.com)

T & S Brass-Europe  
'De Veenhoeve'

Oude Nieuwveenseweg 84

2441 CW Nieuwveen

The Netherlands



RELIABILITY BUILT IN™