



Limited One Year Warranty

T&S warrants to the original purchaser (other than for purposes of resale) that such product is free from defects in material and workmanship for a period of one (1) year from the date of purchase. During this one-year warranty period, if the product is found to be defective, T&S shall, at its options, repair and/or replace it. To obtain warranty service, products must be returned to...

T&S Brass and Bronze Works, Inc.
Attn: Warranty Repair Department
2 Saddleback Cove
Travelers Rest, SC 29690

Shipping, freight, insurance, and other transportation charges of the product to T&S and the return of repaired or replaced product to the purchaser are the responsibility of the purchaser. Repair and/or replacement shall be made within a reasonable time after receipt by T&S of the returned product. This warranty does not cover items which have received secondary finishing or have been altered or modified after purchase, or for defects caused by physical abuse to or misuse of the product, or shipment of the products.

Any express warranty not provided herein, and any remedy for Breach of Contract which might arise, is hereby excluded and disclaimed. Any implied warranties of merchantability or fitness for a particular purpose are limited to one year in duration. Under no circumstances shall T&S be liable for loss of use or any special consequential costs, expenses or damages.

Some states do not allow limitations on how long and implied warranty lasts or the exclusion or limitation of incidental or consequential damages, so the above limitations or exclusions may not apply to you. Specific rights under this warranty and other rights vary from state to state.

P/N: 098-009779-45 Rev.4
Date: 09-07-04
Drawn: TEH
Checked: MVW 09-08-04
Approved: MVW 09-08-04

Installation and Maintenance Instructions



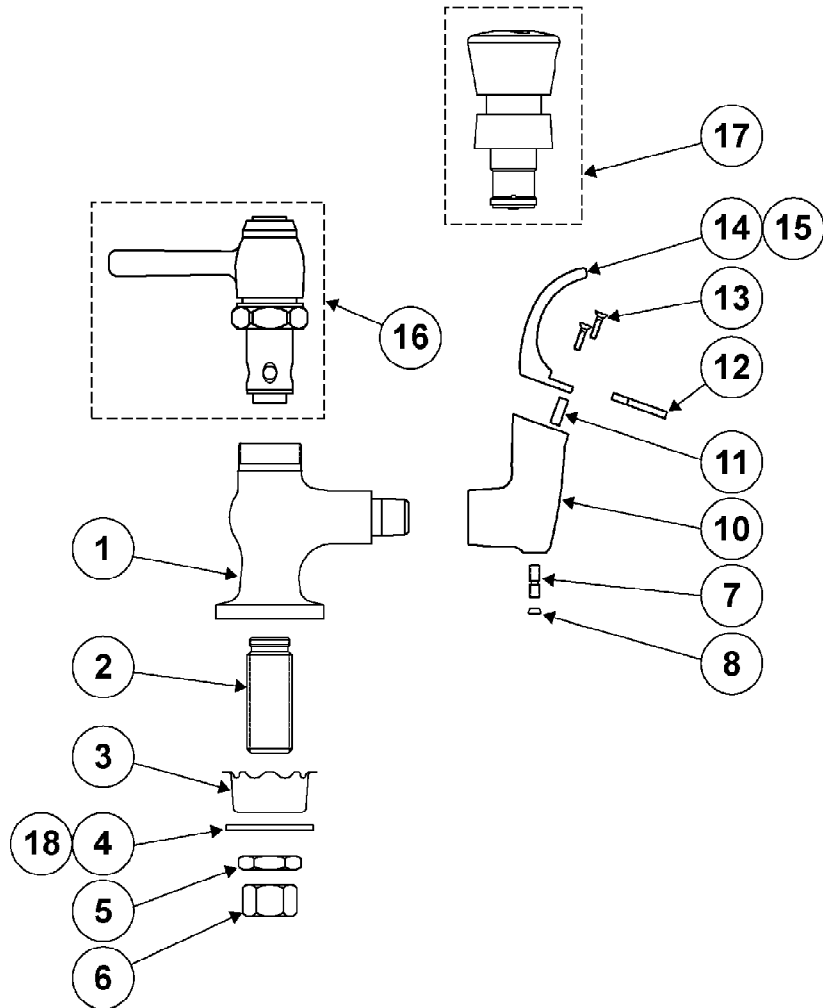
BUBBLER FAUCET B-2360-SERIES

**Deutsch: Installations- und
Wartungsanleitungen**

**Español: la Instalación y las
Instrucciones de
Mantenimiento**

**Français: les Instructions
d'Installation et
d'Entretien**

Exploded View



* Some items are listed for instructional purposes and may not be sold as separate parts.

Part Number Guide

Bubbler Assembly

1	Body Faucet	*
2	Shank	*
3	Washer, Rosette	001000-45
4	Washer	000999-45
5	Locknut	002954-45
6	Nut, Coupling	000958-20
7	Adjustment Screw, Flow Control	012697-45
8	Seal, Stem Bottom	012596-45
10	Spout, Bubbler	012680-40
11	Flow Straightener	009594-45
12	Holder, Spout Guard	009596-40
13	Screw, Spout Guard	009598-45
14	Spout Guard, Flex	009595-45
15	Spout Guard, Brass	011299-40
16	Asm, Fast-Self-Closing Valve	009610-40
17	Asm, Slow-Self-Closing Valve	002880-40
18	Washer, Vandal Resistant	012701-20

General Instructions

Installation:

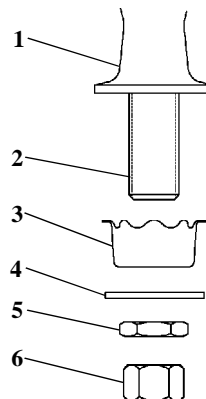
1. Turn off water supply and drain lines. Drill a hole approximately 7/8" (22mm) diameter in sink or countertop where you are installing no. 1.

2. Loosen no. 6 with a wrench and remove no. 6, no. 5, no. 4, and no. 3 from threaded end of no. 2.

3. Place no. 2 through hole in sink or countertop. Reinstall no. 3, no. 4, no. 5 and no. 6 onto no. 2. Tighten no. 5 against bottom of sink or countertop with a wrench.

4. Apply teflon tape or pipe joint compound to threaded end of no. 2, connect cold water supply inlet to no. 2. Or use no. 6 if compression fitting is used.

5. Turn on water supply and check for leaks.

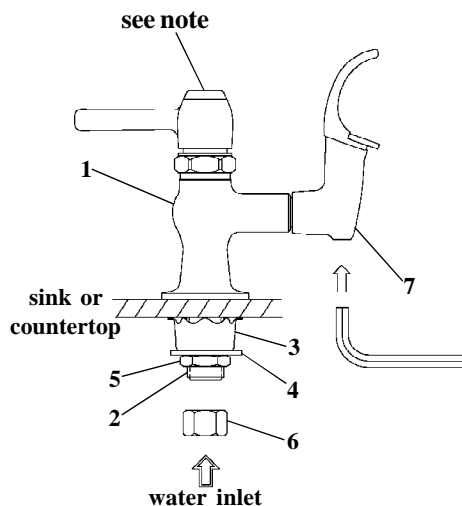


Adjustment:

Volume control

6. To adjust height of water flow, rotate no. 7 on bottom side of no. 10 using a 3/32" hex wrench (do not remove).

7. To raise height of water, turn no. 7 counterclockwise. To lower flow of water, turn no. 7 clockwise.



Note: The valve index is vandal-resistant. A #8 spanner driver is required to service the valve assembly (available as T&S part no. BL-5707-05).

Instrucciones Generales

Instalación:

1. Cierre la fuente de agua y desagüe las tuberías. Perfore un hueco de aproximadamente 7/8" (22mm) de diámetro a través del lavatorio o el mostrador donde la parte No.1 será instalada.

2. Con una llave afloje y remueva las partes No.6, No.5, No.4, y No.3 del lado con rosca de la parte No.2.

3. Coloque la parte No.2 a través del hueco en el lavatorio o el mostrador. Instale de nuevo las partes No.3, No.4, No.5 y No.6 en la parte No.2. Apriete la parte No.5 contra la parte posterior del lavatorio o el mostrador con una llave.

4. Aplique cinta de Teflon o compuesto de coyuntura al lado con rosca de la parte No.2, conecte el surtido de agua fría a la parte No.2 o utilice la parte No.6 si se esta utilizando una unión de comprensión.

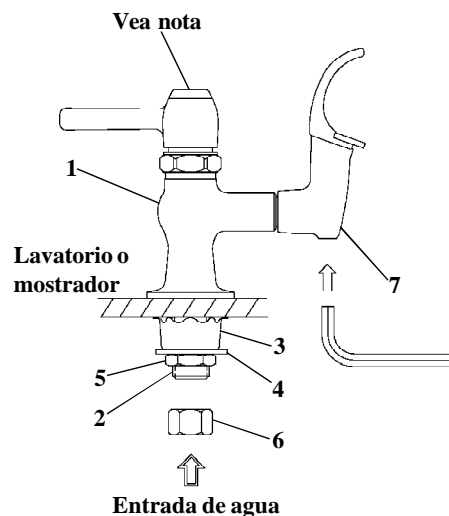
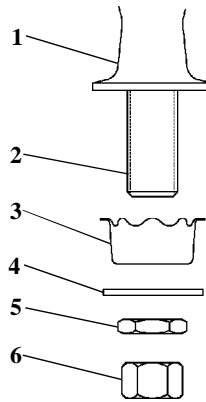
5. Abra la fuente de agua e inspeccione por filtraciones.

Ajustamiento:

Control de Volumen

6. Para ajustar la altura del chorro, gire la parte No.7 en el lado posterior de la parte No.10 utilizando una llave hexagonal de 3/32" (no remueva).

7. Para aumentar el chorro de agua, gire la parte No.7 hacia la izquierda. Para disminuir el chorro de agua, gire la parte No.7 hacia la derecha.



Nota: El índice de la válvula es resistente contra vandalismo. Para mantenimiento del ensamblaje de la válvula se requiere una llave spanner #8 (disponible como una parte de T&S No.BL-5707-05).

Instructions Générales

L'Installation:

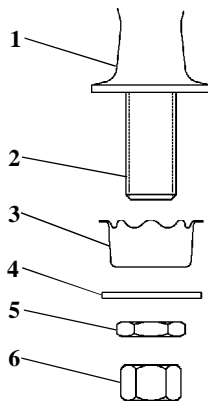
1. Fermer la réserve de l'eau et égoutter la tuyauterie. Percer un trou avec un diamètre de 7/8 pouce (22mm) dans le comptoir ou l'évier où vous aller installer N°.1.

2. Deserrer N°.6 avec une clef anglaise et enlever N°.6, N°.5, N°.4 et N°.3 de l'extrémité avec les filets de N°.2.

3. Insérer N°.2 à travers le trou dans l'évier ou le comptoir. Réinstaller N°.3, N°.4, N°.5 et N°.6 sur N°.2. Serrer N°.5 contre le fond de l'évier ou le comptoir avec une clef anglaise.

4. Appliquer le ruban en Téflon ou le composé pour les tuyaux à l'extrémité avec les filets de N°.2, brancher la prise d'offre froide d'eau à N°.2. Ou utiliser N°.6 si l'ajustage de précision de compactage est utilisé.

5. Recommencer l'eau et vérifier s'il y a des fuites.

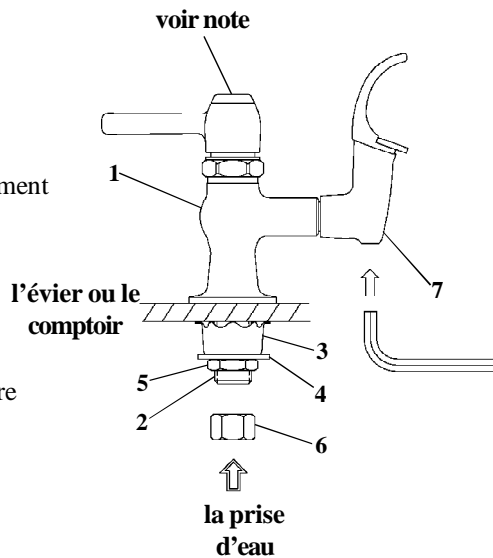


Réglage:

Commande de volume

6. Pour ajuster la taille de l'écoulement de l'eau, tournez N°. 7 du côté inférieur de No.10 à l'aide d'une clef à six pans de 3/32" (ne retirer pas).

7. Pour soulever la taille de l'eau, tourner No.7 dans le sens contraire des aiguilles d'une montre. Pour abaisser l'écoulement de l'eau, tourner No.7 dans le sens des aiguilles d'une montre.

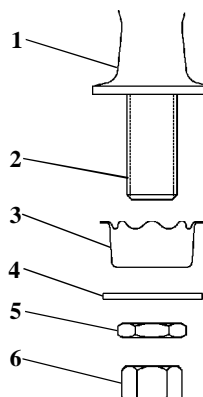


Noter L'incrément de valve est vandale résistant. Un gestionnaire de la clé #8 est requis d'entretenir le tube équipé de clapet (disponible comme numéro de partie T & S Brass BL-5705-05).

Allgemeine Anleitungen

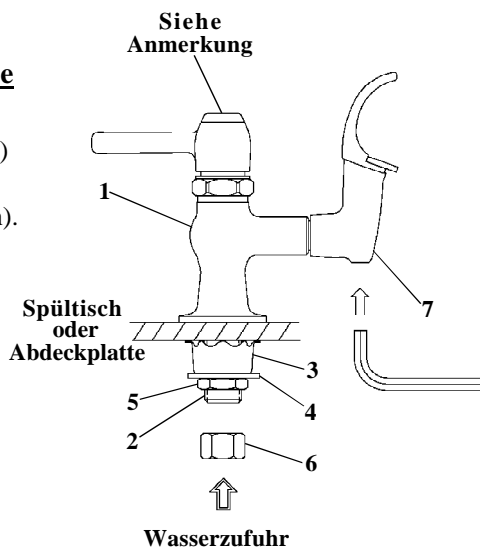
Installation:

1. Wasser absperren und Wasser aus der Leitung abfließen lassen. An der gewünschten Stelle eine Bohrung von 22 mm Durchmesser vornehmen.
2. Mit Hilfe eines Schraubenschlüssel Nr. 6 lösen und Nr. 6, Nr. 5, Nr. 4 und Nr. 3 von dem Gewindeende von Nr. 2 entfernen.
3. Nr. 2 in die Bohrung im Waschtisch oder in der Abdeckplatte einsetzen. Nr. 3, Nr. 4, Nr. 5 und Nr. 6 wieder auf Nr. 2 einschrauben. Dann, mit Hilfe eines Schraubenschlüssel Nr. 5 von an die Unterseite des Waschtisches (oder der Abdeckplatte) anziehen.
4. Teflonband oder Rohrdichtmasse auf das Gewinde von Nr. 2 auftragen. Kaltwasserzufuhr mit Nr. 2 verbinden.
5. Wasserzufuhr andrehen und auf Dichtigkeit prüfen.



Justierung der Wassermenge

6. Um die Wasserhöhe zu justieren, Nr. 7 (an der Unterseite von Nr. 10) mit Hilfe eines Imbuss Schlüssel (Größe 3/32") lösen (nicht entfernen).
7. Wird Nr. 7 nach links gedreht, so steigt der Wasserstrahl. Dreht man Nr. 7 nach rechts, so nimmt die Höhe des Wasserstrahls ab.



Anmerkung: Nach Index ist das Ventil besonders robust. Für die Wartung der Ventileinheit ist ein Nr. 8 Schraubenschlüssel erforderlich (Über T&S unter Teilnummer BL-5707-05 erhältlich).

T&S BRASS AND BRONZE WORKS, INC.

A firm commitment to application-engineered plumbing products

2 Saddleback Cove, P.O. Box 1088,
Travelers Rest, SC 29690

Phone: (864) 834-4102
Fax: (864) 834-3518

E-mail: tsbrass@tsbrass.com

T & S Brass-Europe
'De Veenhoeve'
Oude Nieuwveenseweg 84
2441 CW Nieuwveen
The Netherlands



RELIABILITY BUILT IN®



Limited One Year Warranty

T&S warrants to the original purchaser (other than for purposes of resale) that such product is free from defects in material and workmanship for a period of one (1) year from the date of purchase. During this one-year warranty period, if the product is found to be defective, T&S shall, at its options, repair and/or replace it. To obtain warranty service, products must be returned to...

*T&S Brass and Bronze Works, Inc.
Attn: Warranty Repair Department
2 Saddleback Cove
Travelers Rest, SC 29690*

Shipping, freight, insurance, and other transportation charges of the product to T&S and the return of repaired or replaced product to the purchaser are the responsibility of the purchaser. Repair and/or replacement shall be made within a reasonable time after receipt by T&S of the returned product. This warranty does not cover items which have received secondary finishing or have been altered or modified after purchase, or for defects caused by physical abuse to or misuse of the product, or shipment of the products.

Any express warranty not provided herein, and any remedy for Breach of Contract which might arise, is hereby excluded and disclaimed. Any implied warranties of merchantability or fitness for a particular purpose are limited to one year in duration. Under no circumstances shall T&S be liable for loss of use or any special consequential costs, expenses or damages.

Some states do not allow limitations on how long an implied warranty lasts or the exclusion or limitation of incidental or consequential damages, so the above limitations or exclusions may not apply to you. Specific rights under this warranty and other rights vary from state to state.

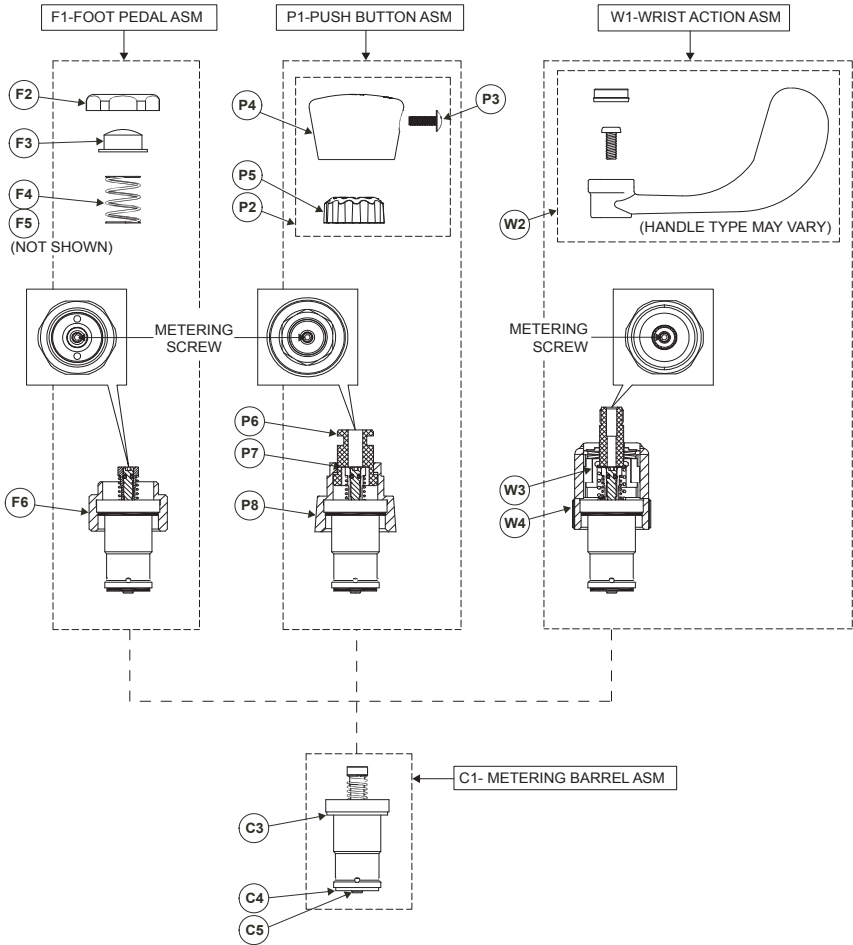
P/N: 098-014733-45 Rev.1
Date: 05-18-10
Drawn: TEH
Checked: GEF 09-13-10
Approved: JHB 09-13-10

Installation and Maintenance Instructions



METERING BARREL ASSEMBLY

Exploded View



Part Number Guide

Foot Pedal

F1	Asm, Floor Mounted Foot Pedal	011399-40
F2	Screw Cap, Foot Pedal	*
F3	Button, Foot Pedal	*
F4	Spring	*
F6	Bonnet, Foot Pedal	*
F1	Asm, Wall Mounted Foot Pedal	011406-40
F2	Screw Cap, Foot Pedal	*
F3	Button, Foot Pedal	*
F4	Spring	*
F5	Spring (011406-40 Asm Not Shown)	*
F6	Bonnet, Foot Pedal	*

Push Button

P1	Push Button Asm, Blank Valve	238AB
	Screw Cap, Foot Pedal	238AH
	Button, Foot Pedal	238AC
P2	Blank Cap Asm, Push Button	014193-40
	Hot Cap Asm, Push Button	014194-40
	Cold Cap Asm, Push Button	014195-45
P3	Screw Cap, Push Button	014145-45
P4	Blank Cap, Push Button	*
	Hot Cap, Push Button	*
	Cold Cap, Push Button	*
P5	Insulator, Push Button	*
P6	Guide Bushing, Push Button	*
P7	Kapton Washer (Not Shown)	*
P8	Bonnet, Push Button	*

Wrist Action

W1	Wrist Action Asm	012449-40
W2	Handle Asm (Various Options Available)	*
W3	Repair Kit, Wrist Action	012555-40
	Return Spring	*
	Kapton Washer	*
	Asm, Stem Cam	*
	Linear Cam	*
	Bellville Springs	*
	Stem Bushing	*
W2	Bonnett	*

Metering Barrel Assembly

C1	Metering Barrel Assembly	014152-40
C2	Seal Repair Kit	014152-40K
C3	Top Seal	*
C4	Bottom Seal	*
C5	Stem Seal	*

* Items not sold as separate parts; listed for instruction purposes only.

General Instructions

Tools Required:

Foot Pedal

- 1 Allen Wrench (3/32")
- 1 1-1/4 Wrench
- 1 1-3/8 Wrench

Push Button

- 1 Allen Wrench (3/32")
- 1 15/16 Wrench
- 1 #8 Spanner Bit/Wrench

Wrist Action

- 1 Allen Wrench (3/32")
- 1 1-3/8 Wrench

Metering Cartridge:

Note: Each metering cartridge is preset for approximately 10 seconds at the factory. They may be reset at installation. If water pressure varies, the cycle time will also vary. T&S advises to flush the supply lines prior to new faucet or replacement part installation.

Adjustment

1. Handle/Cap Removal

Foot Pedal: Unscrew screw cap (F2) from assembly. Remove F3 and F4 (and F5 if installed).

Push Button: Unscrew P3 from cap. Remove P4.

Wrist Action: Remove W2. Various handle assemblies are available. Majority of handle assemblies contain handle, screw, and index tab.

2. Timing Adjustment

1/8 turn increments
clockwise for longer
flow time



1/8 turn increments
counter-clockwise for
shorter flow time



Refer to exploded view for metering screw location.

Depress stem (with P5 insulator installed) fully to verify timing and make adjustments if necessary after valve has closed.

3. Reinstall handle assembly

Cartridge Replacement:

1. Turn off water supply.
2. Perform step 1 in adjustment section.
3. Unscrew F6 (foot pedal), P8 (push button), or W4 (wrist action) from faucet body.

4. Unscrew C1 from F6, P8, or W4.

Note: Cartridge may have unscrewed from bonnet during bonnet removal.

5. Discard old C1 and its attached seals.

6. Screw new C1 into bonnet (F6, P8, or W4).

7. Verify that external seals are intact (C3, C4, C5). It is helpful to push C3 into bonnet until it bottoms out. This will insure proper sealing with the faucet body.

8. Screw assembly securely (30 lbs minimum) into faucet body.

9. Turn on water supply and check for leaks.

10. Reinstall handle assembly.

Caution: If faucet has separate hot and cold controls, make certain that hot water shuts off before cold to avoid scalding.

Wrist Action Note: Install wrist action handles in an orientation that allows 1/4 turn (full activation of metering cartridge). Whenever possible, install handles to prevent valves from being intentionally stuck in open position when handle is rotated beyond intended 90° (1/4 turn) activation.

RELATED T&S BRASS PRODUCT LINE

T&S BRASS AND BRONZE WORKS, INC.

A firm commitment to application-engineered plumbing products

2 Saddleback Cove, P.O. Box 1088,
Travelers Rest, SC 29690

Phone: (864) 834-4102

Fax: (864) 834-3518

E-mail: tsbrass@tsbrass.com

T & S Brass-Europe
'De Veenhoeve'

Oude Nieuwveenseweg 84

2441 CW Nieuwveen

The Netherlands



RELIABILITY BUILT IN™