



T&S BRASS AND BRONZE WORKS, INC.

2 Saddleback Cove / P.O. Box 1088
Travelers Rest, SC 29690

Model No.

PG-2347-VH

Item No.

Travelers Rest, SC: 800-476-4103 • Simi Valley, CA: 800-423-0150 • Fax: 864-834-3518 • www.tsbrass.com

This Space for Architect/Engineer Approval

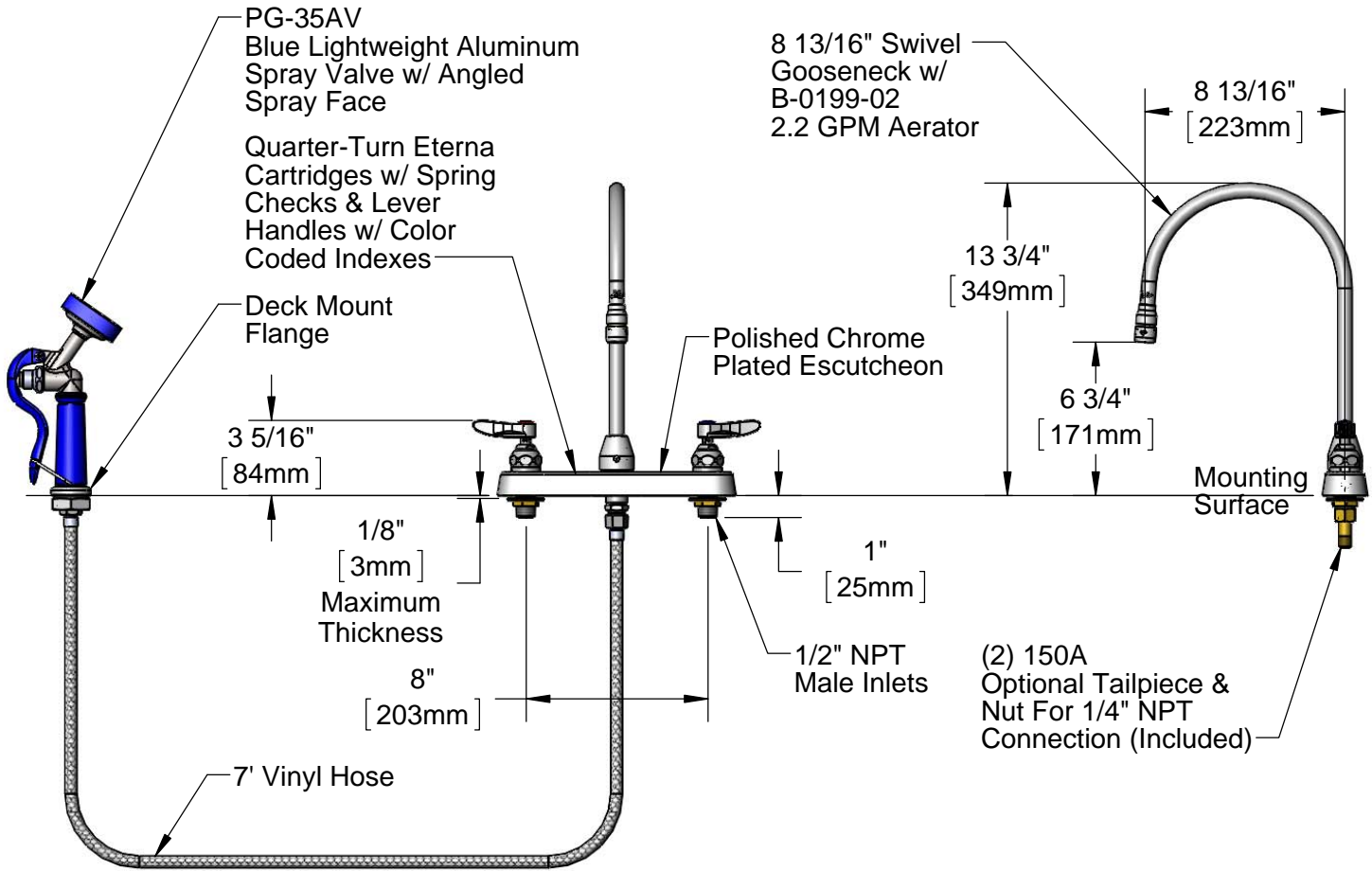
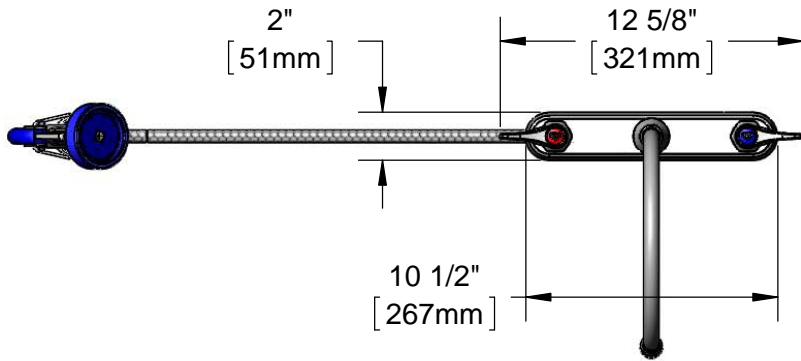
Job Name _____ Date _____

Model Specified _____ Quantity _____

Customer/Wholesaler _____

Contractor _____

Architect/Engineer _____



Rough-In Requirement:
Faucet: (3) Ø 1" [25mm] Mounting Holes
Deck Flange: (1) Ø 1 9/16" Mounting Hole

Product Specifications:
8" Deck Mount Mixing Faucet, Quarter-Turn Eterna Cartridges w/ Spring Checks, Lever Handles, Swivel Gooseneck w/ 2.2 GPM Aerator, 7' Vinyl Hose w/ Lightweight Aluminum Spray Valve, Deck Mount Flange & 1/2" NPT Male Inlets

Product Compliance:
ASME A112.18.1 / CSA B125.1
NSF 61 Exempt (Non-Potable)
EPA Act 2005 Non-Compliant (PRSV)



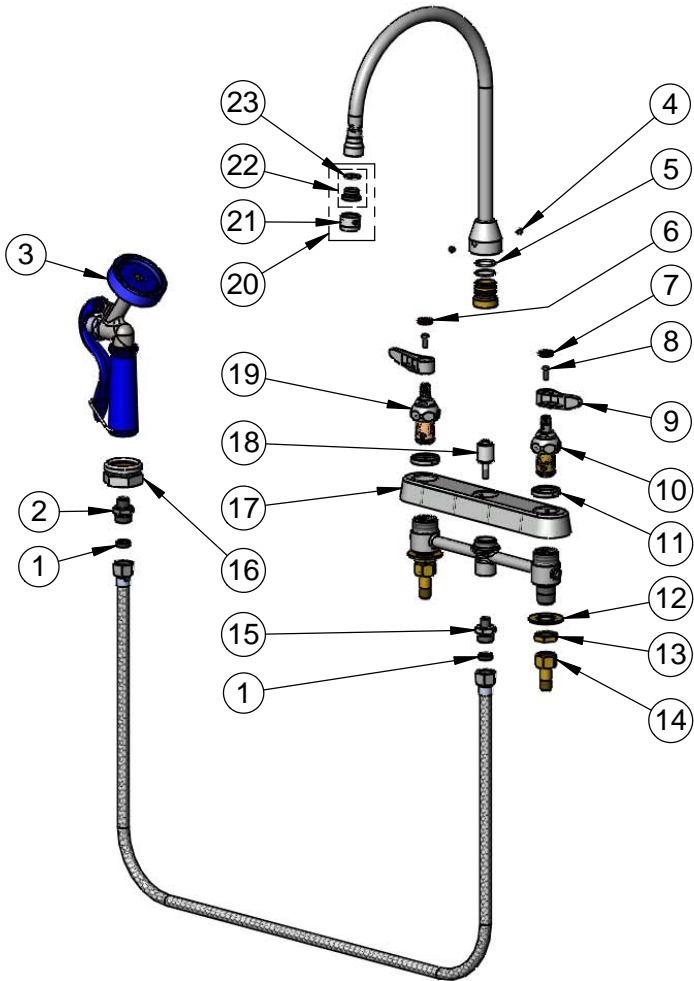
T&S BRASS AND BRONZE WORKS, INC.
 2 Saddleback Cove / P.O. Box 1088
 Travelers Rest, SC 29690

Model No.
PG-2347-VH

Item No.

Travelers Rest, SC: 800-476-4103 • Simi Valley, CA: 800-423-0150 • Fax: 864-834-3518 • www.tsbrass.com

| ITEM NO. | SALES NO. | DESCRIPTION |
|----------|-----------|--|
| 1 | 010476-45 | #27 Washer |
| 2 | 002584-25 | 1/4" NPT x 3/4-14 Male Adapter |
| 3 | PG-35AV | Blue Lightweight Aluminum Spray Valve w/ Angled Spray Face |
| 4 | 001486-45 | Diverter Cover Screw |
| 5 | 001069-45 | O-ring |
| 6 | 019364-45 | Red Button Index, Press-in |
| 7 | 019363-45 | Blue Button Index, Press-in |
| 8 | 000925-45 | Lab Handle Screw |
| 9 | 019361-45 | Lever Handle (New Style) |
| 10 | 019382-40 | Quarter-Turn New Style Eterna Cartridge w/ Spring Check, LTC |
| 11 | 019376-40 | Escutcheon Lock Nut |
| 12 | 000999-45 | Brass Lock Washer |
| 13 | 002954-45 | Shank Lock Nut |
| 14 | 150A | 1/4" NPT Tailpiece & Nut |
| 15 | 000542-25 | 1/8" NPT x 3/4-14 Male Adapter |
| 16 | B-KF | Protective Flange For Deck Mounted Spray Hoses |
| 17 | 019375-40 | B-1120 Eterna Workboard Escutcheon |
| 18 | 002338-45 | Valve Diverter Piston |
| 19 | 019383-40 | Quarter-Turn New Style Eterna Cartridge w/ Spring Check, RTC |
| 20 | B-0199-02 | 2.2 GPM Aerator, 3/8" NPSM Male |
| 21 | B-0199-01 | 2.2 GPM Aerator, 55/64"-27 UN Female |
| 22 | 044A | 3/8" to Aerator Adapter |
| 23 | 001043-45 | Washer |



Product Specifications:
 8" Deck Mount Mixing Faucet, Quarter-Turn Eterna Cartridges w/ Spring Checks, Lever Handles, Swivel Gooseneck w/ 2.2 GPM Aerator, 7' Vinyl Hose w/ Lightweight Aluminum Spray Valve, Deck Mount Flange & 1/2" NPT Male Inlets

Product Compliance:
 ASME A112.18.1 / CSA B125.1
 NSF 61 Exempt (Non-Potable)
 EPA Act 2005 Non-Compliant (PRSV)