



# T&S BRASS AND BRONZE WORKS, INC.

2 Saddleback Cove / P.O. Box 1088  
Travelers Rest, SC 29690

Model No.

**EC-3132**

Item No.

Travelers Rest, SC: 800-476-4103 • Simi Valley, CA: 800-423-0150 • Fax: 864-834-3518 • www.tsbrass.com



**ADA Compliant**



This Space for Architect/Engineer Approval

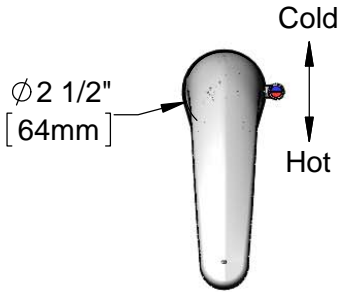
Job Name \_\_\_\_\_ Date \_\_\_\_\_

Model Specified \_\_\_\_\_ Quantity \_\_\_\_\_

Customer/Wholesaler \_\_\_\_\_

Contractor \_\_\_\_\_

Architect/Engineer \_\_\_\_\_



Internal Above Deck Electronics w/ Flow Control Setting Switches. Powered w/ 6 VDC Lithium Battery.

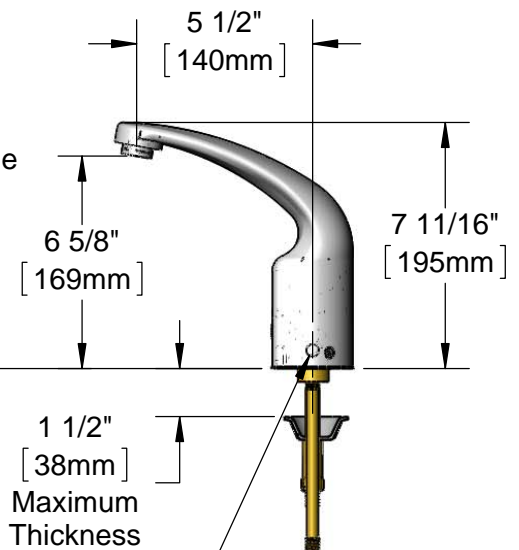
Removable Anti-Rotation Pin

$13/16$ " [21mm]

Cast Spout w/ 2.2 GPM [8.3 L/min] Vandal Resistant Aerator

Temperature Mixing Handle w/ Color Coded Index (Optional Plug Included to Replace Handle When Temperature is Preset)

Mounting Surface



Shown w/ Optional Plug Installed When Water Temperature is Preset (Included)

19" [483mm] Flexible Stainless Steel Supply Hoses

$1/2$ " NPSM Swivel Ends w/ Filter Washers

Check Valve Adapters w/  $3/8$ " Compression ( $9/16$ "-24 UN) Inlets

Optional 100-240 VAC Adapter w/ 144" [3658mm] Power Cord w/ 2 Terminal Plugs (Included)

### Rough-In Requirement:

$\phi 1 \frac{1}{4}$ " [32mm] Mounting Hole

$\phi 3/16$ " [5mm] Anti-Rotation Pin Hole (Optional)

### Product Specifications:

Chrome Plated Brass Above Deck Electronics Faucet, Single Hole Deck Mount, Cast Spout w/ 2.2 GPM VR Aerator, Point-of-Use Temperature Control, Battery or AC Adapter Powered, Stainless Steel Flexible Supply Lines &  $3/8$ " Compression Inlets

### Product Compliance:

ASME A112.18.1 / CSA B125.1  
NSF 61 - Section 9  
NSF 372 (Low Lead Content)  
ANSI A117.1 (ADA)  
UL 1951



# T&S BRASS AND BRONZE WORKS, INC.

2 Saddleback Cove / P.O. Box 1088  
Travelers Rest, SC 29690

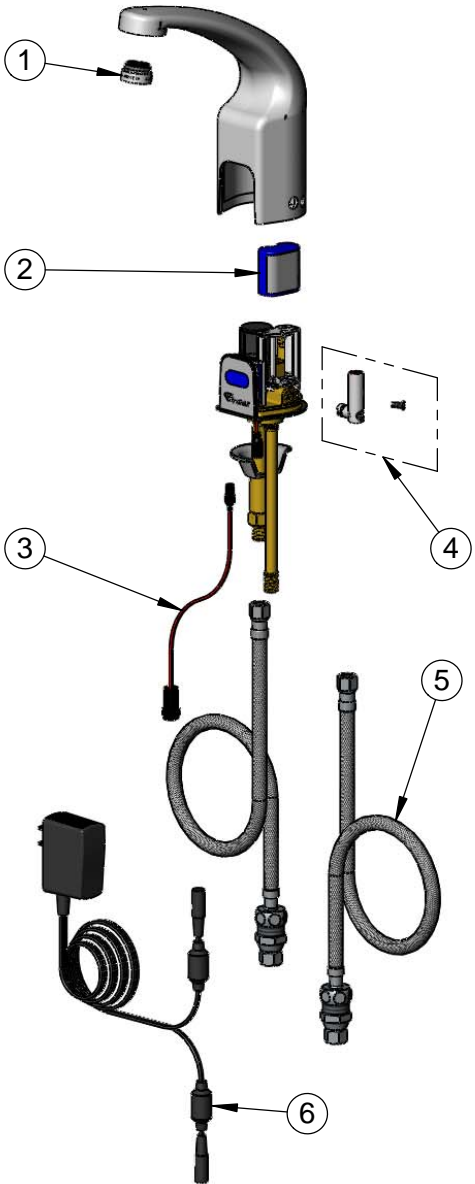
Model No.

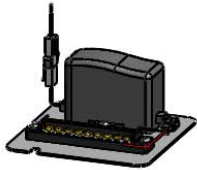
**EC-3132**

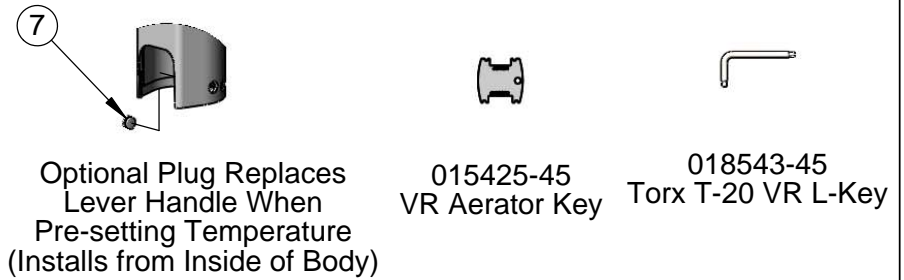
Item No.

Travelers Rest, SC: 800-476-4103 • Simi Valley, CA: 800-423-0150 • Fax: 864-834-3518 • www.tsbrass.com

ITEM NO.	SALES NO.	DESCRIPTION
1	016355-45	VR 2.2 GPM Aerator w/ Key
2	019087-45	6VDC Lithium Battery, CR-P2
3	019088-45	Auxiliary Power Connector Cable
4	019082-45	Lever Asm & Body Screw Kit w/ L-Key
5	018544-45	SS Flex Hose w/ Check Valve Adapter
6	5EF-0002	A/C Transformer
7	019086-45	Body Plug, Pre-Set Temperature




 A maximum of (8) ChekPoint faucets can be powered by EC-HARDWIRE ChekPoint Hardwire AC Transformer when connected using EC-ADEWIRE cables. (Both sold separately)



Flow Control Switches are Located Behind the Sensor. Remove Battery to Access Switches.

\* Switches are set to DEFAULT position:

- Auto Time Out = 15 seconds
- Shut Off Delay = 1 second
- Auto Flush = OFF

\* Available Water Flow Control Selections:

- Auto Time Out: 15 sec, 30 sec, 45 sec, 60 sec, 3 min, 20 min
- Shut Off Delay: 1 sec, 10 sec, 15 sec, 30 sec
- Auto Flush (30 Seconds After Every 12 Inactive Hours): ON or OFF

**Product Specifications:**

Chrome Plated Brass Above Deck Electronics Faucet, Single Hole Deck Mount, Cast Spout w/ 2.2 GPM VR Aerator, Point-of-Use Temperature Control, Battery or AC Adapter Powered, Stainless Steel Flexible Supply Lines & 3/8" Compression Inlets

**Product Compliance:**

ASME A112.18.1 / CSA B125.1  
NSF 61 - Section 9  
NSF 372 (Low Lead Content)  
ANSI A117.1 (ADA)  
UL 1951



# T&S BRASS AND BRONZE WORKS, INC.

2 Saddleback Cove / P.O. Box 1088  
Travelers Rest, SC 29690

Model No.

**EC-3132-4DP**

Item No.

Travelers Rest, SC: 800-476-4103 • Simi Valley, CA: 800-423-0150 • Fax: 864-834-3518 • www.tsbrass.com



**ADA Compliant**



This Space for Architect/Engineer Approval

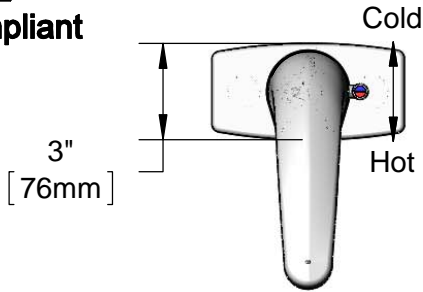
Job Name \_\_\_\_\_ Date \_\_\_\_\_

Model Specified \_\_\_\_\_ Quantity \_\_\_\_\_

Customer/Wholesaler \_\_\_\_\_

Contractor \_\_\_\_\_

Architect/Engineer \_\_\_\_\_



Internal Above Deck Electronics w/ Flow Control Setting Switches. Powered w/ 6 VDC Lithium Battery.

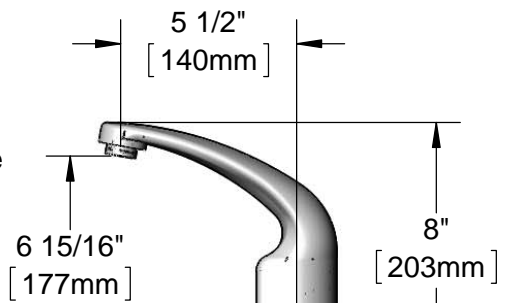
4" c/c Forged Brass Deck Plate

6" [152mm]

Cast Spout w/ 2.2 GPM [8.3 L/min] Vandal Resistant Aerator

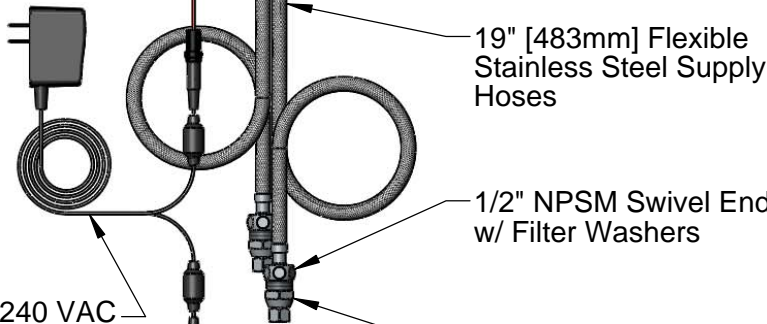
Temperature Mixing Handle w/ Color Coded Index (Optional Plug Included to Replace Handle When Temperature is Preset)

Mounting Surface



1 3/16" [30mm] Maximum Thickness

Shown w/ Optional Plug Installed When Water Temperature is Preset (Included)



19" [483mm] Flexible Stainless Steel Supply Hoses

1/2" NPSM Swivel Ends w/ Filter Washers

Check Valve Adapters w/ 3/8" Compression (9/16"-24 UN) Inlets

Optional 100-240 VAC Adapter w/ 144" [3658mm] Power Cord w/ 2 Terminal Plugs (Included)

### Rough-In Requirement:

Ø 1 1/4" [32mm] Center Hole  
(2) Ø 1 1/8" [29mm] Side Holes @ 4" [102mm] c/c

### Product Specifications:

Chrome Plated Brass Above Deck Electronics Faucet, Deck Mount, 4" c/c Deck Plate, Cast Spout w/ 2.2 GPM VR Aerator, Point-of-Use Temperature Control, Battery or AC Adapter Powered, Stainless Steel Flexible Supply Lines & 3/8" Compression Inlets

### Product Compliance:

ASME A112.18.1 / CSA B125.1  
NSF 61 - Section 9  
NSF 372 (Low Lead Content)  
ANSI A117.1 (ADA)  
UL 1951



# T&S BRASS AND BRONZE WORKS, INC.

2 Saddleback Cove / P.O. Box 1088  
Travelers Rest, SC 29690

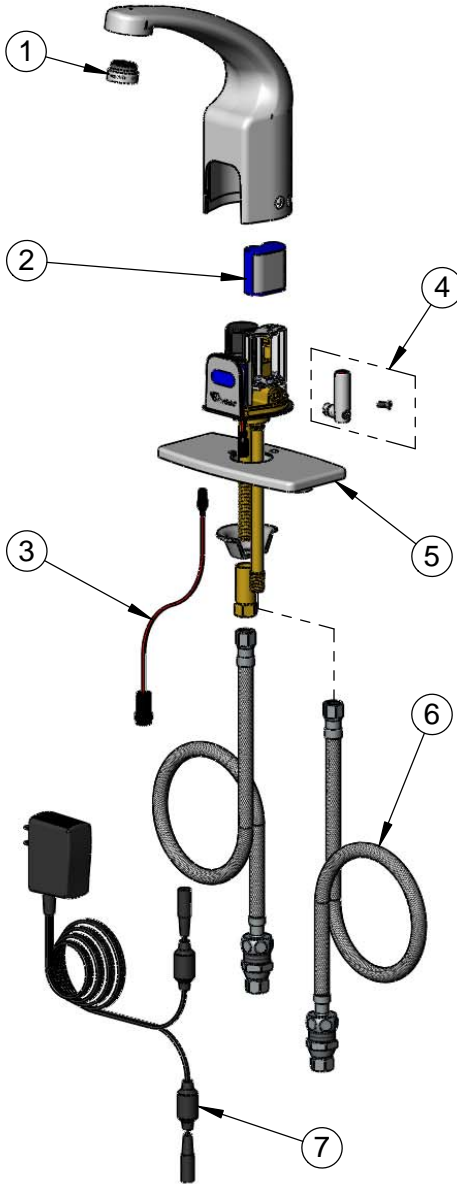
Model No.

**EC-3132-4DP**

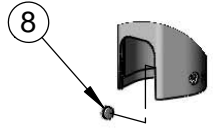
Item No.

Travelers Rest, SC: 800-476-4103 • Simi Valley, CA: 800-423-0150 • Fax: 864-834-3518 • www.tsbrass.com

ITEM NO.	SALES NO.	DESCRIPTION
1	016355-45	VR 2.2 GPM Aerator w/ Key
2	019087-45	6VDC Lithium Battery, CR-P2
3	019088-45	Auxiliary Power Connector Cable
4	019082-45	Lever Asm & Body Screw Kit w/ L-Key
5	013433-40	4" c/c Forged Deck Plate
6	018544-45	SS Flex Hose w/ Check Valve Adapter
7	5EF-0002	A/C Transformer
8	019086-45	Body Plug, Pre-Set Temperature



A maximum of (8) ChekPoint faucets can be powered by EC-HARDWIRE ChekPoint Hardwire AC Transformer when connected using EC-ADEWIRE cables. (Both sold separately)



Optional Plug Replaces Lever Handle When Pre-setting Temperature (Installs from Inside of Body)



015425-45  
VR Aerator Key



018543-45  
Torx T-20 VR L-Key

Flow Control Switches are Located Behind the Sensor. Remove Battery to Access Switches.

- \* Switches are set to DEFAULT position:
  - Auto Time Out = 15 seconds
  - Shut Off Delay = 1 second
  - Auto Flush = OFF

- \* Available Water Flow Control Selections:
  - Auto Time Out: 15 sec, 30 sec, 45 sec, 60 sec, 3 min, 20 min
  - Shut Off Delay: 1 sec, 10 sec, 15 sec, 30 sec
  - Auto Flush (30 Seconds After Every 12 Inactive Hours): ON or OFF

Product Specifications:  
 Chrome Plated Brass Above Deck Electronics Faucet, Deck Mount, 4" c/c Deck Plate, Cast Spout w/ 2.2 GPM VR Aerator, Point-of-Use Temperature Control, Battery or AC Adapter Powered, Stainless Steel Flexible Supply Lines & 3/8" Compression Inlets

Product Compliance:  
 ASME A112.18.1 / CSA B125.1  
 NSF 61 - Section 9  
 NSF 372 (Low Lead Content)  
 ANSI A117.1 (ADA)  
 UL 1951



# T&S BRASS AND BRONZE WORKS, INC.

2 Saddleback Cove / P.O. Box 1088  
Travelers Rest, SC 29690

Model No.

**EC-3132-8DP**

Item No.

Travelers Rest, SC: 800-476-4103 • Simi Valley, CA: 800-423-0150 • Fax: 864-834-3518 • www.tsbrass.com



**ADA Compliant**



This Space for Architect/Engineer Approval

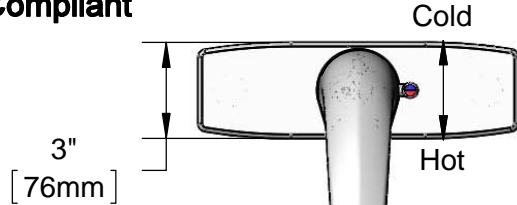
Job Name \_\_\_\_\_ Date \_\_\_\_\_

Model Specified \_\_\_\_\_ Quantity \_\_\_\_\_

Customer/Wholesaler \_\_\_\_\_

Contractor \_\_\_\_\_

Architect/Engineer \_\_\_\_\_

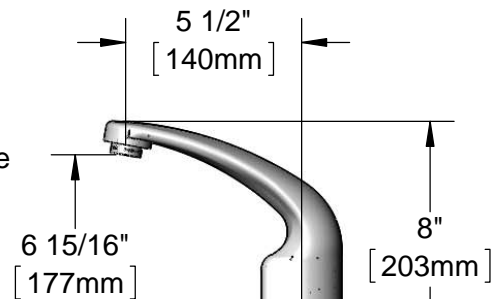


Internal Above Deck Electronics w/ Flow Control Setting Switches. Powered w/ 6 VDC Lithium Battery.

8" c/c Forged Brass Deck Plate

Cast Spout w/ 2.2 GPM [8.3 L/min] Vandal Resistant Aerator

Temperature Mixing Handle w/ Color Coded Index (Optional Plug Included to Replace Handle When Temperature is Preset)



Mounting Surface

1 3/16" [30mm] Maximum Thickness

Shown w/ Optional Plug Installed When Water Temperature is Preset (Included)

10" [254mm]

19" [483mm] Flexible Stainless Steel Supply Hoses

1/2" NPSM Swivel Ends w/ Filter Washers

Check Valve Adapters w/ 3/8" Compression (9/16"-24 UN) Inlets

Optional 100-240 VAC Adapter w/ 144" [3658mm] Power Cord w/ 2 Terminal Plugs (Included)

### Rough-In Requirement:

Ø 1 1/4" [32mm] Center Hole

(2) Ø 1 1/8" [29mm] Side Holes @ 8" [203mm] c/c

### Product Specifications:

Chrome Plated Brass Above Deck Electronics Faucet, Deck Mount, 8" c/c Deck Plate, Cast Spout w/ 2.2 GPM VR Aerator, Point-of-Use Temperature Control, Battery or AC Adapter Powered, Stainless Steel Flexible Supply Lines & 3/8" Compression Inlets

### Product Compliance:

ASME A112.18.1 / CSA B125.1  
NSF 61 - Section 9  
NSF 372 (Low Lead Content)  
ANSI A117.1 (ADA)  
UL 1951





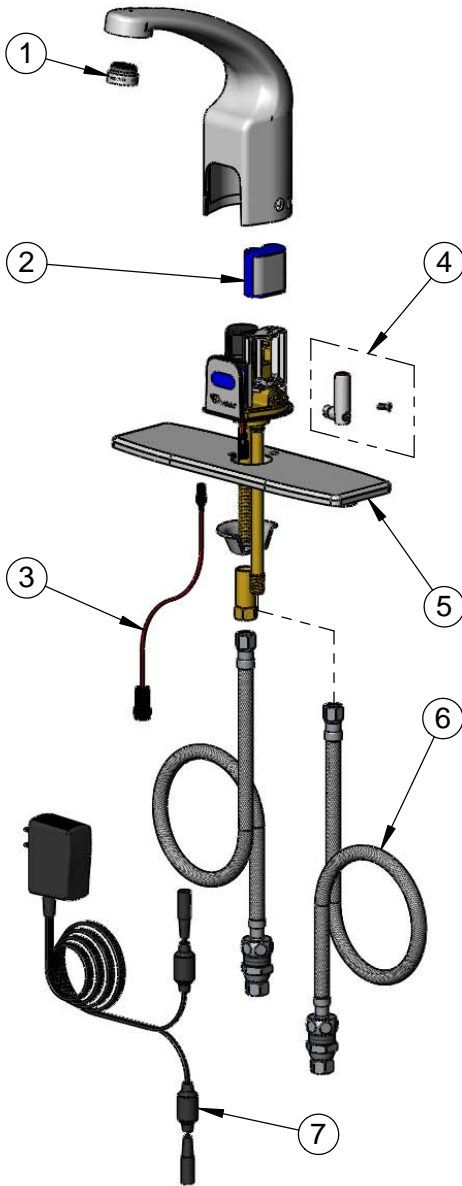
**T&S BRASS AND BRONZE WORKS, INC.**  
 2 Saddleback Cove / P.O. Box 1088  
 Travelers Rest, SC 29690

Model No.  
**EC-3132-8DP**

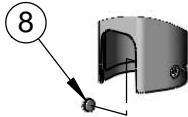
Item No.

Travelers Rest, SC: 800-476-4103 • Simi Valley, CA: 800-423-0150 • Fax: 864-834-3518 • www.tsbrass.com

ITEM NO.	SALES NO.	DESCRIPTION
1	016355-45	VR 2.2 GPM Aerator w/ Key
2	019087-45	6VDC Lithium Battery, CR-P2
3	019088-45	Auxiliary Power Connector Cable
4	019082-45	Lever Asm & Body Screw Kit w/ L-Key
5	013434-40	8" Forged Deck Plate
6	018544-45	SS Flex Hose w/ Check Valve Adapter
7	5EF-0002	A/C Transformer
8	019086-45	Body Plug, Pre-Set Temperature



A maximum of (8) ChekPoint faucets can be powered by EC-HARDWIRE ChekPoint Hardwire AC Transformer when connected using EC-ADEWIRE cables. (Both sold separately)



Optional Plug Replaces Lever Handle When Pre-setting Temperature (Installs from Inside of Body)

015425-45  
VR Aerator Key

018543-45  
Torx T-20 VR L-Key

Flow Control Switches are Located Behind the Sensor. Remove Battery to Access Switches.

- \* Switches are set to DEFAULT position:
  - Auto Time Out = 15 seconds
  - Shut Off Delay = 1 second
  - Auto Flush = OFF

- \* Available Water Flow Control Selections:
  - Auto Time Out: 15 sec, 30 sec, 45 sec, 60 sec, 3 min, 20 min
  - Shut Off Delay: 1 sec, 10 sec, 15 sec, 30 sec
  - Auto Flush (30 Seconds After Every 12 Inactive Hours): ON or OFF

Product Specifications:  
 Chrome Plated Brass Above Deck Electronics Faucet, Deck Mount, 8" c/c Deck Plate, Cast Spout w/ 2.2 GPM VR Aerator, Point-of-Use Temperature Control, Battery or AC Adapter Powered, Stainless Steel Flexible Supply Lines & 3/8" Compression Inlets

Product Compliance:  
 ASME A112.18.1 / CSA B125.1  
 NSF 61 - Section 9  
 NSF 372 (Low Lead Content)  
 ANSI A117.1 (ADA)  
 UL 1951



# T&S BRASS AND BRONZE WORKS, INC.

2 Saddleback Cove / P.O. Box 1088  
Travelers Rest, SC 29690

Model No.

**EC-3132-HG**

Item No.

Travelers Rest, SC: 800-476-4103 • Simi Valley, CA: 800-423-0150 • Fax: 864-834-3518 • www.tsbrass.com



**ADA Compliant**



This Space for Architect/Engineer Approval

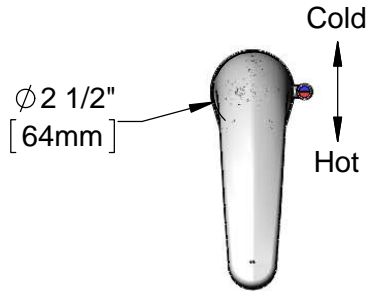
Job Name \_\_\_\_\_ Date \_\_\_\_\_

Model Specified \_\_\_\_\_ Quantity \_\_\_\_\_

Customer/Wholesaler \_\_\_\_\_

Contractor \_\_\_\_\_

Architect/Engineer \_\_\_\_\_



Ø 2 1/2"  
[64mm]

Cold  
↑  
↓  
Hot

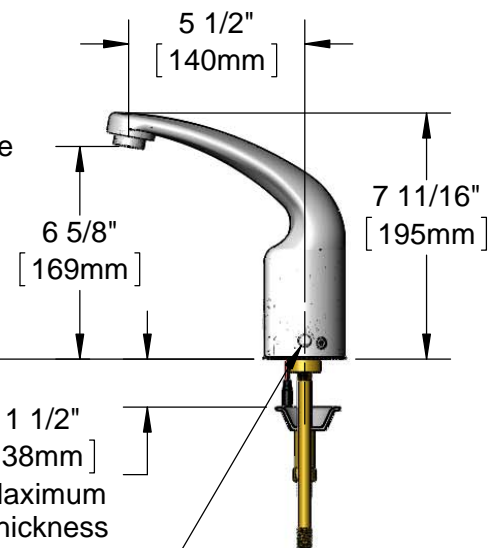
Internal Above Deck Electronics w/ Flow Control Setting Switches. Optional DC Power w/ 6 V Lithium Battery.

Removable Anti-Rotation Pin

Mounting Surface

Cast Spout w/ 2.2 GPM [8.3 L/min] Vandal Resistant Aerator

Temperature Mixing Handle w/ Color Coded Index (Optional Plug Included to Replace Handle When Temperature is Preset)



Shown w/ Optional Plug Installed When Water Temperature is Preset (Included)

13/16"  
[21mm]

Connection to Power Supply

19" [486mm] Flexible Stainless Steel Supply Hoses

1 1/2"  
[38mm] Maximum Thickness

Optional 100-240 VAC Adapter w/ 144" [3658mm] Power Cord w/ 2 Terminal Plugs (Included)

1/2" NPSM Swivel Ends w/ Filter Washers

Hydro-Generator Power Supply. No Battery or AC Adapter Needed to Supply Power to Faucet

Check Valve Adapters w/ 3/8" Compression (9/16"-24 UN) Inlets

Rough-In Requirement:  
Ø 1 1/4" [32mm] Mounting Hole  
Ø 3/16" [5mm] Anti-Rotation Pin Hole (Optional)

**Product Specifications:**

Chrome Plated Brass Above Deck Electronics Faucet, Single Hole Deck Mount, Cast Spout w/ 2.2 GPM VR Aerator, Point-of-Use Temperature Control, Hydro-Generator Powered, Stainless Steel Flexible Supply Hoses & 3/8" Compression Inlets

**Product Compliance:**

ASME A112.18.1 / CSA B125.1  
NSF 61 - Section 9  
NSF 372 (Low Lead Content)  
ANSI A117.1 (ADA)  
UL 1951



# T&S BRASS AND BRONZE WORKS, INC.

2 Saddleback Cove / P.O. Box 1088  
Travelers Rest, SC 29690

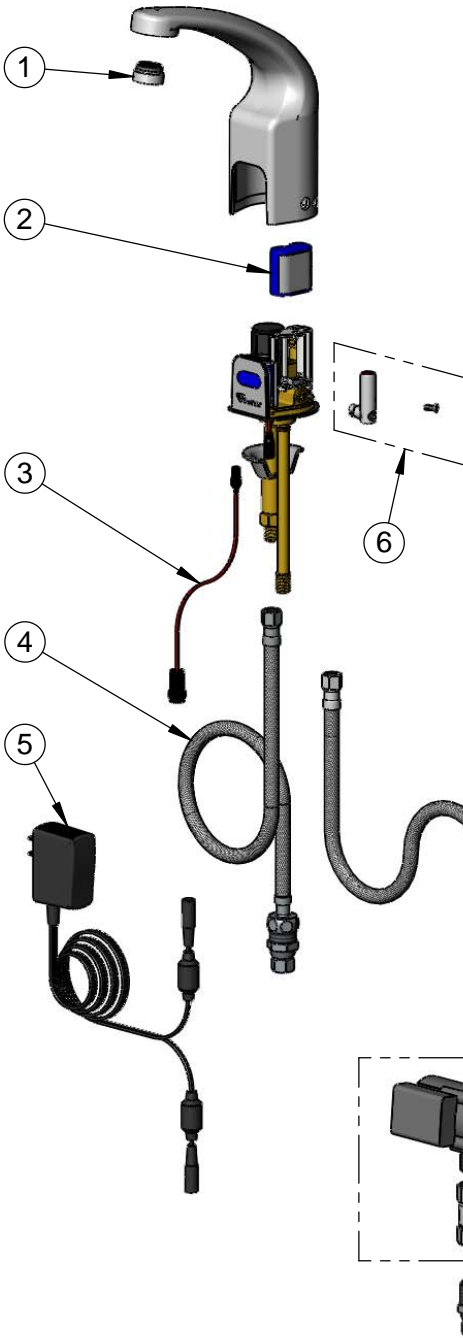
Model No.

**EC-3132-HG**

Item No.

Travelers Rest, SC: 800-476-4103 • Simi Valley, CA: 800-423-0150 • Fax: 864-834-3518 • www.tsbrass.com

ITEM NO.	SALES NO.	DESCRIPTION
1	016355-45	VR 2.2 GPM Aerator w/ Key
2	019087-45	6VDC Lithium Battery, CR-P2
3	019088-45	Auxiliary Power Connector Cable
4	018544-45	SS Flex Hose w/ Check Valve Adapter
5	5EF-0002	AC Transformer
6	019082-45	Lever Asm & Body Screw Kit w/ L-Key
7	EC-HYDROGEN	HydroGenerator Power Supply
8	017506-45	1/2" NPSM Swivel Coupling
9	019086-45	Body Plug, Pre-Set Temperature



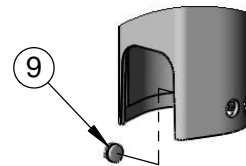
Flow Control Switches are Located Behind the Sensor.  
Remove Battery to Access Switches.

\* Switches are set to DEFAULT position:

- Auto Time Out = 15 seconds
- Shut Off Delay = 1 second
- Auto Flush = OFF

\* Available Water Flow Control Selections:

- Auto Time Out: 15 sec, 30 sec, 45 sec, 60 sec, 3 min, 20 min
- Shut Off Delay: 1 sec, 10 sec, 15 sec, 30 sec
- Auto Flush (30 Seconds After Every 12 Inactive Hours): ON or OFF



Optional Plug Replaces  
Lever Handle When  
Pre-setting Temperature  
(Installs from Inside of Body)



015425-45  
VR Aerator Key



018543-45  
Torx T-20 VR L-Key

**Product Specifications:**

Chrome Plated Brass Above Deck Electronics Faucet, Single Hole Deck Mount, Cast Spout w/ 2.2 GPM VR Aerator, Point-of-Use Temperature Control, Hydro-Generator Powered, Stainless Steel Flexible Supply Hoses & 3/8" Compression Inlets

**Product Compliance:**

ASME A112.18.1 / CSA B125.1  
NSF 61 - Section 9  
NSF 372 (Low Lead Content)  
ANSI A117.1 (ADA)  
UL 1951





# T&S BRASS AND BRONZE WORKS, INC.

2 Saddleback Cove / P.O. Box 1088  
Travelers Rest, SC 29690

Model No.

**EC-3132-LF22**

Item No.

Travelers Rest, SC: 800-476-4103 • Simi Valley, CA: 800-423-0150 • Fax: 864-834-3518 • www.tsbrass.com



**ADA Compliant**



This Space for Architect/Engineer Approval

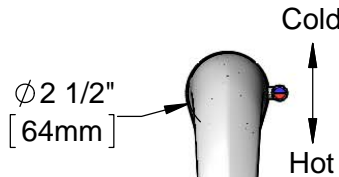
Job Name \_\_\_\_\_ Date \_\_\_\_\_

Model Specified \_\_\_\_\_ Quantity \_\_\_\_\_

Customer/Wholesaler \_\_\_\_\_

Contractor \_\_\_\_\_

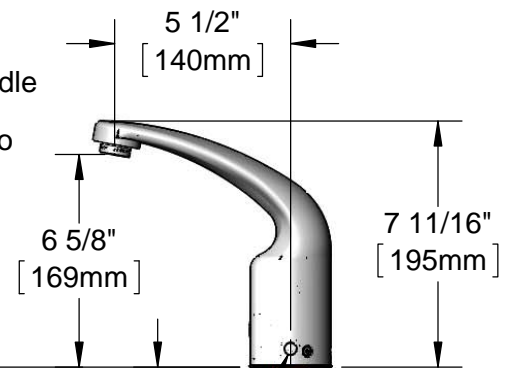
Architect/Engineer \_\_\_\_\_



Cast Spout w/  
B-0199-28  
2.2 GPM VR  
Laminar Flow Device

Internal Above Deck  
Electronics w/ Flow  
Control Setting Switches.  
Powered w/ 6 VDC  
Lithium Battery.

Temperature Mixing Handle  
w/ Color Coded Index  
(Optional Plug Included to  
Replace Handle When  
Temperature is Preset)



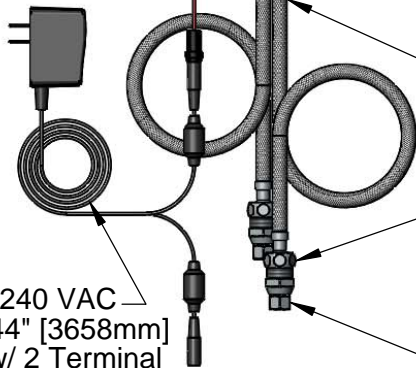
Mounting  
Surface

Removable  
Anti-Rotation Pin

13/16"  
[21mm]

1 1/2"  
[38mm]  
Maximum  
Thickness

Shown w/ Optional  
Plug Installed When  
Water Temperature  
is Preset (Included)



19" [483mm] Flexible  
Stainless Steel Supply  
Hoses

1/2" NPSM Swivel Ends  
w/ Filter Washers

Optional 100-240 VAC  
Adapter w/ 144" [3658mm]  
Power Cord w/ 2 Terminal  
Plugs (Included)

Check Valve Adapters  
w/ 3/8" Compression  
(9/16"-24 UN) Inlets

### Rough-In Requirement:

Ø 1 1/4" [32mm] Mounting Hole

Ø 3/16" [5mm] Anti-Rotation Pin Hole (Optional)

### Product Specifications:

Chrome Plated Brass Above Deck Electronics Faucet, Single Hole Deck Mount, Cast Spout w/ VR 2.2 GPM Laminar Flow Device, Point-of-Use Temperature Control, Battery or AC Adapter Powered, Flexible Stainless Steel Supply Hoses w/ 3/8" Compression Fittings

### Product Compliance:

ASME A112.18.1 / CSA B125.1  
NSF 61 - Section 9  
NSF 372 (Low Lead Content)  
ANSI A117.1 (ADA)  
UL 1951



# T&S BRASS AND BRONZE WORKS, INC.

2 Saddleback Cove / P.O. Box 1088  
Travelers Rest, SC 29690

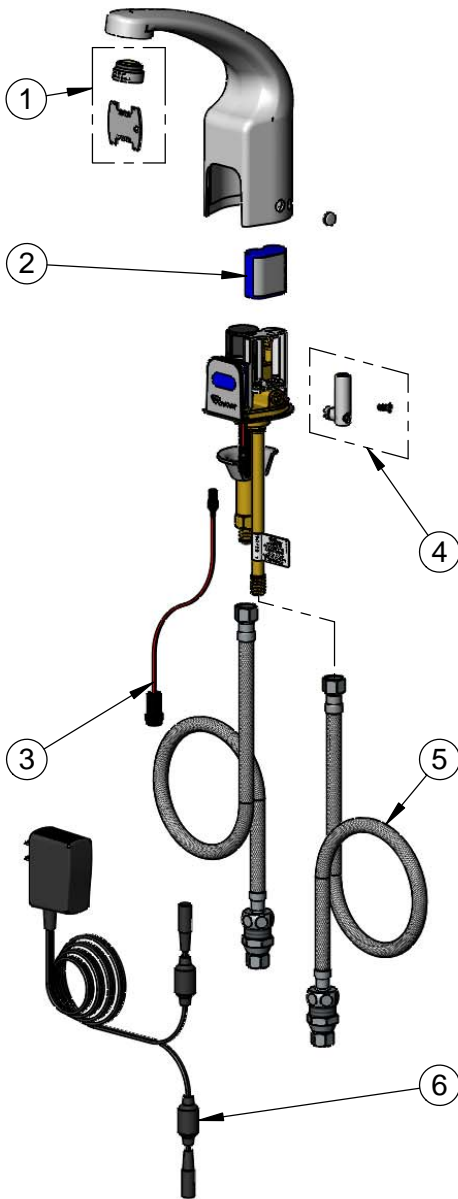
Model No.


**EC-3132-LF22**


Item No.


Travelers Rest, SC: 800-476-4103 • Simi Valley, CA: 800-423-0150 • Fax: 864-834-3518 • www.tsbrass.com


ITEM NO.	SALES NO.	DESCRIPTION
1	B-0199-28	VR 2.2 GPM Laminar Flow Device w/ Key
2	019087-45	6VDC Lithium Battery, CR-P2
3	019088-45	Auxiliary Power Connector Cable
4	019082-45	Lever & Body Screw Kit w/ L-Key
5	018544-45	Flexible Stainless Steel Supply Hose w/ Check Valve Adapter
6	5EF-0002	A/C Transformer
7	019086-45	Body Plug, Pre-Set Temperature




 A maximum of (8) ChekPoint faucets can be powered by EC-HARDWIRE ChekPoint Hardwire AC Transformer when connected using EC-ADEWIRE cables. (Both sold separately)


 Optional Plug Replaces Lever Handle When Pre-setting Temperature (Installs from Inside of Body)


 015425-45 VR Aerator Key


 018543-45 Torx T-20 VR L-Key

Flow Control Switches are Located Behind the Sensor. Remove Battery to Access Switches.

\* Switches are set to DEFAULT position:

- Auto Time Out = 15 seconds
- Shut Off Delay = 1 second
- Auto Flush = OFF

\* Available Water Flow Control Selections:

- Auto Time Out: 15 sec, 30 sec, 45 sec, 60 sec, 3 min, 20 min
- Shut Off Delay: 1 sec, 10 sec, 15 sec, 30 sec
- Auto Flush (30 Seconds After Every 12 Inactive Hours): ON or OFF

**Product Specifications:**

Chrome Plated Brass Above Deck Electronics Faucet, Single Hole Deck Mount, Cast Spout w/ VR 2.2 GPM Laminar Flow Device, Point-of-Use Temperature Control, Battery or AC Adapter Powered, Flexible Stainless Steel Supply Hoses w/ 3/8" Compression Fittings

**Product Compliance:**

ASME A112.18.1 / CSA B125.1  
NSF 61 - Section 9  
NSF 372 (Low Lead Content)  
ANSI A117.1 (ADA)  
UL 1951



**T&S BRASS AND BRONZE WORKS, INC.**  
 2 Saddleback Cove / P.O. Box 1088  
 Travelers Rest, SC 29690

Model No.  
**EC-3132-ST-VF05**

Item No.

Travelers Rest, SC: 800-476-4103 • Simi Valley, CA: 800-423-0150 • Fax: 864-834-3518 • www.tsbrass.com



**ADA Compliant**



Ø 2 1/2"  
 [64mm]



This Space for Architect/Engineer Approval

Job Name \_\_\_\_\_ Date \_\_\_\_\_

Model Specified \_\_\_\_\_ Quantity \_\_\_\_\_

Customer/Wholesaler \_\_\_\_\_

Contractor \_\_\_\_\_

Architect/Engineer \_\_\_\_\_

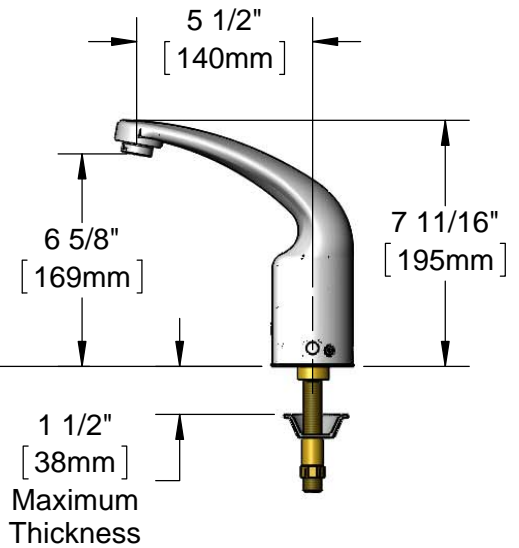
Internal Above Deck  
 Electronics w/ Flow  
 Control Setting Switches.  
 Powered w/ 6 VDC  
 Lithium Battery.

Cast Spout w/  
 0.5 GPM [1.9 L/min]  
 Vandal Resistant  
 Non-Aerated Spray  
 Device

Removable  
 Anti-Rotation Pin

Mounting  
 Surface

13/16"  
 [21mm]



19" [483mm] Flexible  
 Stainless Steel Supply Hose  
 w/ 1/2" NPSM Swivel End &  
 Filter Washer

Check Valve Adapter  
 w/ 3/8" Compression Inlet

Optional 100-240 VAC  
 Adapter w/ 144" [3658mm]  
 Power Cord w/ 2 Terminal  
 Plugs (Included)

**Rough-In Requirement:**

Ø 1 1/4" [32mm] Mounting Hole

Ø 3/16" [5mm] Anti-Rotation Pin Hole (Optional)

**Product Specifications:**

Chrome Plated Brass Above Deck Electronics Faucet, Single Hole  
 Single Temperature Deck Mount, Cast Spout w/ 0.5 GPM VR  
 Non-Aerated Spray Device, Battery or AC Adapter Powered,  
 Stainless Steel Flexible Supply Line & 3/8" Compression Inlet

**Product Compliance:**

ASME A112.18.1 / CSA B125.1  
 NSF 61 - Section 9  
 NSF 372 (Low Lead Content)  
 ANSI A117.1 (ADA)  
 UL 1951



# T&S BRASS AND BRONZE WORKS, INC.

2 Saddleback Cove / P.O. Box 1088  
Travelers Rest, SC 29690

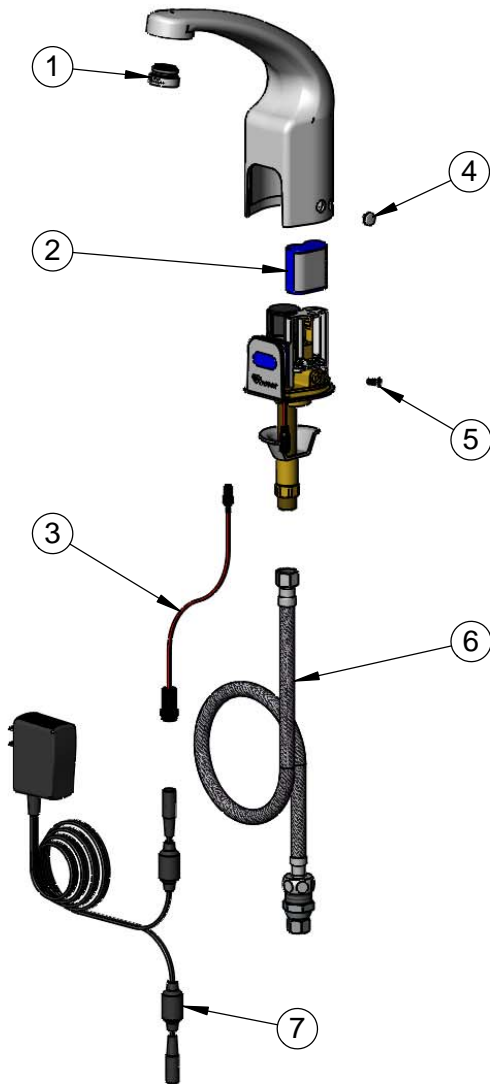
Model No.

**EC-3132-ST-VF05**

Item No.

Travelers Rest, SC: 800-476-4103 • Simi Valley, CA: 800-423-0150 • Fax: 864-834-3518 • www.tsbrass.com

ITEM NO.	SALES NO.	DESCRIPTION
1	B-0199-08-N05	0.5 GPM VR Non-Aerated Spray Device, 13/16-27 Male w/ Key
2	019087-45	6VDC Lithium Battery, CR-P2
3	019088-45	Auxiliary Power Connector Cable
4	019086-45	Body Plug, Pre-Set Temperature
5	019082-45	Body Screw w/ L-Key
6	018544-45	SS Flex Hose w/ Check Valve Adapter
7	5EF-0002	A/C Transformer



A maximum of (8) ChekPoint faucets can be powered by EC-HARDWIRE ChekPoint Hardwire AC Transformer when connected using EC-ADEWIRE cables. (Both sold separately)



015425-45  
VR Aerator Key



018543-45  
Torx T-20 VR L-Key

Flow Control Switches are Located Behind the Sensor.  
Remove Battery to Access Switches.

- \* Switches are set to DEFAULT position:
  - Auto Time Out = 15 seconds
  - Shut Off Delay = 1 second
  - Auto Flush = OFF

- \* Available Water Flow Control Selections:
  - Auto Time Out: 15 sec, 30 sec, 45 sec, 60 sec, 3 min, 20 min
  - Shut Off Delay: 1 sec, 10 sec, 15 sec, 30 sec
  - Auto Flush (30 Seconds After Every 12 Inactive Hours): ON or OFF

**Product Specifications:**

Chrome Plated Brass Above Deck Electronics Faucet, Single Hole  
Single Temperature Deck Mount, Cast Spout w/ 0.5 GPM VR  
Non-Aerated Spray Device, Battery or AC Adapter Powered,  
Stainless Steel Flexible Supply Line & 3/8" Compression Inlet

**Product Compliance:**

ASME A112.18.1 / CSA B125.1  
NSF 61 - Section 9  
NSF 372 (Low Lead Content)  
ANSI A117.1 (ADA)  
UL 1951



# T&S BRASS AND BRONZE WORKS, INC.

2 Saddleback Cove / P.O. Box 1088  
Travelers Rest, SC 29690

Model No.

**EC-3132-VF05**

Item No.

Travelers Rest, SC: 800-476-4103 • Simi Valley, CA: 800-423-0150 • Fax: 864-834-3518 • www.tsbrass.com



**ADA Compliant**



This Space for Architect/Engineer Approval

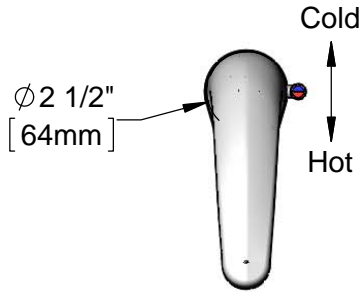
Job Name \_\_\_\_\_ Date \_\_\_\_\_

Model Specified \_\_\_\_\_ Quantity \_\_\_\_\_

Customer/Wholesaler \_\_\_\_\_

Contractor \_\_\_\_\_

Architect/Engineer \_\_\_\_\_



Cast Spout w/  
VR 0.5 GPM Non-Aerated  
Spray Device

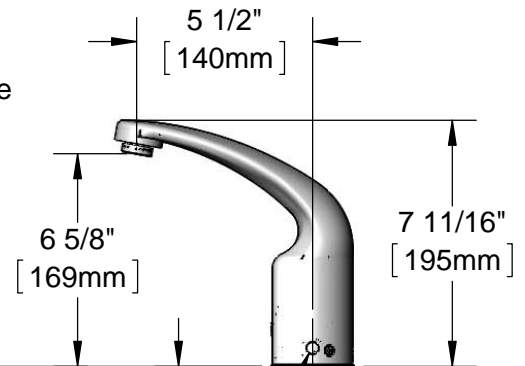
Internal Above Deck  
Electronics w/ Flow  
Control Setting Switches.  
Powered w/ 6 VDC  
Lithium Battery.

Removable  
Anti-Rotation Pin

13/16"  
[21mm]

Temperature Mixing Handle  
w/ Color Coded Index  
(Optional Plug Included to  
Replace Handle When  
Temperature is Preset)

Mounting  
Surface



1 1/2"  
[38mm]  
Maximum  
Thickness

Shown w/ Optional  
Plug Installed When  
Water Temperature  
is Preset (Included)

19" [483mm] Flexible  
Stainless Steel Supply  
Hoses

1/2" NPSM Swivel Ends  
w/ Filter Washers

Check Valve Adapters  
w/ 3/8" Compression  
(9/16"-24 UN) Inlets

Optional 100-240 VAC  
Adapter w/ 144" [3658mm]  
Power Cord w/ 2 Terminal  
Plugs (Included)

### Rough-In Requirement:

Ø 1 1/4" [32mm] Mounting Hole

Ø 3/16" [5mm] Anti-Rotation Pin Hole (Optional)

### Product Specifications:

Chrome Plated Brass Above Deck Electronics Faucet, Single Hole Deck Mount, Cast Spout w/ VR 0.5 GPM Non-Aerated Spray Device, Point-of-Use Temperature Control, Battery or AC Adapter Powered, Flexible Stainless Steel Supply Hoses w/ 3/8" Compression Fittings

### Product Compliance:

ASME A112.18.1 / CSA B125.1  
NSF 61 - Section 9  
NSF 372 (Low Lead Content)  
ANSI A117.1 (ADA)  
UL 1951





# T&S BRASS AND BRONZE WORKS, INC.

2 Saddleback Cove / P.O. Box 1088  
Travelers Rest, SC 29690

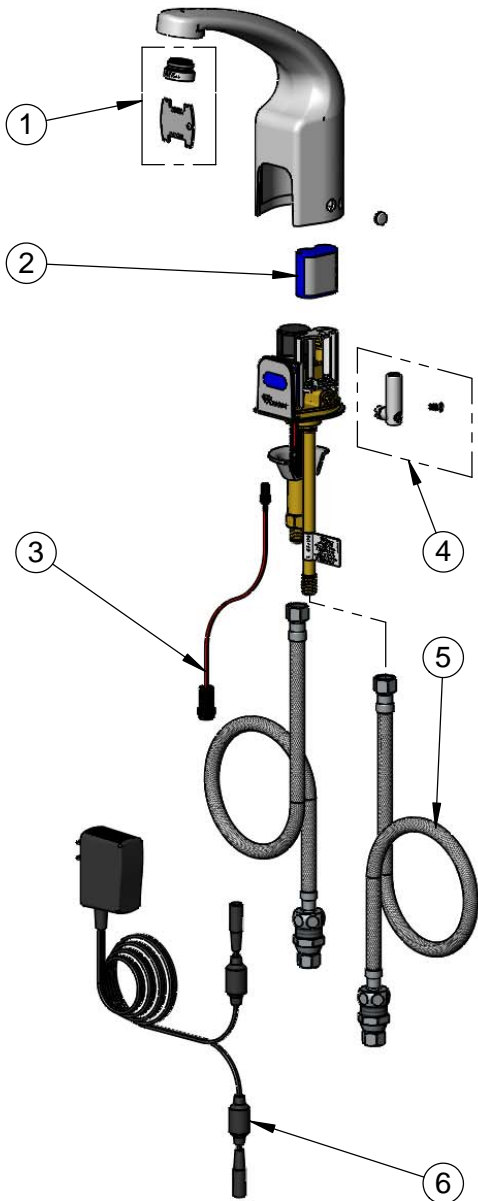
Model No.

**EC-3132-VF05**

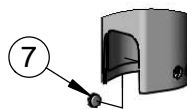
Item No.

Travelers Rest, SC: 800-476-4103 • Simi Valley, CA: 800-423-0150 • Fax: 864-834-3518 • www.tsbrass.com

ITEM NO.	SALES NO.	DESCRIPTION
1	B-0199-08-N05	VR 0.5 GPM Non-Aerated Spray Device w/ Key
2	019087-45	6VDC Lithium Battery, CR-P2
3	019088-45	Auxiliary Power Connector Cable
4	019082-45	Lever & Body Screw Kit w/ L-Key
5	018544-45	Flexible Stainless Steel Hose w/ Check Valve Adapter
6	5EF-0002	A/C Transformer
7	019086-45	Body Plug, Pre-Set Temperature



A maximum of (8) ChekPoint faucets can be powered by EC-HARDWIRE ChekPoint Hardwire AC Transformer when connected using EC-ADEWIRE cables. (Both sold separately)



Optional Plug Replaces Lever Handle When Pre-setting Temperature (Installs from Inside of Body)



015425-45  
VR Aerator Key



018543-45  
Torx T-20 VR L-Key

Flow Control Switches are Located Behind the Sensor. Remove Battery to Access Switches.

\* Switches are set to DEFAULT position:

- Auto Time Out = 15 seconds
- Shut Off Delay = 1 second
- Auto Flush = OFF

\* Available Water Flow Control Selections:

- Auto Time Out: 15 sec, 30 sec, 45 sec, 60 sec, 3 min, 20 min
- Shut Off Delay: 1 sec, 10 sec, 15 sec, 30 sec
- Auto Flush (30 Seconds After Every 12 Inactive Hours): ON or OFF

**Product Specifications:**

Chrome Plated Brass Above Deck Electronics Faucet, Single Hole Deck Mount, Cast Spout w/ VR 0.5 GPM Non-Aerated Spray Device, Point-of-Use Temperature Control, Battery or AC Adapter Powered, Flexible Stainless Steel Supply Hoses w/ 3/8" Compression Fittings

**Product Compliance:**

ASME A112.18.1 / CSA B125.1  
NSF 61 - Section 9  
NSF 372 (Low Lead Content)  
ANSI A117.1 (ADA)  
UL 1951