



# T&S BRASS AND BRONZE WORKS, INC.

2 Saddleback Cove / P.O. Box 1088  
Travelers Rest, SC 29690

Model No.

**EC-3130**

Item No.

Travelers Rest, SC: 800-476-4103 • Simi Valley, CA: 800-423-0150 • Fax: 864-834-3518 • www.tsbrass.com



**ADA Compliant**



This Space for Architect/Engineer Approval

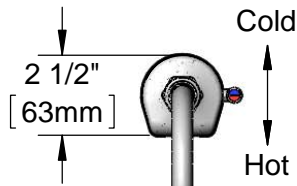
Job Name \_\_\_\_\_ Date \_\_\_\_\_

Model Specified \_\_\_\_\_ Quantity \_\_\_\_\_

Customer/Wholesaler \_\_\_\_\_

Contractor \_\_\_\_\_

Architect/Engineer \_\_\_\_\_



Internal Above Deck Electronics w/ Flow Control Setting Switches. Powered w/ 6 VDC Lithium Battery.

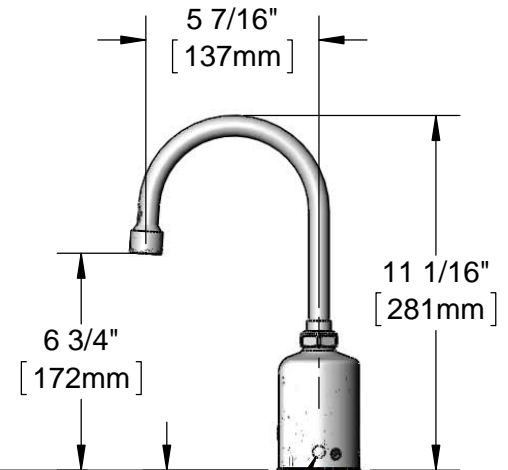
Removable Anti-Rotation Pin

13/16" [21mm]

Mounting Surface

Swivel Gooseneck w/ 2.2 GPM [8.3 L/min] Vandal Resistant Aerator. Rigid Conversion Requires 014200-45 Lock Washer (Included)

Temperature Mixing Handle w/ Color Coded Index (Optional Plug Included to Replace Handle When Temperature is Preset)



1 1/2" [38mm] Maximum Thickness

Shown w/ Optional Plug Installed When Water Temperature is Preset (Included)

19" [483mm] Flexible Stainless Steel Supply Hoses

1/2" NPSM Swivel Ends w/ Filter Washers

Check Valve Adapters w/ 3/8" Compression (9/16-24 UN) Inlets

Optional 100-240 VAC Adapter w/ 144" [3658mm] Power Cord w/ 2 Terminal Plugs (Included)

### Rough-In Requirement:

Ø 1 1/4" [32mm] Mounting Hole

Ø 3/16" [5mm] Anti-Rotation Pin Hole (Optional)

### Product Specifications:

Chrome Plated Brass Above Deck Electronics Faucet, Single Hole Deck Mount, Swivel/Rigid Gooseneck, 2.2 GPM VR Aerator, Point-of-Use Temperature Control, Battery or AC Adapter Powered, Stainless Steel Flexible Supply Lines & 3/8" Compression Inlets

### Product Compliance:

ASME A112.18.1 / CSA B125.1  
NSF 61 - Section 9  
NSF 372 (Low Lead Content)  
ANSI A117.1 (ADA)  
UL 1951



# T&S BRASS AND BRONZE WORKS, INC.

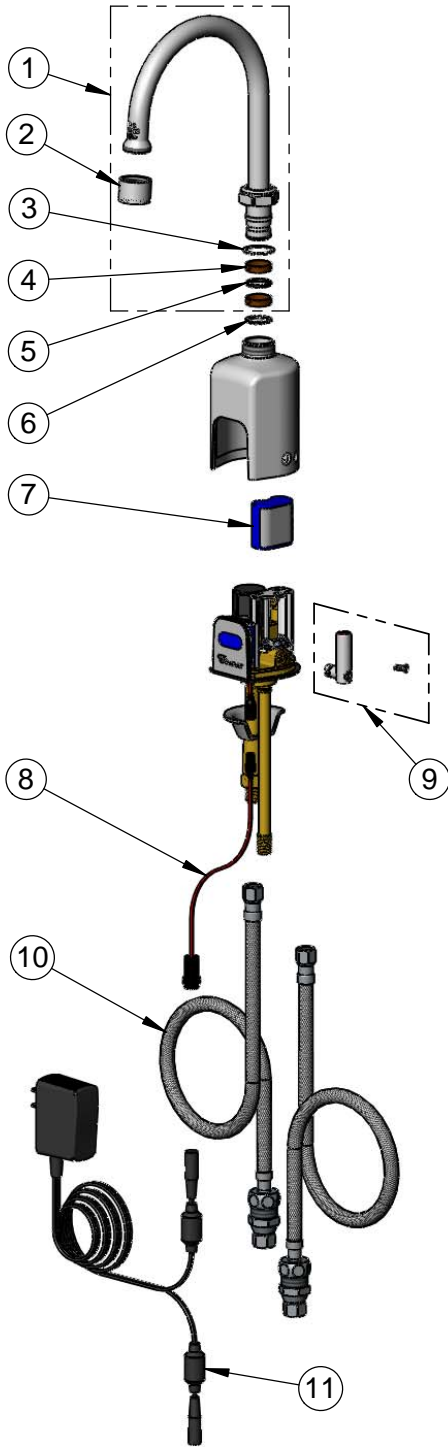
2 Saddleback Cove / P.O. Box 1088  
Travelers Rest, SC 29690

Model No.

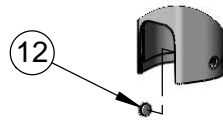
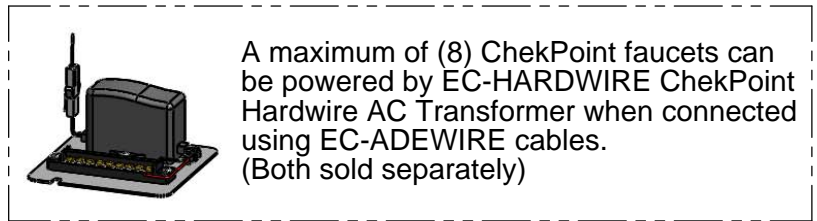
**EC-3130**

Item No.

Travelers Rest, SC: 800-476-4103 • Simi Valley, CA: 800-423-0150 • Fax: 864-834-3518 • www.tsbrass.com



ITEM NO.	SALES NO.	DESCRIPTION
1	018490-40	Swivel Gooseneck w/ VR 2.2 GPM Aerator & Key
2	B-0199-06	VR 2.2 GPM Aerator, 55/64-27 Female w/ Key
3	009538-45	Swivel Washer
4	011429-45	Swivel Sleeves (2)
5	001074-45	O-Ring
6	014200-45	Star Washer, Anti-Rotation
7	019087-45	6VDC Lithium Battery, CR-P2
8	019088-45	Auxiliary Power Connector Cable
9	019082-45	Lever Asm & Body Screw Kit w/ L-Key
10	018544-45	SS Flex Hose w/ Check Valve Adapter
11	5EF-0002	AC Transformer
12	019086-45	Body Plug, Pre-Set Temperature



Optional Plug Replaces Lever Handle When Pre-setting Temperature (Installs from Inside of Body)



015425-45  
VR Aerator Key



018543-45  
Torx T-20 VR L-Key

Flow Control Switches are Located Behind the Sensor. Remove Battery to Access Switches.

\* Switches are set to DEFAULT position:

- Auto Time Out = 15 seconds
- Shut Off Delay = 1 second
- Auto Flush = OFF

\* Available Water Flow Control Selections:

- Auto Time Out: 15 sec, 30 sec, 45 sec, 60 sec, 3 min, 20 min
- Shut Off Delay: 1 sec, 10 sec, 15 sec, 30 sec
- Auto Flush (30 Seconds After Every 12 Inactive Hours): ON or OFF

**Product Specifications:**

Chrome Plated Brass Above Deck Electronics Faucet, Single Hole Deck Mount, Swivel/Rigid Gooseneck, 2.2 GPM VR Aerator, Point-of-Use Temperature Control, Battery or AC Adapter Powered, Stainless Steel Flexible Supply Lines & 3/8" Compression Inlets

**Product Compliance:**

ASME A112.18.1 / CSA B125.1  
NSF 61 - Section 9  
NSF 372 (Low Lead Content)  
ANSI A117.1 (ADA)  
UL 1951



# T&S BRASS AND BRONZE WORKS, INC.

2 Saddleback Cove / P.O. Box 1088  
Travelers Rest, SC 29690

Model No.

**EC-3100-TMV**

Item No.

Travelers Rest, SC: 800-476-4103 • Simi Valley, CA: 800-423-0150 • Fax: 864-834-3518 • www.tsbrass.com



**ADA Compliant**



This Space for Architect/Engineer Approval

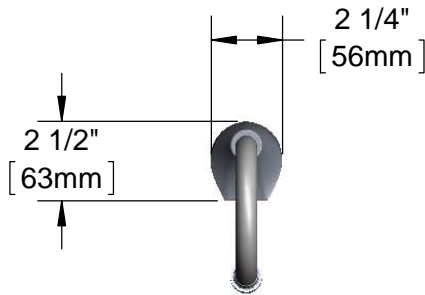
Job Name \_\_\_\_\_ Date \_\_\_\_\_

Model Specified \_\_\_\_\_ Quantity \_\_\_\_\_

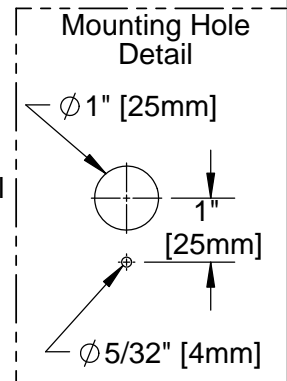
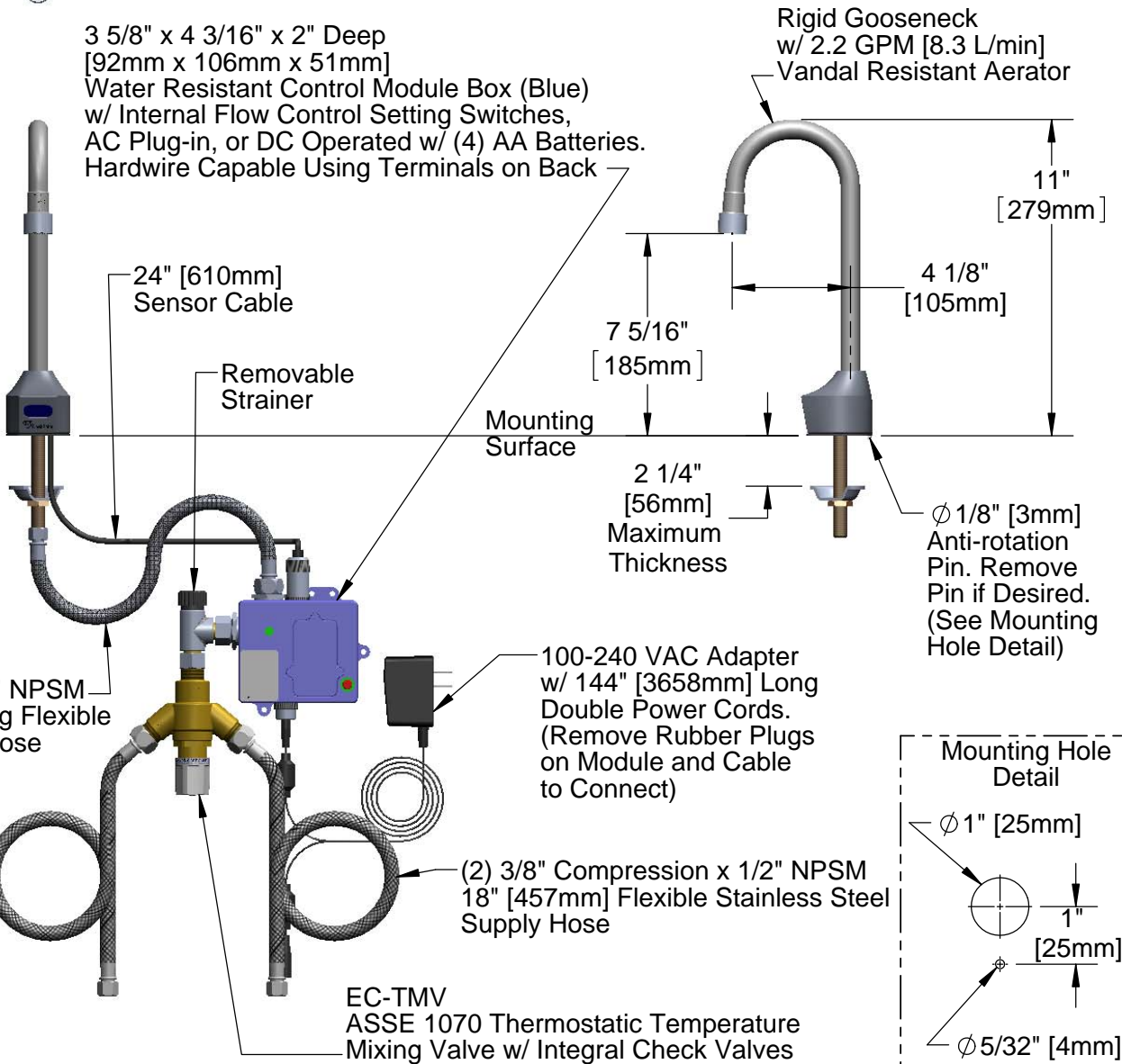
Customer/Wholesaler \_\_\_\_\_

Contractor \_\_\_\_\_

Architect/Engineer \_\_\_\_\_



3 5/8" x 4 3/16" x 2" Deep  
[92mm x 106mm x 51mm]  
Water Resistant Control Module Box (Blue)  
w/ Internal Flow Control Setting Switches,  
AC Plug-in, or DC Operated w/ (4) AA Batteries.  
Hardwire Capable Using Terminals on Back



**Product Specifications:**

Chrome Plated Brass Electronic Faucet:  
Deck Mt. Rigid Gooseneck w/ VR Aerator, AC/DC Control Module  
w/ Internal Flow Control Setting Switches, Thermostatic  
Temperature Control Mixing Valve w/ Integral Check Valves,  
18" Long Hot & Cold Supply Stop Flexible Connector Hoses

**Product Compliance:**

ASME A112.18.1 / CSA B125.1  
NSF 61 - Section 9  
NSF 372 (Low Lead Content)  
ANSI A117.1 (ADA)  
UL 1951  
ASSE 1070 (TMV)



# T&S BRASS AND BRONZE WORKS, INC.

2 Saddleback Cove / P.O. Box 1088  
Travelers Rest, SC 29690

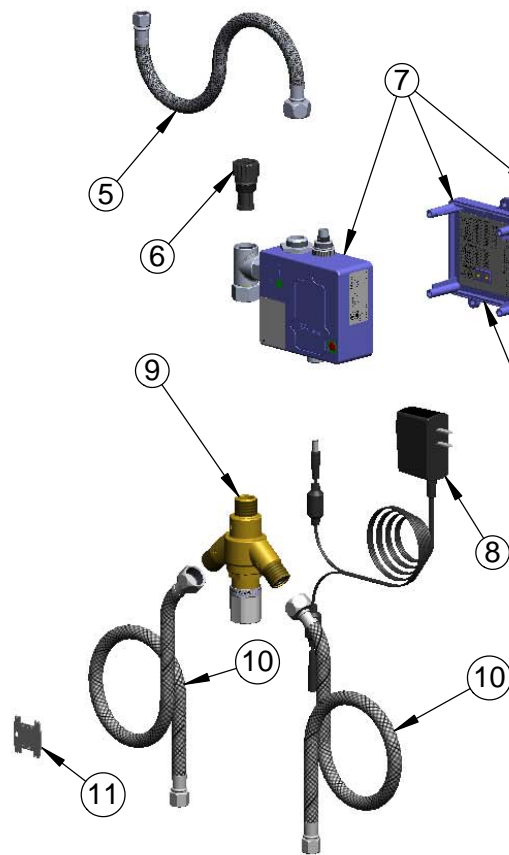
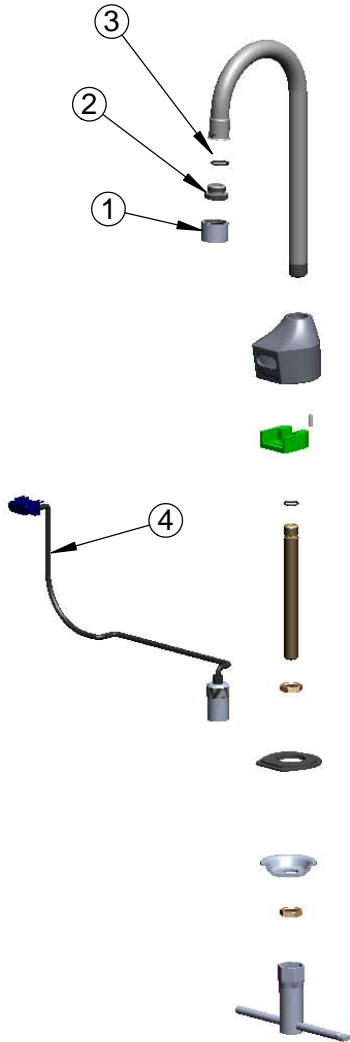
Model No.

**EC-3100-TMV**

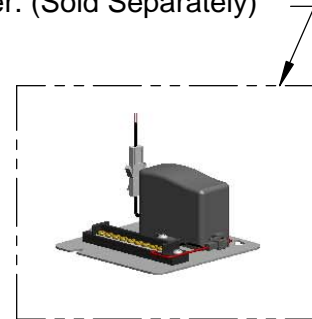
Item No.

Travelers Rest, SC: 800-476-4103 • Simi Valley, CA: 800-423-0150 • Fax: 864-834-3518 • www.tsbrass.com

ITEM NO.	SALES NO.	DESCRIPTION
1	B-0199-06	VR Aerator w/ Key
2	044A	3/8" to Aerator Adapter
3	006575-45	-015 O-Ring
4	017195-45	Angled Sensor w/ Cable
5	016297-45	Inlet Hose, Faucet, 1/2" NPSM-F x 1/4" NPSM-F
6	EC-FILTER	Replacement Filter
7	016647-45	ChekPoint Electronic Module (Blue)
8	5EF-0002	A/C Transformer
9	EC-TMV	ASSE 1070 Thermostatic Mixing Valve
10	5EF-0005	Supply Hose, 9/16-24 Female x 1/2" NPSM
11	015425-45	Vandal Resistant Key



A Maximum of (8) ChekPoint Faucets can be Hardwire Connected and Powered by EC-HARDWIRE ChekPoint Hardwire AC Transformer. (Sold Separately)



Label for Flow Control Switch Settings is Located on Inside of Back Cover.

Flow Control Switches are Located Inside Module Housing in Black Box Next to Battery Compartment.  
\*Switches are Set to DEFAULT Position:  
- Auto Time Out = 15 Seconds  
- Shut Off Delay = 1 Second  
- Auto Flush = OFF

Remove (4) Screws and Back Cover to Access Switches.

**\*Available Water Flow Control Selections:**

- Auto Time Out: 15 sec, 30 sec, 45 sec, 60 sec, 3 min, 20 min
- Shut Off Delay: 1 sec, 10 sec, 15 sec, 30 sec
- Auto Flush (30 Seconds After Every 12 Inactive Hours): ON or OFF

**Product Specifications:**

Chrome Plated Brass Electronic Faucet:  
Deck Mt. Rigid Gooseneck w/ VR Aerator, AC/DC Control Module  
w/ Internal Flow Control Setting Switches, Thermostatic  
Temperature Control Mixing Valve w/ Integral Check Valves,  
18" Long Hot & Cold Supply Stop Flexible Connector Hoses

**Product Compliance:**

ASME A112.18.1 / CSA B125.1  
NSF 61 - Section 9  
NSF 372 (Low Lead Content)  
ANSI A117.1 (ADA)  
UL 1951  
ASSE 1070 (TMV)



# T&S BRASS AND BRONZE WORKS, INC.

2 Saddleback Cove / P.O. Box 1088  
Travelers Rest, SC 29690

Model No.

**EC-3100TMVHGF10**

Item No.

Travelers Rest, SC: 800-476-4103 • Simi Valley, CA: 800-423-0150 • Fax: 864-834-3518 • www.tsbrass.com



**ADA Compliant**



This Space for Architect/Engineer Approval

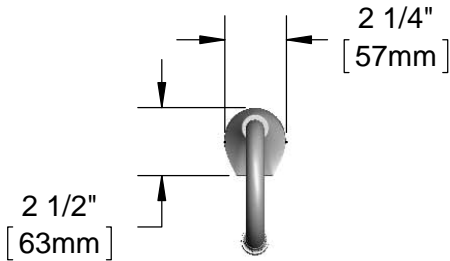
Job Name \_\_\_\_\_ Date \_\_\_\_\_

Model Specified \_\_\_\_\_ Quantity \_\_\_\_\_

Customer/Wholesaler \_\_\_\_\_

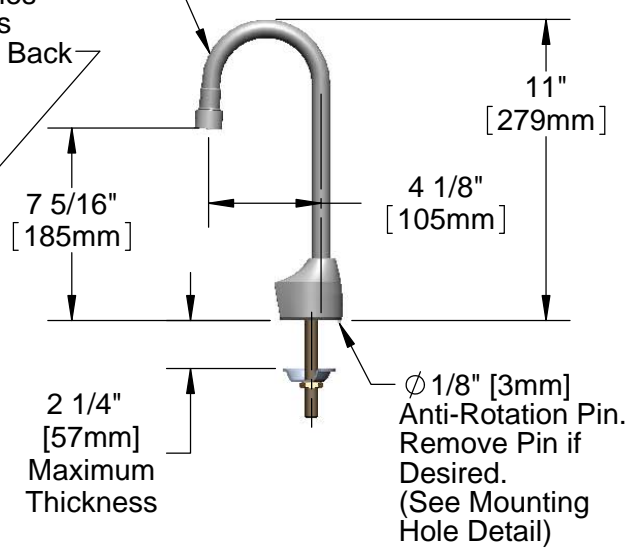
Contractor \_\_\_\_\_

Architect/Engineer \_\_\_\_\_



3 5/8" x 4 3/16" x 2" Deep  
[92mm x 106mm x 51mm]  
Water Resistant Control Module Box (Blue)  
w/ Internal Flow Control Setting Switches  
AC or DC Operated w/ (4) AA Batteries  
Hardwire Capable Using Terminals on Back

Rigid Gooseneck w/  
B-0199-06-F10  
VR 1.0 GPM Female Aerator



24" [610mm] Sensor Cable  
1/2" NPSM x 1/4" NPSM  
18" [457mm] Long Flexible  
Stainless Steel Hose

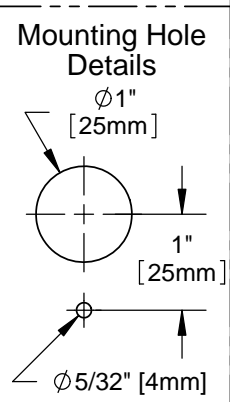
Removable  
Strainer

EC-HYDROGEN  
Hydro-Generator  
Power Supply.  
No AA Batteries or  
AC Adapter Needed  
to Supply Power to  
Faucet

EC-TMV  
ASSE 1070  
Thermostatic  
Temperature  
Mixing Valve w/  
Integral Check  
Valves

Optional 100-240 VAC Adapter  
w/ 144" [3658mm] Long Double  
Power Cord. (Included)  
(Remove Rubber Plugs on Module  
and Cable to Connect)

(2) 3/8" Compression x 1/2" NPSM  
18" [457mm] Flexible Stainless Steel  
Supply Hose



**Product Specifications:**

Chrome Plated Brass Electronic Faucet: Deck Mount Rigid Gooseneck w/ VR 1.0 GPM VR Aerator, AC/DC Control Module w/ Internal Flow Control Setting Switches, Thermostatic Temperature Control Mixing Valve w/ Integral Check Valves, Hydro-Generator, 18" Flexible Stainless Steel Supply Hoses

**Product Compliance:**

ASME A112.18.1 / CSA B125.1  
NSF 61 - Section 9  
NSF 372 (Low Lead Content)  
ANSI A117.1 (ADA)  
UL 1951  
ASSE 1070 (TMV)



# T&S BRASS AND BRONZE WORKS, INC.

2 Saddleback Cove / P.O. Box 1088  
Travelers Rest, SC 29690

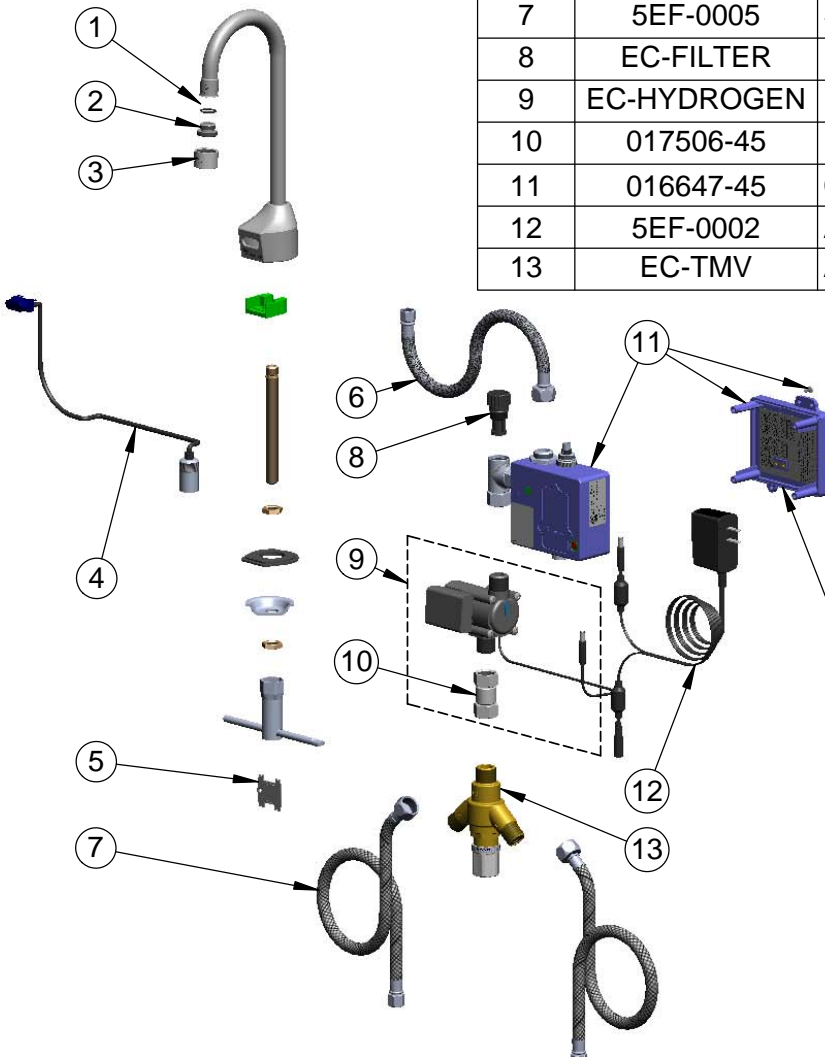
Model No.

**EC-3100TMVHGF10**

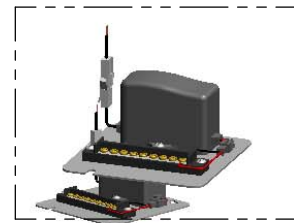
Item No.

Travelers Rest, SC: 800-476-4103 • Simi Valley, CA: 800-423-0150 • Fax: 864-834-3518 • www.tsbrass.com

ITEM NO.	SALES NO.	DESCRIPTION
1	006575-45	O-Ring
2	044A	3/8" to Aerator Adapter
3	B-0199-06-F10	VR 1.0 GPM Aerator, 55/64-27 UN Female w/ Key
4	017195-45	Angled Sensor w/ Cable
5	015425-45	Vandal Resistant Key
6	016297-45	Inlet Hose, Faucet, 1/2" NPSM-F x 1/4" NPSM-F
7	5EF-0005	Supply Hose, 9/16-24 Female x 1/2" NPSM
8	EC-FILTER	Replacement Filter
9	EC-HYDROGEN	HydroGenerator Power Supply
10	017506-45	1/2" NPSM Swivel Coupling
11	016647-45	ChekPoint Electronic Module (Blue)
12	5EF-0002	A/C Transformer
13	EC-TMV	ASSE 1070 Thermostatic Mixing Valve



A Maximum of (8) ChekPoint Faucets can be Hardwire Connected and Powered by EC-HARDWIRE ChekPoint Hardwire AC Transformer. (Sold Separately)



Label for Flow Control Switch Settings is Located on Inside of Back Cover.

Flow Control Switches are Located Inside Module Housing in Black Box Next to Battery Compartment.  
\*Switches are Set to DEFAULT Position:  
- Auto Time Out = 15 Seconds  
- Shut Off Delay = 1 Second  
- Auto Flush = OFF

Remove (4) Screws and Back Cover to Access Switches.

\*Available Water Flow Control Selections:  
- Auto Time Out: 15 sec, 30 sec, 45 sec, 60 sec, 3 min, 20 min  
- Shut Off Delay: 1 sec, 10 sec, 15 sec, 30 sec  
- Auto Flush (30 Seconds After Every 12 Inactive Hours): ON or OFF

Product Specifications:  
Chrome Plated Brass Electronic Faucet: Deck Mount Rigid Gooseneck w/ VR 1.0 GPM VR Aerator, AC/DC Control Module w/ Internal Flow Control Setting Switches, Thermostatic Temperature Control Mixing Valve w/ Integral Check Valves, Hydro-Generator, 18" Flexible Stainless Steel Supply Hoses

Product Compliance:  
ASME A112.18.1 / CSA B125.1  
NSF 61 - Section 9  
NSF 372 (Low Lead Content)  
ANSI A117.1 (ADA)  
UL 1951  
ASSE 1070 (TMV)



# T&S BRASS AND BRONZE WORKS, INC.

2 Saddleback Cove / P.O. Box 1088  
Travelers Rest, SC 29690

Model No.

**EC-3100-120X**

Item No.

Travelers Rest, SC: 800-476-4103 • Simi Valley, CA: 800-423-0150 • Fax: 864-834-3518 • www.tsbrass.com

This Space for Architect/Engineer Approval

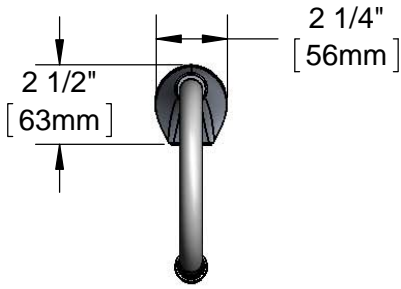
Job Name \_\_\_\_\_ Date \_\_\_\_\_

Model Specified \_\_\_\_\_ Quantity \_\_\_\_\_

Customer/Wholesaler \_\_\_\_\_

Contractor \_\_\_\_\_

Architect/Engineer \_\_\_\_\_

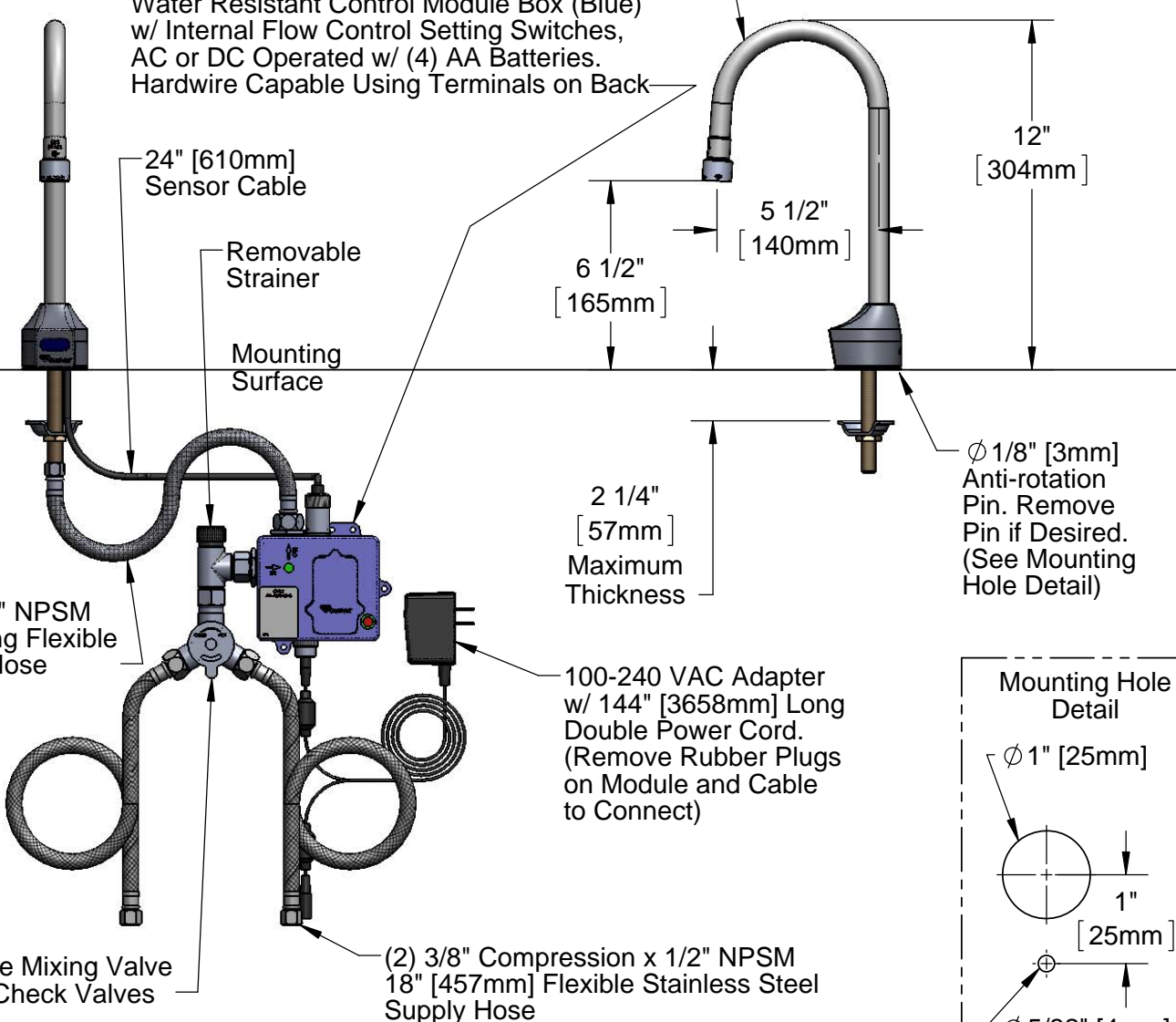


**ADA Compliant**



3 5/8" x 4 3/16" x 2" Deep  
[92mm x 106mm x 51mm]  
Water Resistant Control Module Box (Blue)  
w/ Internal Flow Control Setting Switches,  
AC or DC Operated w/ (4) AA Batteries.  
Hardwire Capable Using Terminals on Back

Rigid Gooseneck  
w/ 2.2 GPM [8.3 L/min]  
Vandal Resistant Aerator



24" [610mm]  
Sensor Cable

Removable  
Strainer

Mounting  
Surface

1/2" NPSM x 1/4" NPSM  
18" [457mm] Long Flexible  
Stainless Steel Hose

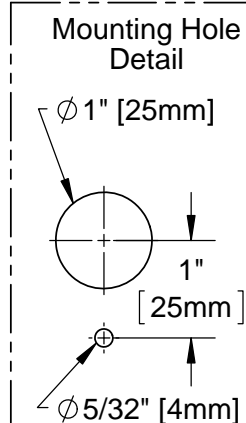
Temperature Mixing Valve  
w/ Integral Check Valves

(2) 3/8" Compression x 1/2" NPSM  
18" [457mm] Flexible Stainless Steel  
Supply Hose

2 1/4"  
[57mm]  
Maximum  
Thickness

ϕ 1/8" [3mm]  
Anti-rotation  
Pin. Remove  
Pin if Desired.  
(See Mounting  
Hole Detail)

100-240 VAC Adapter  
w/ 144" [3658mm] Long  
Double Power Cord.  
(Remove Rubber Plugs  
on Module and Cable  
to Connect)



**Product Specifications:**  
Chrome Plated Brass Electronic Faucet: Deck Mount Rigid Gooseneck  
w/ VR Aerator, AC/DC Control Module w/ Internal Flow Control Setting  
Switches, Temperature Control Mixing Valve, 18" Long Hot & Cold  
Supply Stop Flexible Connector Hoses

**Product Compliance:**  
ASME A112.18.1 / CSA B125.1  
NSF 61 - Section 9  
NSF 372 (Low Lead Content)  
ANSI A117.1 (ADA)  
UL 1951



# T&S BRASS AND BRONZE WORKS, INC.

2 Saddleback Cove / P.O. Box 1088  
Travelers Rest, SC 29690

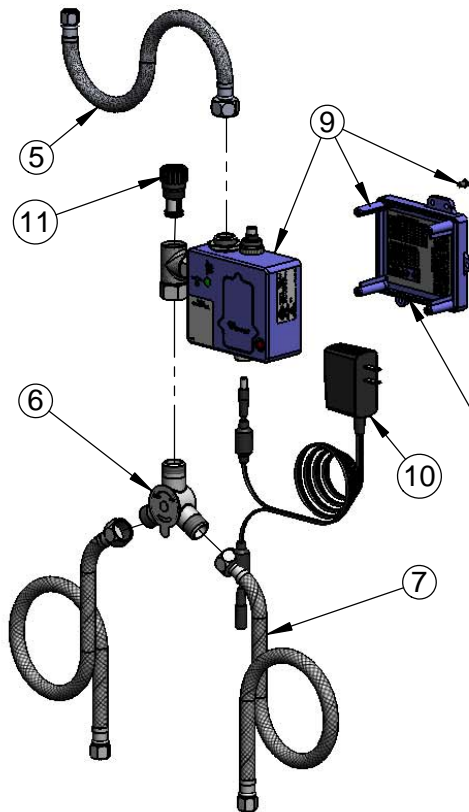
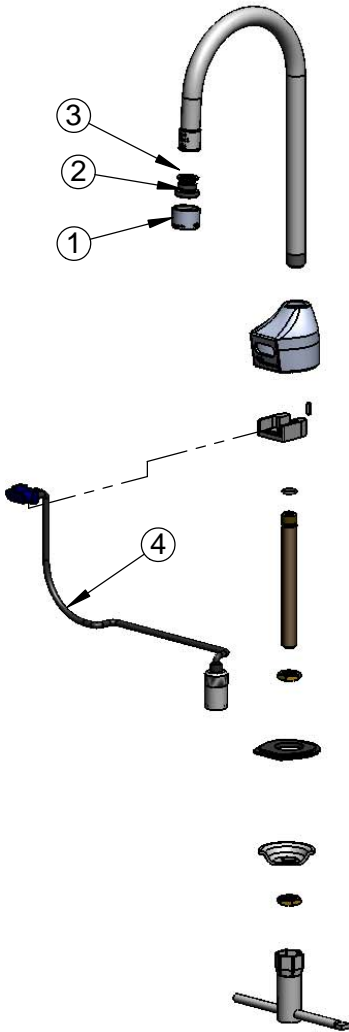
Model No.

**EC-3100-120X**

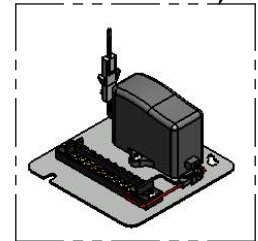
Item No.

Travelers Rest, SC: 800-476-4103 • Simi Valley, CA: 800-423-0150 • Fax: 864-834-3518 • www.tsbrass.com

ITEM NO.	SALES NUMBER	DESCRIPTION
1	B-0199-06	VR Aerator w/ Key
2	044A	3/8" to Aerator Adapter
3	006575-45	O-Ring
4	017195-45	Angled Sensor w/ Cable
5	016297-45	Inlet Hose, Faucet, 1/2" NPSM-F x 1/4" NPSM-F
6	5EF-0006	Mechanical Mixing Valve
7	5EF-0005	Supply Hose, 9/16-24 Female x 1/2" NPSM
8	015425-45	Vandal Resistant Key
9	016647-45	ChekPoint Module (Blue)
10	5EF-0002	A/C Transformer
11	EC-FILTER	Replacement Filter



A Maximum of (8) ChekPoint Faucets can be Hardwire Connected and Powered by EC-HARDWIRE ChekPoint Hardwire AC Transformer. (Sold Separately)



Label for Flow Control Switch Settings is Located on Inside of Back Cover.

Flow Control Switches are Located Inside Module Housing in Black Box Next to Battery Compartment.  
\*Switches are Set to DEFAULT Position:  
- Auto Time Out = 15 Seconds  
- Shut Off Delay = 1 Second  
- Auto Flush = OFF

Remove (4) Screws and Back Cover to Access Switches.

**\*Available Water Flow Control Selections:**

- Auto Time Out: 15 sec, 30 sec, 45 sec, 60 sec, 3 min, 20 min
- Shut Off Delay: 1 sec, 10 sec, 15 sec, 30 sec
- Auto Flush (30 Seconds After Every 12 Inactive Hours): ON or OFF

**Product Specifications:**

Chrome Plated Brass Electronic Faucet: Deck Mount Rigid Gooseneck w/ VR Aerator, AC/DC Control Module w/ Internal Flow Control Setting Switches, Temperature Control Mixing Valve, 18" Long Hot & Cold Supply Stop Flexible Connector Hoses

**Product Compliance:**

ASME A112.18.1 / CSA B125.1  
NSF 61 - Section 9  
NSF 372 (Low Lead Content)  
ANSI A117.1 (ADA)  
UL 1951





# T&S BRASS AND BRONZE WORKS, INC.

2 Saddleback Cove / P.O. Box 1088  
Travelers Rest, SC 29690

Model No.

**EC-3100-HG**

Item No.

Travelers Rest, SC: 800-476-4103 • Simi Valley, CA: 800-423-0150 • Fax: 864-834-3518 • www.tsbrass.com

This Space for Architect/Engineer Approval

Job Name \_\_\_\_\_ Date \_\_\_\_\_

Model Specified \_\_\_\_\_ Quantity \_\_\_\_\_

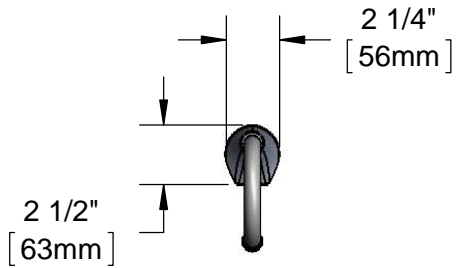
Customer/Wholesaler \_\_\_\_\_

Contractor \_\_\_\_\_

Architect/Engineer \_\_\_\_\_

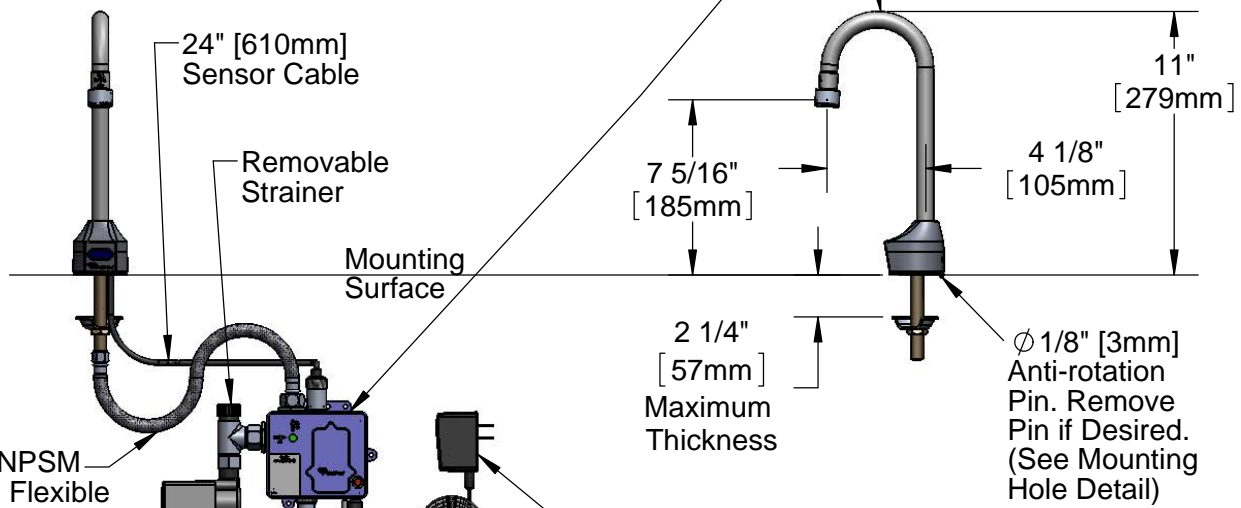


**ADA Compliant**



3 5/8" x 4 3/16" x 2" Deep  
[92mm x 106mm x 51mm]  
Water Resistant Control Module Box (Blue)  
w/ Internal Flow Control Setting Switches,  
AC or DC operated w/ (4) AA  
Batteries If Hydro-Generator is Not Used.  
Hardwire Capable using Terminals on Back

Rigid Gooseneck  
w/ 2.2 GPM [8.3 L/min]  
Vandal Resistant Aerator



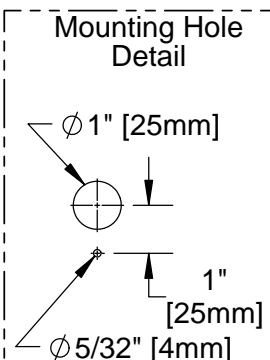
1/2" NPSM x 1/4" NPSM  
18" [457mm] Long Flexible  
Stainless Steel Hose

Hydro-Generator  
Power Supply.  
No AA Batteries  
or AC Adapter  
Needed to Supply  
Power to Faucet.

Temperature Mixing Valve  
w/ Integral Check Valves

Optional  
100-240 VAC Adapter  
w/ 144" [3658mm] Long  
Double Power Cord (Included).  
(Remove Rubber Plugs  
on Module and Cable  
to Connect)

(2) 3/8" Compression x 1/2" NPSM  
18" [457mm] Flexible Stainless Steel  
Supply Hose



**Product Specifications:**  
Chrome Plated Brass Electronic Faucet: Deck Mount Rigid  
Gooseneck w/ VR Aerator, AC/DC Control Module w/ Internal  
Flow Cont. Setting Switches, Temperature Control Mixing Valve  
w/ Integral Check Valves,, Hydro-Generator, 18" Long Hot & Cold  
Supply Stop Flexible Connector Hoses

**Product Compliance:**  
ASME A112.18.1 / CSA B125.1  
NSF 61 - Section 9  
NSF 372 (Low Lead Content)  
ANSI A117.1 (ADA)  
UL 1951



# T&S BRASS AND BRONZE WORKS, INC.

2 Saddleback Cove / P.O. Box 1088  
Travelers Rest, SC 29690

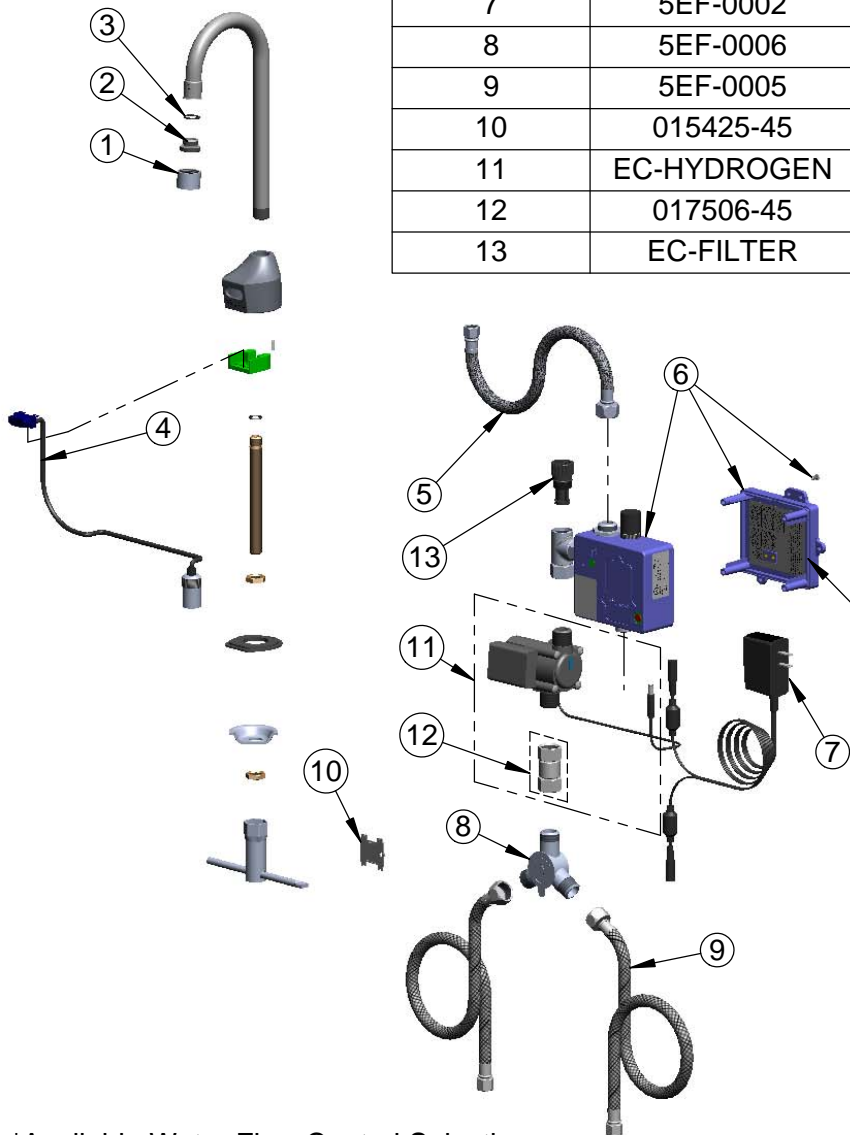
Model No.

**EC-3100-HG**

Item No.

Travelers Rest, SC: 800-476-4103 • Simi Valley, CA: 800-423-0150 • Fax: 864-834-3518 • www.tsbrass.com

ITEM NO.	SALES NUMBER	DESCRIPTION
1	B-0199-06	VR Aerator w/ Key
2	044A	3/8" to Aerator Adapter
3	006575-45	-015 O-Ring
4	017195-45	Angled Sensor w/ Cable
5	016297-45	Inlet Hose, Faucet, 1/2" NPSM-F x 1/4" NPSM-F
6	016647-45	ChekPoint Module (Blue)
7	5EF-0002	Double Gang, Plug-in AC Transformer
8	5EF-0006	Mechanical Mixing Valve
9	5EF-0005	Supply Hose, 9/16-24 Female x 1/2" NPSM
10	015425-45	Vandal Resistant Key
11	EC-HYDROGEN	Hydro-Generator and Swivel Coupling
12	017506-45	1/2 NPSM Swivel Coupling
13	EC-FILTER	Replacement Filter



Label for Flow Control Switch Settings is Located on Inside of Back Cover.

Flow Control Switches are Located Inside Module Housing in Black Box Next to Battery Compartment.

\*Switches are Set to DEFAULT Position:

- Auto Time Out = 15 Seconds
- Shut Off Delay = 1 Second
- Auto Flush = OFF

Remove (4) Screws and Back Cover to Access Switches.

**\*Available Water Flow Control Selections:**

- Auto Time Out: 15 sec, 30 sec, 45 sec, 60 sec, 3 min, 20 min
- Shut Off Delay: 1 sec, 10 sec, 15 sec, 30 sec
- Auto Flush (30 Seconds After Every 12 Inactive Hours): ON or OFF

**Product Specifications:**

Chrome Plated Brass Electronic Faucet: Deck Mount Rigid Gooseneck w/ VR Aerator, AC/DC Control Module w/ Internal Flow Cont. Setting Switches, Temperature Control Mixing Valve w/ Integral Check Valves,, Hydro-Generator, 18" Long Hot & Cold Supply Stop Flexible Connector Hoses

**Product Compliance:**

ASME A112.18.1 / CSA B125.1  
NSF 61 - Section 9  
NSF 372 (Low Lead Content)  
ANSI A117.1 (ADA)  
UL 1951



# T&S BRASS AND BRONZE WORKS, INC.

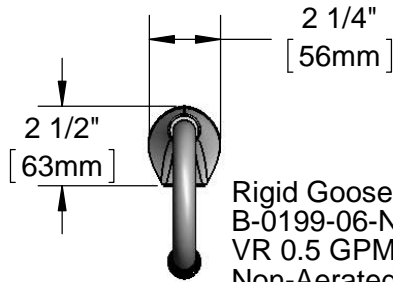
2 Saddleback Cove / P.O. Box 1088  
Travelers Rest, SC 29690

Model No.

**EC-3100-VF05**

Item No.

Travelers Rest, SC: 800-476-4103 • Simi Valley, CA: 800-423-0150 • Fax: 864-834-3518 • www.tsbrass.com



Rigid Gooseneck w/  
B-0199-06-N05  
VR 0.5 GPM  
Non-Aerated  
Spray Device



This Space for Architect/Engineer Approval

Job Name \_\_\_\_\_ Date \_\_\_\_\_

Model Specified \_\_\_\_\_ Quantity \_\_\_\_\_

Customer/Wholesaler \_\_\_\_\_

Contractor \_\_\_\_\_

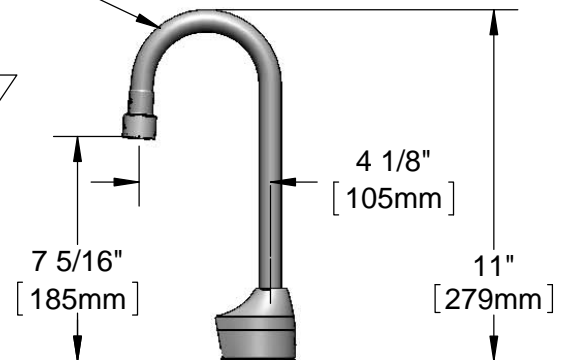
Architect/Engineer \_\_\_\_\_

3 5/8" x 4 3/16" x 2" Deep  
[92mm x 106mm x 51mm]  
Water Resistant Control Module Box (Blue)  
w/ Internal Flow Control Setting Switches,  
AC or DC Operated w/ (4) AA Batteries.  
Hardwire Capable Using Terminals on Back

24" [610mm]  
Sensor Cable

Removable  
Strainer

Mounting  
Surface



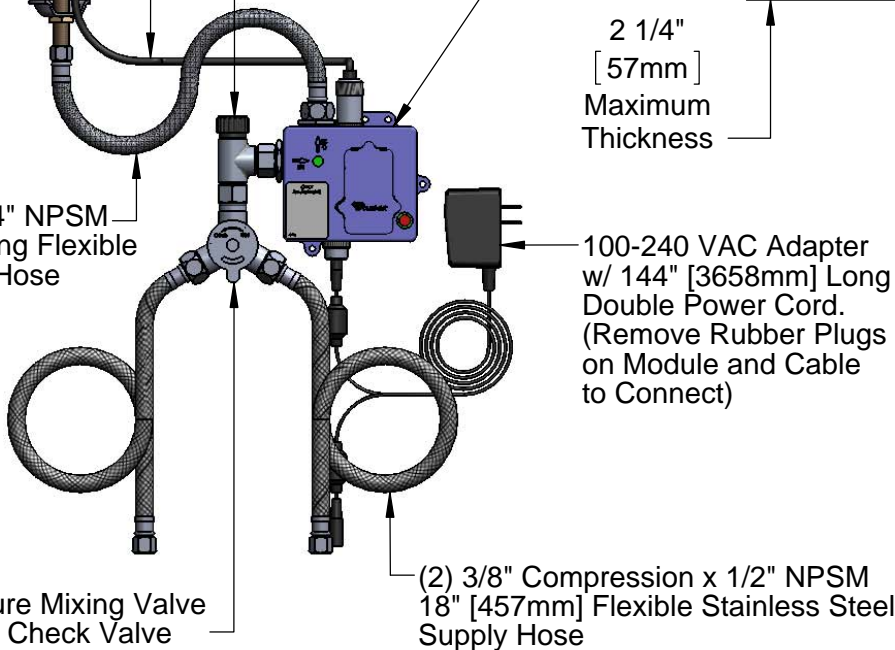
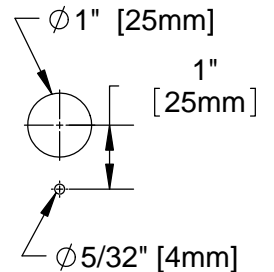
2 1/4" [57mm]  
Maximum  
Thickness

Ø 1/8" [3mm]  
Anti-rotation  
Pin. Remove  
Pin if Desired.  
(See Mounting  
Hole Detail)

1/2" NPSM x 1/4" NPSM  
18" [457mm] Long Flexible  
Stainless Steel Hose

100-240 VAC Adapter  
w/ 144" [3658mm] Long  
Double Power Cord.  
(Remove Rubber Plugs  
on Module and Cable  
to Connect)

Mounting Hole  
Detail



Temperature Mixing Valve  
w/ Integral Check Valve

(2) 3/8" Compression x 1/2" NPSM  
18" [457mm] Flexible Stainless Steel  
Supply Hose

### Product Specifications:

Chrome Plated Brass Electronic Faucet: Deck Mt. Rigid Gooseneck w/ VR 0.5 Non-Aerated Spray Device, AC/DC Control Module w/ Internal Flow Control Setting Switches, Temperature Control Mixing Valve w/ Integral Check Valves, 18" Flexible Stainless Steel Supply Hoses

### Product Compliance:

ASME A112.18.1 / CSA B125.1  
NSF 61 - Section 9  
NSF 372 (Low Lead Content)  
ANSI A117.1 (ADA)  
UL 1951



# T&S BRASS AND BRONZE WORKS, INC.

2 Saddleback Cove / P.O. Box 1088  
Travelers Rest, SC 29690

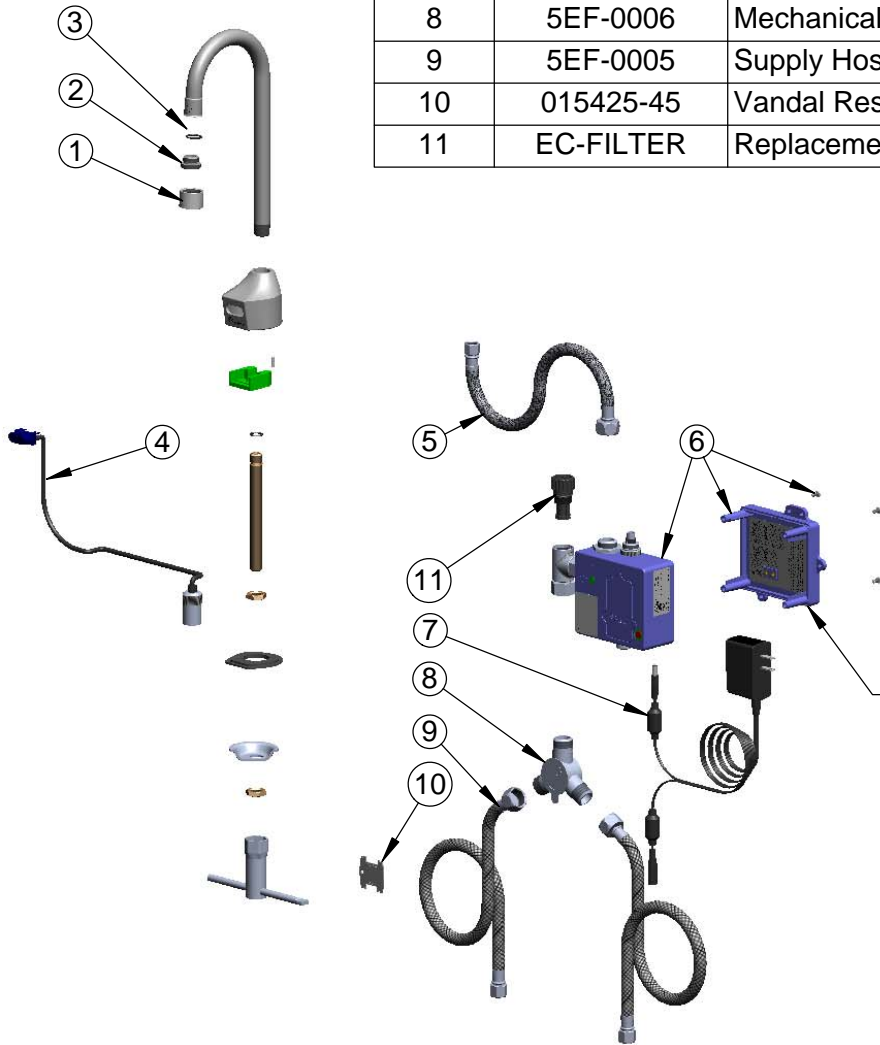
Model No.

**EC-3100-VF05**

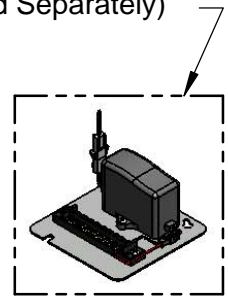
Item No.

Travelers Rest, SC: 800-476-4103 • Simi Valley, CA: 800-423-0150 • Fax: 864-834-3518 • www.tsbrass.com

ITEM NO.	SALES NO.	DESCRIPTION
1	B-0199-06-N05	0.5 GPM VR Spray Device
2	044A	3/8" to Aerator Adapter
3	006575-45	O-Ring
4	017195-45	Angled Sensor w/ Cable
5	016297-45	Inlet Hose, Faucet, 1/2" NPSM-F x 1/4" NPSM-F
6	016647-45	ChekPoint Module (Blue)
7	5EF-0002	Double Gang, Plug-in AC Transformer
8	5EF-0006	Mechanical Mixing Valve
9	5EF-0005	Supply Hose, 9/16-24 Female x 1/2" NPSM
10	015425-45	Vandal Resistant Key
11	EC-FILTER	Replacement Filter



A Maximum of (8) ChekPoint Faucets can be Hardwire Connected and Powered by EC-HARDWIRE ChekPoint Hardwire AC Transformer. (Sold Separately)



Label for Flow Control Switch Settings is Located on Inside of Back Cover.

Flow Control Switches are Located Inside Module Housing in Black Box Next to Battery Compartment.

\*Switches are Set to DEFAULT Position:

- Auto Time Out = 15 Seconds
- Shut Off Delay = 1 Second
- Auto Flush = OFF

Remove (4) Screws and Back Cover to Access Switches.

**\*Available Water Flow Control Selections:**

- Auto Time Out: 15 sec, 30 sec, 45 sec, 60 sec, 3 min, 20 min
- Shut Off Delay: 1 sec, 10 sec, 15 sec, 30 sec
- Auto Flush (30 Seconds After Every 12 Inactive Hours): ON or OFF

**Product Specifications:**

Chrome Plated Brass Electronic Faucet: Deck Mt. Rigid Gooseneck w/ VR 0.5 Non-Aerated Spray Device, AC/DC Control Module w/ Internal Flow Control Setting Switches, Temperature Control Mixing Valve w/ Integral Check Valves, 18" Flexible Stainless Steel Supply Hoses

**Product Compliance:**

ASME A112.18.1 / CSA B125.1  
NSF 61 - Section 9  
NSF 372 (Low Lead Content)  
ANSI A117.1 (ADA)  
UL 1951



# T&S BRASS AND BRONZE WORKS, INC.

2 Saddleback Cove / P.O. Box 1088  
Travelers Rest, SC 29690

Model No.

**EC-3100-BA**

Item No.

Travelers Rest, SC: 800-476-4103 • Simi Valley, CA: 800-423-0150 • Fax: 864-834-3518 • www.tsbrass.com



**ADA Compliant**



This Space for Architect/Engineer Approval

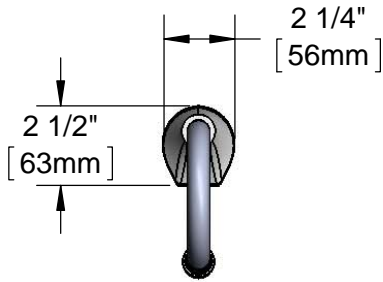
Job Name \_\_\_\_\_ Date \_\_\_\_\_

Model Specified \_\_\_\_\_ Quantity \_\_\_\_\_

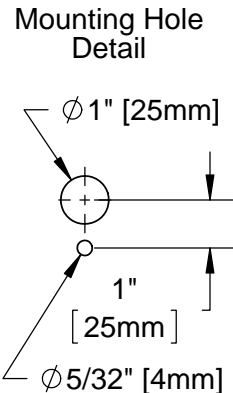
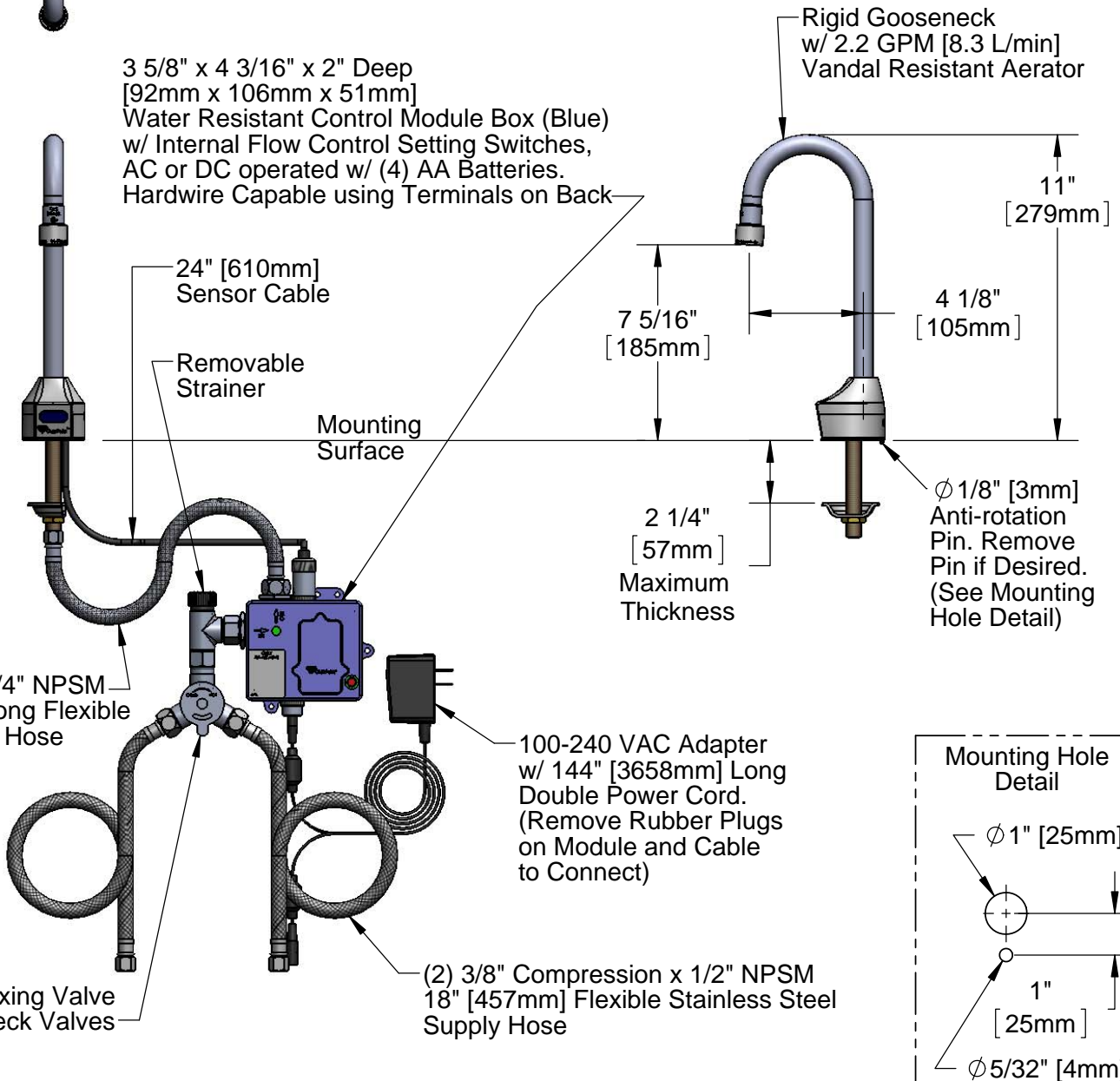
Customer/Wholesaler \_\_\_\_\_

Contractor \_\_\_\_\_

Architect/Engineer \_\_\_\_\_



3 5/8" x 4 3/16" x 2" Deep  
[92mm x 106mm x 51mm]  
Water Resistant Control Module Box (Blue)  
w/ Internal Flow Control Setting Switches,  
AC or DC operated w/ (4) AA Batteries.  
Hardwire Capable using Terminals on Back



### Product Specifications:

Chrome Plated Brass Electronic Faucet: Deck Mount Rigid Gooseneck w/ VR Aerator, AC/DC Control Module w/ Internal Flow Control Setting Switches, Temperature Control Mixing Valve w/ Integral Check Valves, 18" Long Hot & Cold Supply Stop Flexible Connector Hoses

### Product Compliance:

ASME A112.18.1 / CSA B125.1  
NSF 61 - Section 9  
NSF 372 (Low Lead Content)  
ANSI A117.1 (ADA)  
UL 1951



# T&S BRASS AND BRONZE WORKS, INC.

2 Saddleback Cove / P.O. Box 1088  
Travelers Rest, SC 29690

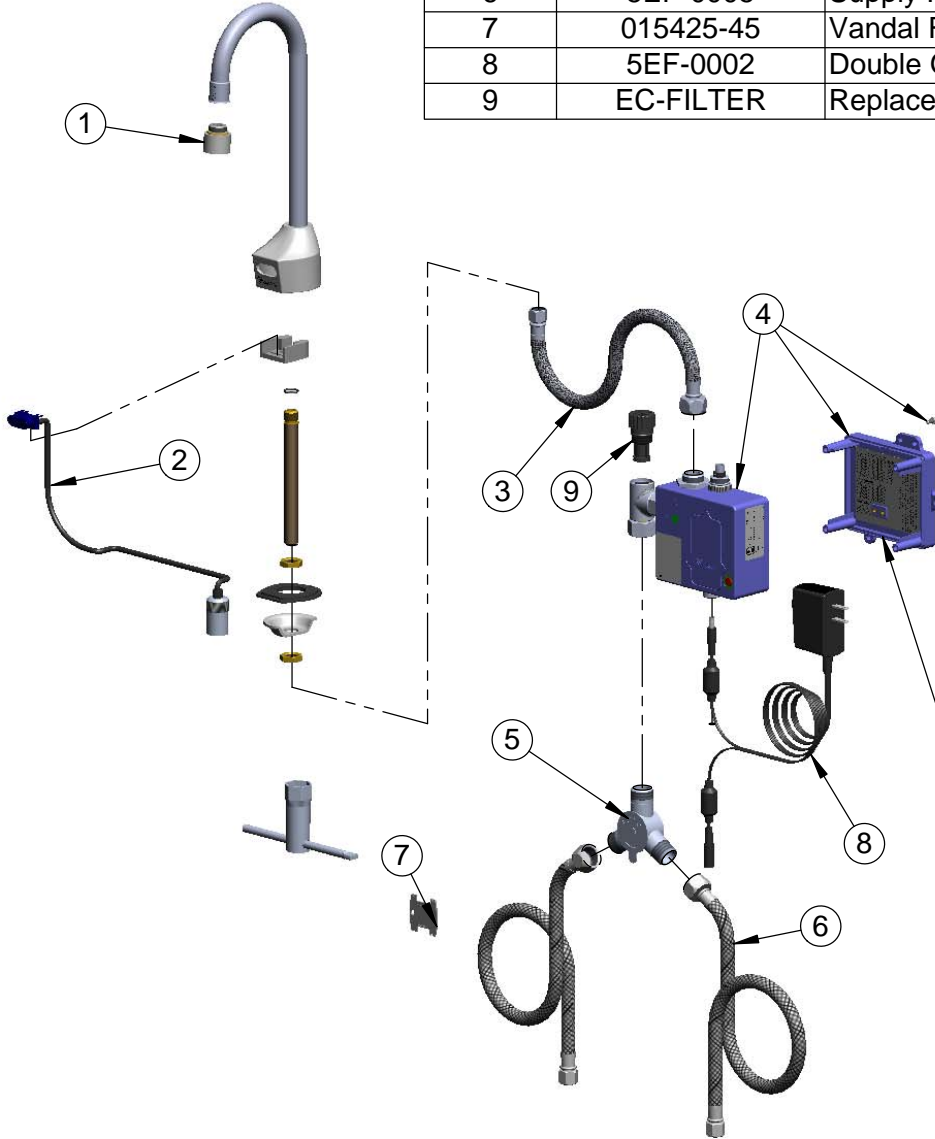
Model No.

**EC-3100-BA**

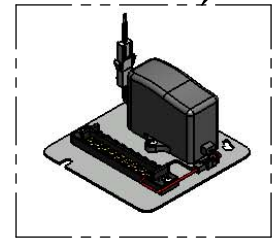
Item No.

Travelers Rest, SC: 800-476-4103 • Simi Valley, CA: 800-423-0150 • Fax: 864-834-3518 • www.tsbrass.com

ITEM NO.	SALES NO.	DESCRIPTION
1	B-0199-07	VR Aerator w/ Key
2	017195-45	Angled Sensor w/ Cable
3	016297-45	Inlet Hose, Faucet, 1/2" NPSM-F x 1/4" NPSM-F
4	016647-45	ChekPoint Module (Blue)
5	5EF-0006	Mechanical Mixing Valve
6	5EF-0005	Supply Hose, 9/16-24 Female x 1/2" NPSM
7	015425-45	Vandal Resistant Key
8	5EF-0002	Double Gang, Plug-in AC Transformer
9	EC-FILTER	Replacement Filter



A Maximum of (8) ChekPoint Faucets can be Hardwire Connected and Powered by EC-HARDWIRE ChekPoint Hardwire AC Transformer. (Sold Separately)



Label for Flow Control Switch Settings is Located on Inside of Back Cover.

Flow Control Switches are Located Inside Module Housing in Black Box Next to Battery Compartment.  
\*Switches are Set to DEFAULT Position:  
- Auto Time Out = 15 Seconds  
- Shut Off Delay = 1 Second  
- Auto Flush = OFF

Remove (4) Screws and Back Cover to Access Switches.

**\*Available Water Flow Control Selections:**

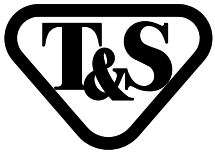
- Auto Time Out: 15 sec, 30 sec, 45 sec, 60 sec, 3 min, 20 min
- Shut Off Delay: 1 sec, 10 sec, 15 sec, 30 sec
- Auto Flush (30 Seconds After Every 12 Inactive Hours): ON or OFF

**Product Specifications:**

Chrome Plated Brass Electronic Faucet: Deck Mount Rigid Gooseneck w/ VR Aerator, AC/DC Control Module w/ Internal Flow Control Setting Switches, Temperature Control Mixing Valve w/ Integral Check Valves, 18" Long Hot & Cold Supply Stop Flexible Connector Hoses

**Product Compliance:**

ASME A112.18.1 / CSA B125.1  
NSF 61 - Section 9  
NSF 372 (Low Lead Content)  
ANSI A117.1 (ADA)  
UL 1951



# T&S BRASS AND BRONZE WORKS, INC.

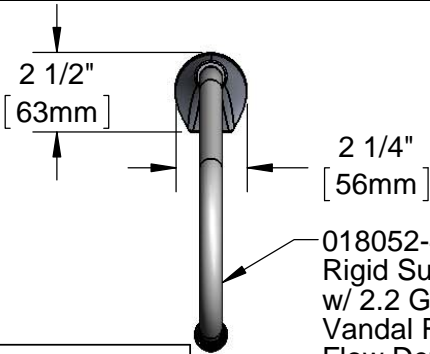
2 Saddleback Cove / P.O. Box 1088  
Travelers Rest, SC 29690

Model No.

**EC-3100-LF22-SB**

Item No.

Travelers Rest, SC: 800-476-4103 • Simi Valley, CA: 800-423-0150 • Fax: 864-834-3518 • www.tsbrass.com



**ADA Compliant**



018052-40  
Rigid Surgical Bend Nozzle  
w/ 2.2 GPM [8.3 L/min]  
Vandal Resistant Laminar  
Flow Device.

This Space for Architect/Engineer Approval

Job Name \_\_\_\_\_ Date \_\_\_\_\_

Model Specified \_\_\_\_\_ Quantity \_\_\_\_\_

Customer/Wholesaler \_\_\_\_\_

Contractor \_\_\_\_\_

Architect/Engineer \_\_\_\_\_

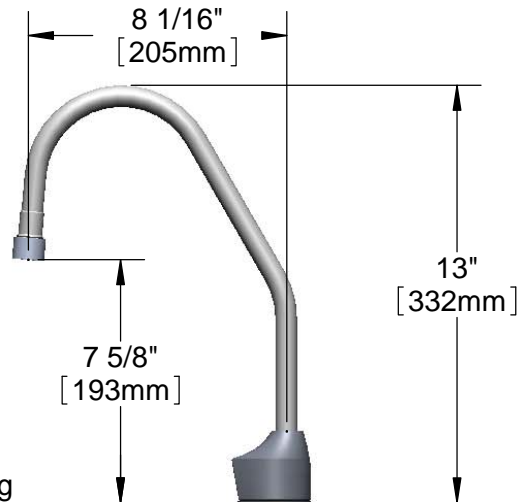
Available Outlet  
Option B-0103-F  
Series Flow Control  
Rosespray Outlet

3 5/8" x 4 3/16" x 2" Deep  
[92mm x 106mm x 51mm]  
Water Resistant Control  
Module Box (Blue) w/  
Internal Flow Control  
Setting Switches, AC or  
DC operated w/ (4) AA  
Batteries. Hardwire Capable  
using Terminals on Back

24" [610mm]  
Sensor Cable

Removable  
Strainer

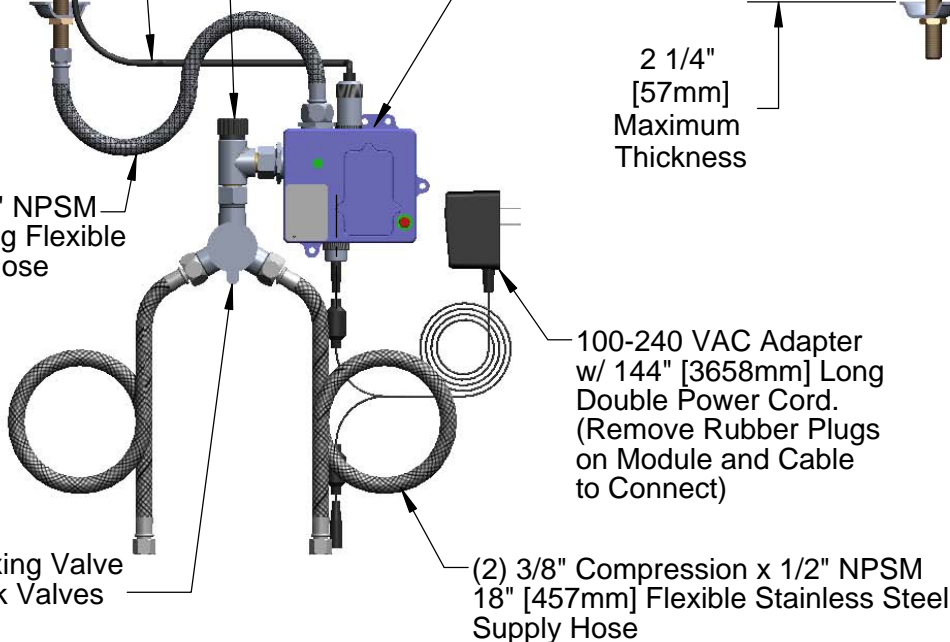
Mounting  
Surface



2 1/4"  
[57mm]  
Maximum  
Thickness

Ø 1/8" [3mm]  
Anti-rotation  
Pin. Remove  
Pin if Desired.  
(See Mounting  
Hole Detail)

1/2" NPSM x 1/4" NPSM  
18" [457mm] Long Flexible  
Stainless Steel Hose

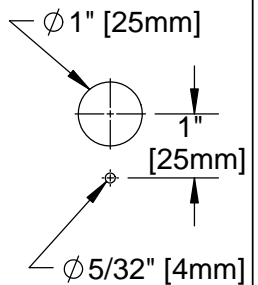


Temperature Mixing Valve  
w/ Integral Check Valves

100-240 VAC Adapter  
w/ 144" [3658mm] Long  
Double Power Cord.  
(Remove Rubber Plugs  
on Module and Cable  
to Connect)

(2) 3/8" Compression x 1/2" NPSM  
18" [457mm] Flexible Stainless Steel  
Supply Hose

Mounting Hole  
Detail



**Product Specifications:**

Chrome Plated Brass Electronic Faucet: Deck Mount Rigid Surgical Bend Nozzle w/ VR Laminar Flow Device, AC/DC Control Module with Internal Flow Control Setting Switches, Temperature Control Mixing Valve w/ Integral Check Valves & 18" Long Hot & Cold Supply Hoses

**Product Compliance:**

ASME A112.18.1 / CSA B125.1  
NSF 61 - Section 9  
NSF 372 (Low Lead Content)  
ANSI A117.1 (ADA)  
UL 1951



# T&S BRASS AND BRONZE WORKS, INC.

2 Saddleback Cove / P.O. Box 1088  
Travelers Rest, SC 29690

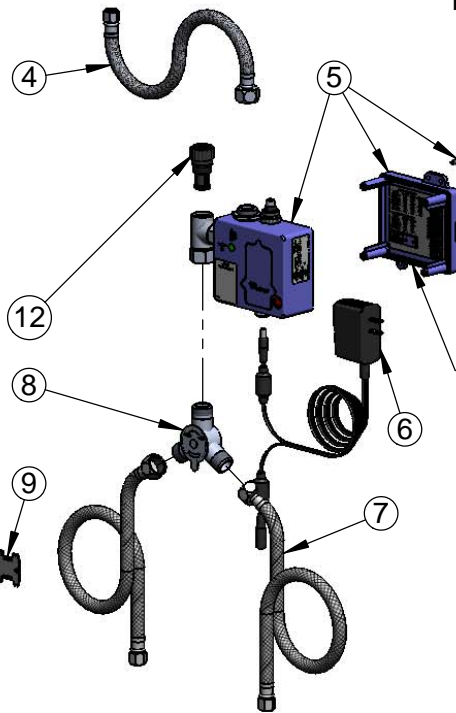
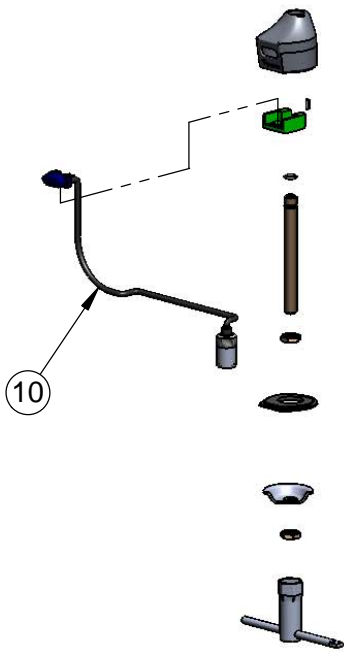
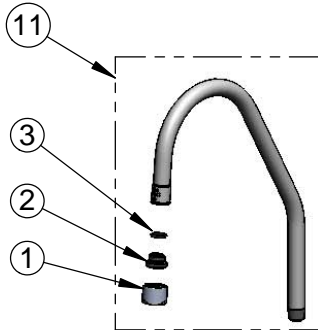
Model No.

**EC-3100-LF22-SB**

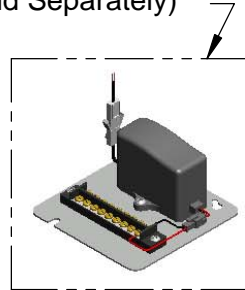
Item No.

Travelers Rest, SC: 800-476-4103 • Simi Valley, CA: 800-423-0150 • Fax: 864-834-3518 • www.tsbrass.com

ITEM NO.	SALES NO.	DESCRIPTION
1	B-0199-21-VRF	VR Device, 2.2 GPM, Laminar Flow, 55/64-27
2	044A	3/8" to Aerator Adapter
3	006575-45	-015 O-Ring
4	016297-45	Inlet Hose, Faucet, 1/2" NPSM-F x 1/4" NPSM-F
5	016647-45	ChekPoint Module (Blue)
6	5EF-0002	A/C Transformer
7	5EF-0005	Supply Hose, 9/16-24 Female x 1/2" NPSM
8	5EF-0006	Mechanical Mixing Valve
9	015425-45	Vandal Resistant Key
10	017195-45	Angled Sensor w/ Cable
11	018052-40	Rigid Surgical Bend Nozzle w/ 2.2 VR Laminar Flow Device
12	EC-FILTER	Replacement Filter



A Maximum of (8) ChekPoint Faucets can be Hardwire Connected and Powered by EC-HARDWIRE ChekPoint Hardwire AC Transformer. (Sold Separately)



Label for Flow Control Switch Settings is Located on Inside of Back Cover.

Flow Control Switches are Located Inside Module Housing in Black Box Next to Battery Compartment.  
\*Switches are Set to DEFAULT Position:  
- Auto Time Out = 15 Seconds  
- Shut Off Delay = 1 Second  
- Auto Flush = OFF

Remove (4) Screws and Back Cover to Access Switches.

**\*Available Water Flow Control Selections:**

- Auto Time Out: 15 sec, 30 sec, 45 sec, 60 sec, 3 min, 20 min
- Shut Off Delay: 1 sec, 10 sec, 15 sec, 30 sec
- Auto Flush (30 Seconds After Every 12 Inactive Hours): ON or OFF

**Product Specifications:**

Chrome Plated Brass Electronic Faucet: Deck Mount Rigid Surgical Bend Nozzle w/ VR Laminar Flow Device, AC/DC Control Module with Internal Flow Control Setting Switches, Temperature Control Mixing Valve w/ Integral Check Valves & 18" Long Hot & Cold Supply Hoses

**Product Compliance:**

ASME A112.18.1 / CSA B125.1  
NSF 61 - Section 9  
NSF 372 (Low Lead Content)  
ANSI A117.1 (ADA)  
UL 1951





# T&S BRASS AND BRONZE WORKS, INC.

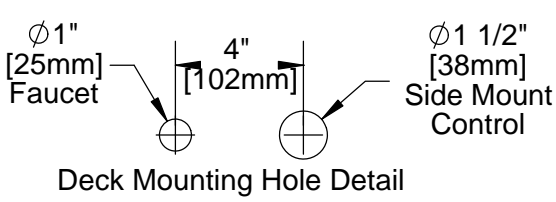
2 Saddleback Cove / P.O. Box 1088  
Travelers Rest, SC 29690

Model No.

**EC-3100-SM**

Item No.

Travelers Rest, SC: 800-476-4103 • Simi Valley, CA: 800-423-0150 • Fax: 864-834-3518 • www.tsbrass.com



This Space for Architect/Engineer Approval

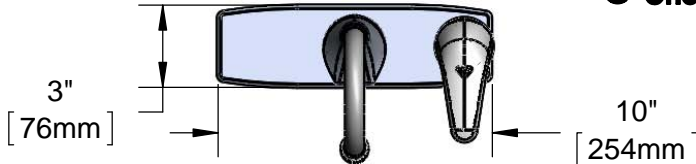
Job Name \_\_\_\_\_ Date \_\_\_\_\_

Model Specified \_\_\_\_\_ Quantity \_\_\_\_\_

Customer/Wholesaler \_\_\_\_\_

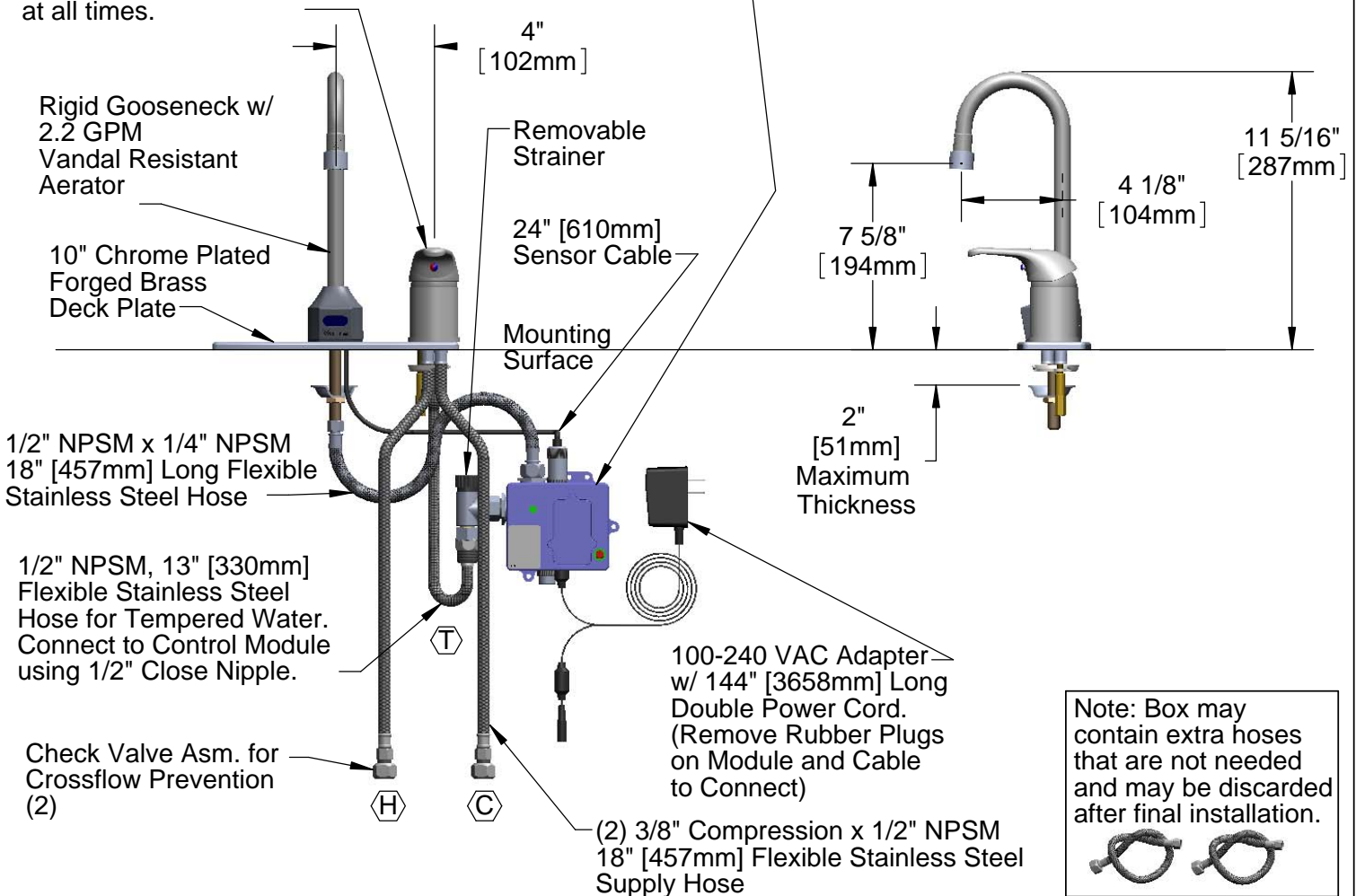
Contractor \_\_\_\_\_

Architect/Engineer \_\_\_\_\_



B-2740 Side Mount Control regulates Water Temperature and ON/OFF Setting.  
 Note: To ensure proper operation of Sensor Faucet, Side Mount Control should remain in the OPEN position at all times.

3 5/8" x 4 3/16" x 2" Deep  
 Water Resistant Control Module Box (Blue)  
 w/ Internal Flow Control Setting Switches,  
 AC or DC operated w/ (4) AA Batteries.  
 Hardwire Capable using Terminals on Back



### Product Specifications:

Chrome Plated Brass Electronic Faucet: Deck Mount Rigid Gooseneck w/ VR Aerator, Side Mount Temperature Control, AC/DC Control Module w/ Internal Flow Control Switches, 17" Long Hot & Cold Supply Hoses w/ Check Valve Assemblies

### Product Compliance:

ASME A112.18.1 / CSA B125.1  
 NSF 61 - Section 9  
 NSF 372 (Low Lead Content)  
 ANSI A117.1 (ADA)  
 UL 1951



# T&S BRASS AND BRONZE WORKS, INC.

2 Saddleback Cove / P.O. Box 1088  
Travelers Rest, SC 29690

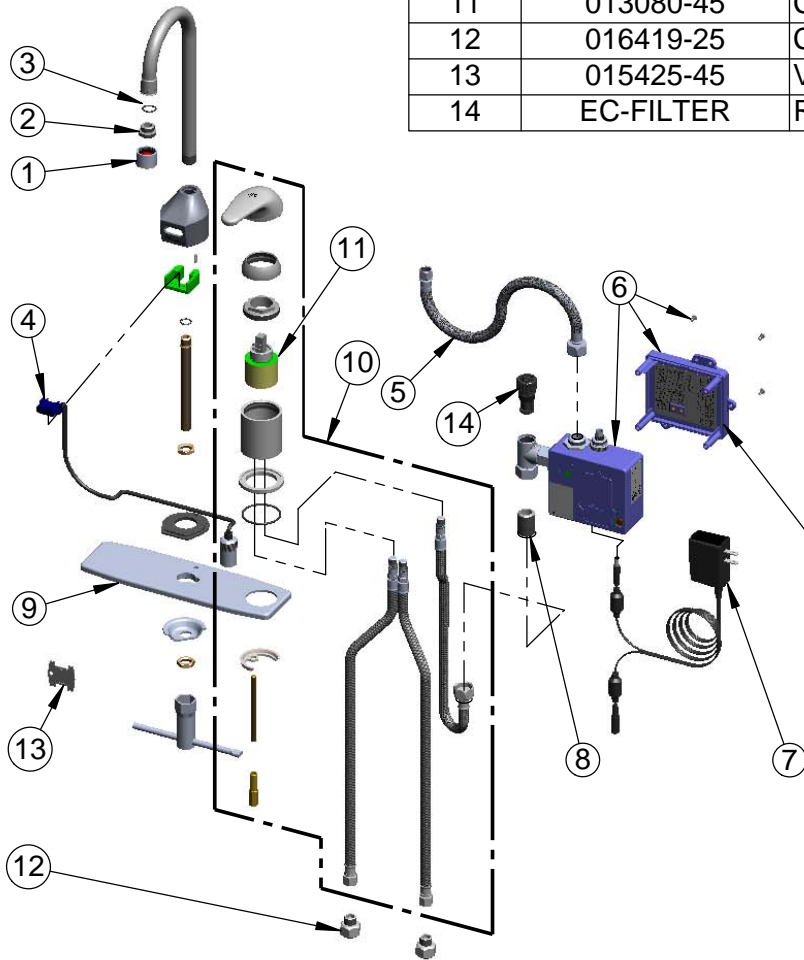
Model No.

**EC-3100-SM**

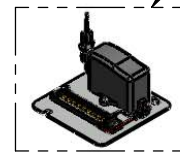
Item No.

Travelers Rest, SC: 800-476-4103 • Simi Valley, CA: 800-423-0150 • Fax: 864-834-3518 • www.tsbrass.com

ITEM NO.	SALES NO.	DESCRIPTION
1	B-0199-06	VR Aerator w/ Key
2	044A	3/8" to Aerator Adapter
3	006575-45	-015 O-Ring
4	017195-45	Angled Sensor w/ Cable
5	016297-45	Inlet Hose, Faucet, 1/2" NPSM-F x 1/4" NPSM-F
6	016647-45	ChekPoint Module (Blue)
7	5EF-0002	Double Gang, Plug-in AC Transformer
8	002534-25	Close Nipple, 1/2" NPT
9	015084-40	10" Deck Plate w/ Side Mount Hole
10	B-2740	Side Mount Control w/ Hoses & Ceramic Crtg
11	013080-45	Ceramic Cartridge, B-2730
12	016419-25	CV Asm, 3/8" Comp-F x 3/8" Comp-M
13	015425-45	Vandal Resistant Key
14	EC-FILTER	Replacement Filter



A Maximum of (8) ChekPoint Faucets can be Hardwire Connected and Powered by EC-HARDWIRE ChekPoint Hardwire AC Transformer. (Sold Separately)



Label for Flow Control Switch Settings is Located on Inside of Back Cover.

Flow Control Switches are Located Inside Module Housing in Black Box Next to Battery Compartment.

\*Switches are Set to DEFAULT Position:

- Auto Time Out = 15 Seconds
- Shut Off Delay = 1 Second
- Auto Flush = OFF

Remove (4) Screws and Back Cover to Access Switches.

**\*Available Water Flow Control Selections:**

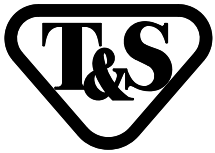
- Auto Time Out: 15 sec, 30 sec, 45 sec, 60 sec, 3 min, 20 min
- Shut Off Delay: 1 sec, 10 sec, 15 sec, 30 sec
- Auto Flush (30 Seconds After Every 12 Inactive Hours): ON or OFF

**Product Specifications:**

Chrome Plated Brass Electronic Faucet: Deck Mount Rigid Gooseneck w/ VR Aerator, Side Mount Temperature Control, AC/DC Control Module w/ Internal Flow Control Switches, 17" Long Hot & Cold Supply Hoses w/ Check Valve Assemblies

**Product Compliance:**

ASME A112.18.1 / CSA B125.1  
NSF 61 - Section 9  
NSF 372 (Low Lead Content)  
ANSI A117.1 (ADA)  
UL 1951



# T&S BRASS AND BRONZE WORKS, INC.

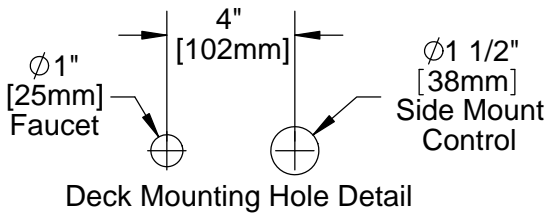
2 Saddleback Cove / P.O. Box 1088  
Travelers Rest, SC 29690

Model No.

**EC-3100-SM-4DP**

Item No.

Travelers Rest, SC: 800-476-4103 • Simi Valley, CA: 800-423-0150 • Fax: 864-834-3518 • www.tsbrass.com



This Space for Architect/Engineer Approval

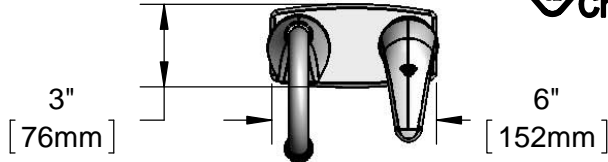
Job Name \_\_\_\_\_ Date \_\_\_\_\_

Model Specified \_\_\_\_\_ Quantity \_\_\_\_\_

Customer/Wholesaler \_\_\_\_\_

Contractor \_\_\_\_\_

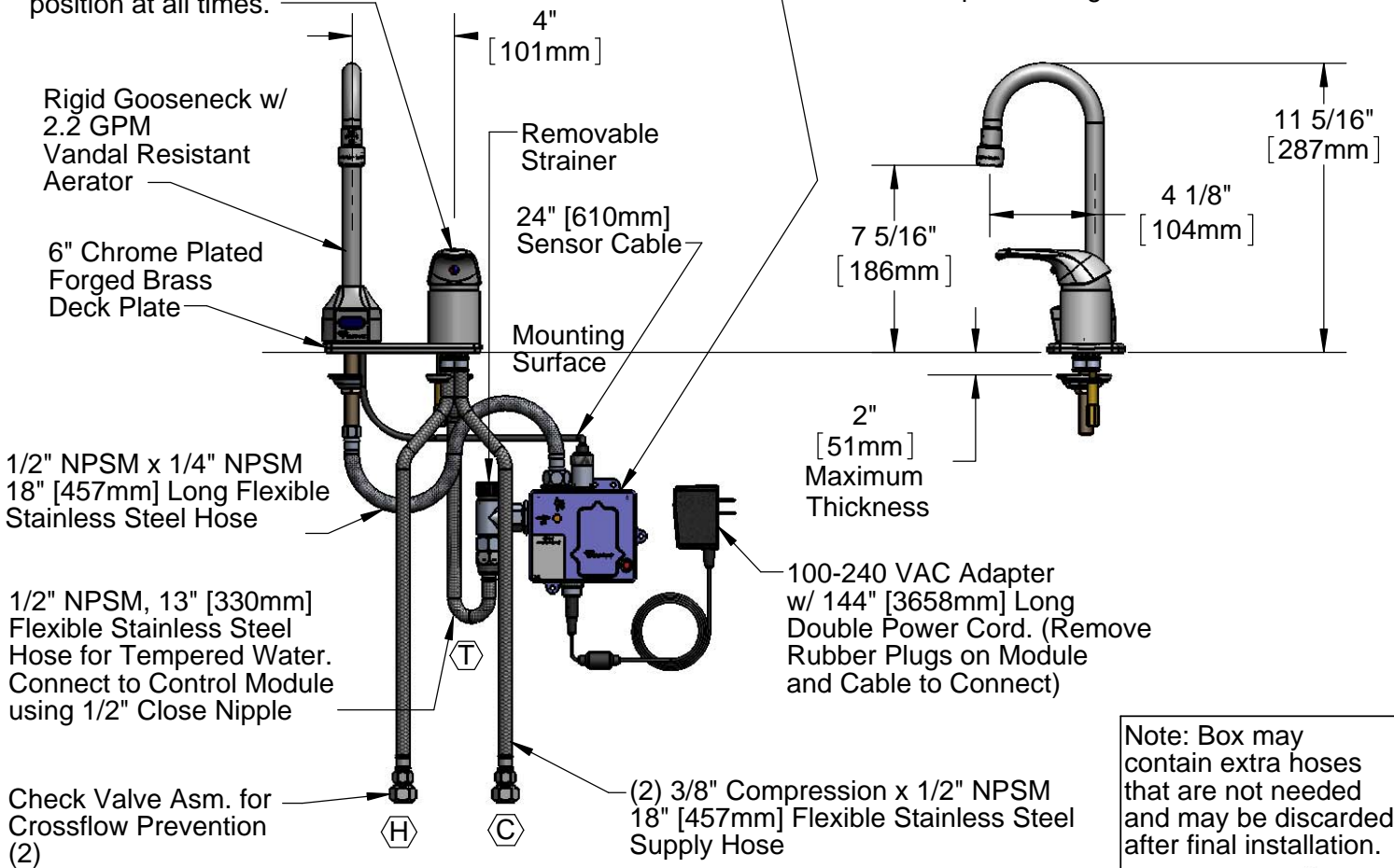
Architect/Engineer \_\_\_\_\_



B-2740 Side Mount Control regulates Water Temperature and ON/OFF Setting.

Note: To ensure proper operation of Sensor Faucet, Side Mount Control should remain in the OPEN position at all times.

3 5/8" x 4 3/16" x 2" Deep  
[92mm x 106mm x 51mm]  
Water Resistant Control Module Box (Blue)  
w/ Internal Flow Control Setting Switches,  
AC or DC operated w/ (4) AA Batteries.  
Hardwire Capable using Terminals on Back



Note: Box may contain extra hoses that are not needed and may be discarded after final installation.



### Product Specifications:

Chrome Plated Brass Electronic Faucet: Deck Mount Rigid Gooseneck w/ VR Aerator, Side Mount Temperature Control, AC/DC Control Module w/ Internal Flow Control Switches, 17" Long Hot & Cold Supply Hoses w/ Check Valve Assemblies

### Product Compliance:

ASME A112.18.1 / CSA B125.1  
NSF 61 - Section 9  
NSF 372 (Low Lead Content)  
ANSI A117.1 (ADA)  
UL 1951



# T&S BRASS AND BRONZE WORKS, INC.

2 Saddleback Cove / P.O. Box 1088  
Travelers Rest, SC 29690

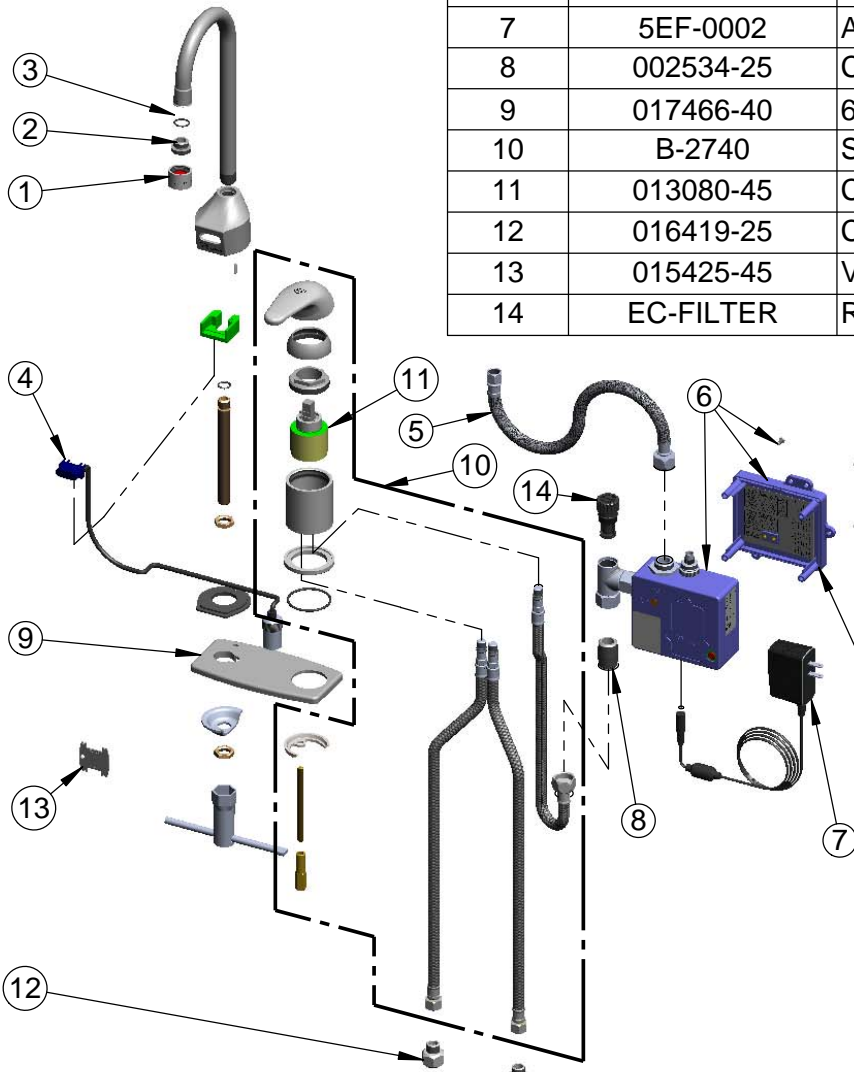
Model No.

**EC-3100-SM-4DP**

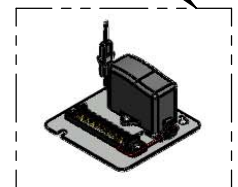
Item No.

Travelers Rest, SC: 800-476-4103 • Simi Valley, CA: 800-423-0150 • Fax: 864-834-3518 • www.tsbrass.com

ITEM NO.	SALES NO.	DESCRIPTION
1	B-0199-06	VR 2.2 GPM Aerator, 55/64-27 UN Female w/ Key
2	044A	3/8" to Aerator Adapter
3	006575-45	-015 O-Ring
4	017195-45	Angled Sensor w/ Cable
5	016297-45	Inlet Hose, Faucet, 1/2" NPSM-F x 1/4" NPSM-F
6	016647-45	ChekPoint Module (Blue)
7	5EF-0002	A/C Transformer
8	002534-25	Close Nipple, 1/2" NPT
9	017466-40	6" Deck Plate w/ Side Mount Hole
10	B-2740	Side Mount Control w/ Hoses & Ceramic Crtg
11	013080-45	Ceramic Cartridge, B-2730
12	016419-25	CV Asm, 3/8" Comp-F x 3/8" Comp-M
13	015425-45	Vandal Resistant Key
14	EC-FILTER	Replacement Filter



A Maximum of (8) ChekPoint Faucets can be Hardwire Connected and Powered by EC-HARDWIRE ChekPoint Hardwire AC Transformer. (Sold Separately)



Label for Flow Control Switch Settings is Located on Inside of Back Cover.

Flow Control Switches are Located Inside Module Housing in Black Box Next to Battery Compartment.  
\*Switches are Set to DEFAULT Position:  
- Auto Time Out = 15 Seconds  
- Shut Off Delay = 1 Second  
- Auto Flush = OFF

Remove (4) Screws and Back Cover to Access Switches.

**\*Available Water Flow Control Selections:**

- Auto Time Out: 15 sec, 30 sec, 45 sec, 60 sec, 3 min, 20 min
- Shut Off Delay: 1 sec, 10 sec, 15 sec, 30 sec
- Auto Flush (30 Seconds After Every 12 Inactive Hours): ON or OFF

**Product Specifications:**

Chrome Plated Brass Electronic Faucet: Deck Mount Rigid Gooseneck w/ VR Aerator, Side Mount Temperature Control, AC/DC Control Module w/ Internal Flow Control Switches, 17" Long Hot & Cold Supply Hoses w/ Check Valve Assemblies

**Product Compliance:**

ASME A112.18.1 / CSA B125.1  
NSF 61 - Section 9  
NSF 372 (Low Lead Content)  
ANSI A117.1 (ADA)  
UL 1951



# T&S BRASS AND BRONZE WORKS, INC.

2 Saddleback Cove / P.O. Box 1088  
Travelers Rest, SC 29690

Model No.  
**EC-3100-SMT8V05**

Item No.

Travelers Rest, SC: 800-476-4103 • Simi Valley, CA: 800-423-0150 • Fax: 864-834-3518 • www.tsbrass.com



**ADA Compliant**



This Space for Architect/Engineer Approval

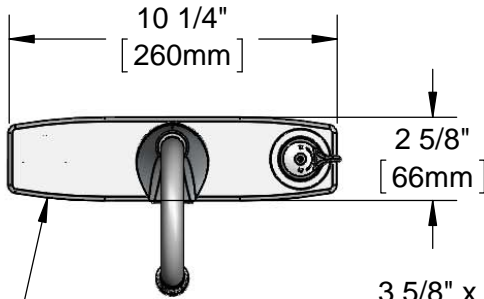
Job Name \_\_\_\_\_ Date \_\_\_\_\_

Model Specified \_\_\_\_\_ Quantity \_\_\_\_\_

Customer/Wholesaler \_\_\_\_\_

Contractor \_\_\_\_\_

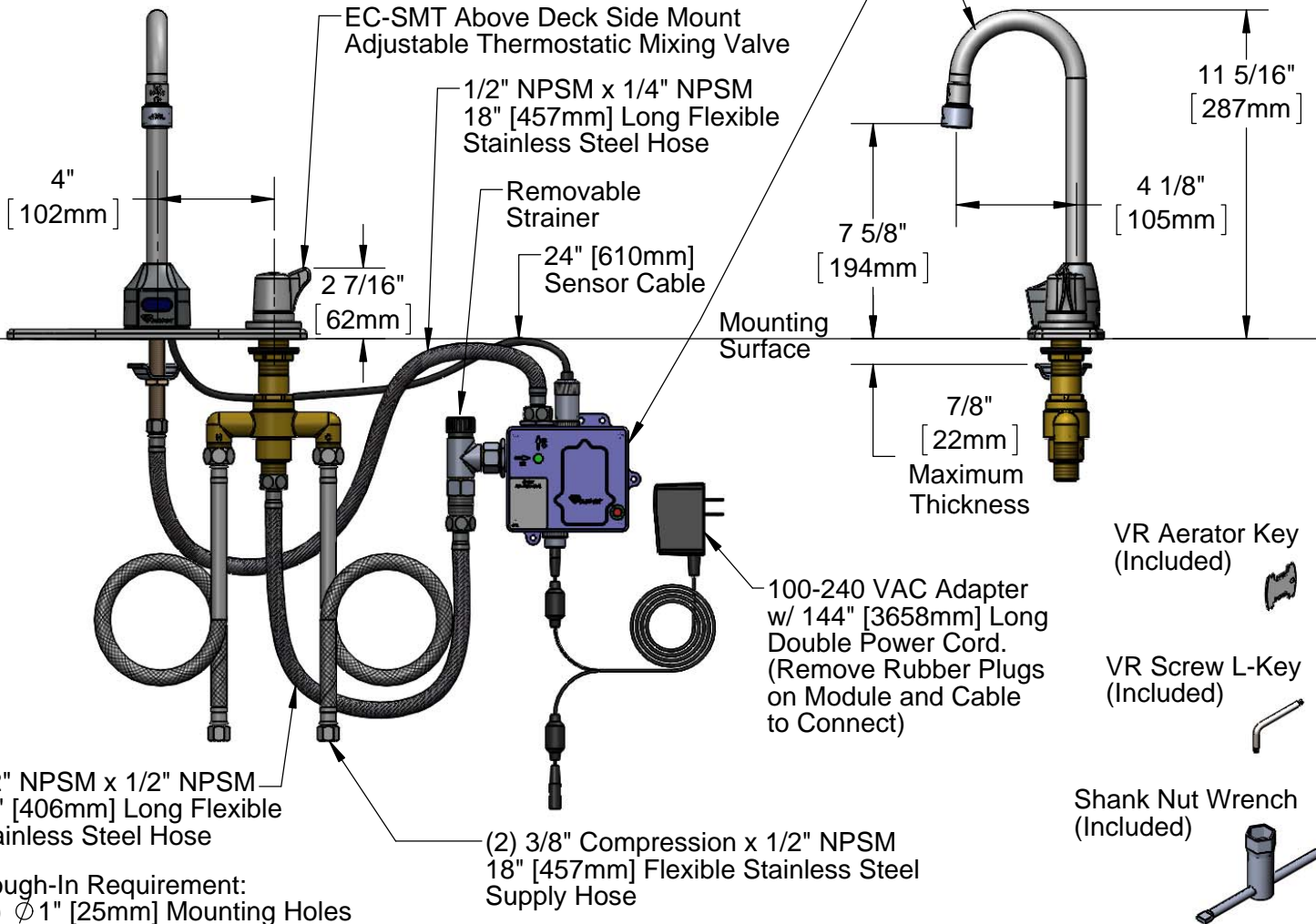
Architect/Engineer \_\_\_\_\_



Chrome Plated  
Die Cast Deck Plate

3 5/8" x 4 3/16" x 2" Deep  
[92mm x 106mm x 51mm]  
Water Resistant Control Module Box (Blue)  
w/ Internal Flow Control Setting Switches,  
AC or DC Operated w/ (4) AA Batteries.  
Hardwire Capable Using Terminals on Back

Rigid Gooseneck w/  
B-0199-06-N05,  
0.5 GPM VR Spray Device



**Product Specifications:**

Chrome Plated Brass Electronic Faucet: Deck Mount Rigid Gooseneck w/ 8" Centers Deck Plate, Above Deck Side Mount Adjustable Thermostatic Mixing Valve w/ Integral Check Valves, 0.5 GPM VR Spray Device, AC/DC Control Module with Internal Flow Control Setting Switches, 18" Long Flexible Supply Hoses

**Product Compliance:**

ASME A112.18.1 / CSA B125.1  
NSF 61 - Section 9  
NSF 372 (Low Lead Content)  
ANSI A117.1 (ADA)  
UL 1951  
ASSE 1070 (TMV)



# T&S BRASS AND BRONZE WORKS, INC.

2 Saddleback Cove / P.O. Box 1088  
Travelers Rest, SC 29690

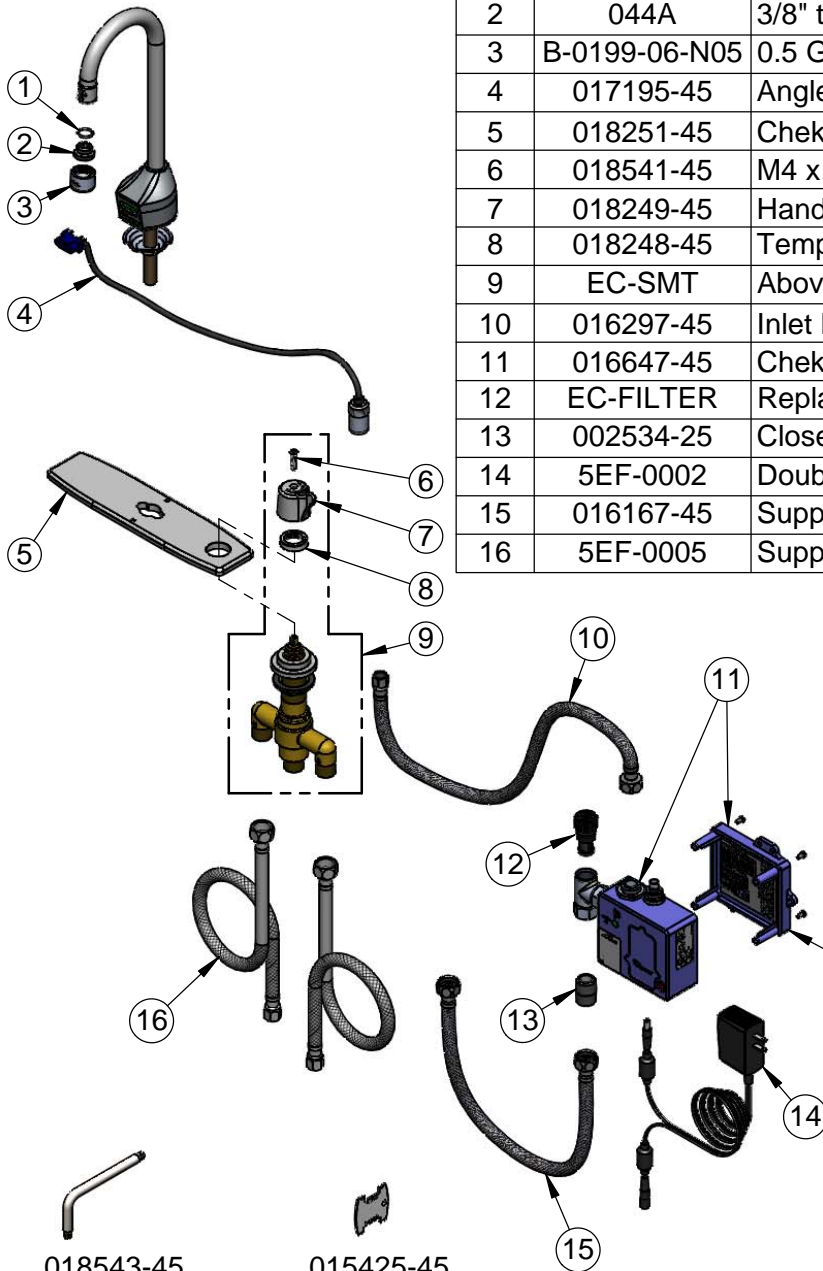
Model No.

**EC-3100-SMT8V05**

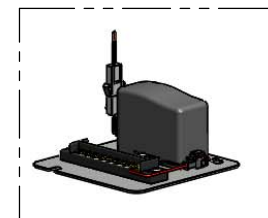
Item No.

Travelers Rest, SC: 800-476-4103 • Simi Valley, CA: 800-423-0150 • Fax: 864-834-3518 • www.tsbrass.com

ITEM NO.	SALES NO.	DESCRIPTION
1	006575-45	O-Ring
2	044A	3/8" to Aerator Adapter
3	B-0199-06-N05	0.5 GPM VR Spray Device, 55/64-27 Female
4	017195-45	Angled Sensor w/ Cable
5	018251-45	ChekPoint 8" C-C SMT Deck Plate
6	018541-45	M4 x 20mm, SS, Torx VR FH Screw
7	018249-45	Handle
8	018248-45	Temperature Limit Stop
9	EC-SMT	Above Deck Thermostatic Mixing Valve w/ Handle
10	016297-45	Inlet Hose, Faucet, 1/2" NPSM-F x 1/4" NPSM-F
11	016647-45	ChekPoint Module (Blue)
12	EC-FILTER	Replacement Filter
13	002534-25	Close Nipple, 1/2" NPT
14	5EF-0002	Double Gang, Plug-in AC Transformer
15	016167-45	Supply Hose, 1/2" NPSM Female x 1/2" NPSM Female
16	5EF-0005	Supply Hose, 9/16-24 Female x 1/2" NPSM



A Maximum of (8) ChekPoint Faucets can be Hardwire Connected and Powered by EC-HARDWIRE ChekPoint Hardwire AC Transformer. (Sold Separately)



Label for Flow Control Switch Settings is Located on Inside of Back Cover.

Flow Control Switches are Located Inside Module Housing in Black Box Next to Battery Compartment.  
\*Switches are Set to DEFAULT Position:  
- Auto Time Out = 15 Seconds  
- Shut Off Delay = 1 Second  
- Auto Flush = OFF

Remove (4) Screws and Back Cover to Access Switches.

\*Available Water Flow Control Selections:

- Auto Time Out: 15 sec, 30 sec, 45 sec, 60 sec, 3 min, 20 min
- Shut Off Delay: 1 sec, 10 sec, 15 sec, 30 sec
- Auto Flush (30 Seconds After Every 12 Inactive Hours): ON or OFF

**Product Specifications:**

Chrome Plated Brass Electronic Faucet: Deck Mount Rigid Gooseneck w/ 8" Centers Deck Plate, Above Deck Side Mount Adjustable Thermostatic Mixing Valve w/ Integral Check Valves, 0.5 GPM VR Spray Device, AC/DC Control Module with Internal Flow Control Setting Switches, 18" Long Flexible Supply Hoses

**Product Compliance:**

ASME A112.18.1 / CSA B125.1  
NSF 61 - Section 9  
NSF 372 (Low Lead Content)  
ANSI A117.1 (ADA)  
UL 1951  
ASSE 1070 (TMV)



# T&S BRASS AND BRONZE WORKS, INC.

2 Saddleback Cove / P.O. Box 1088  
Travelers Rest, SC 29690

Model No.  
**EC-3100-SMT4V05**

Item No.

Travelers Rest, SC: 800-476-4103 • Simi Valley, CA: 800-423-0150 • Fax: 864-834-3518 • www.tsbrass.com



**ADA Compliant**



This Space for Architect/Engineer Approval

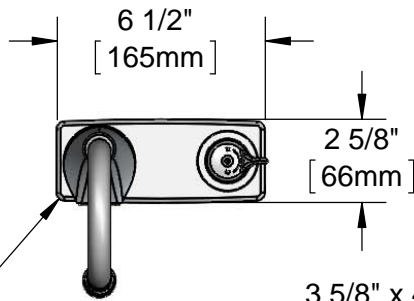
Job Name \_\_\_\_\_ Date \_\_\_\_\_

Model Specified \_\_\_\_\_ Quantity \_\_\_\_\_

Customer/Wholesaler \_\_\_\_\_

Contractor \_\_\_\_\_

Architect/Engineer \_\_\_\_\_



Chrome Plated  
Die Cast Deck Plate

3 5/8" x 4 3/16" x 2" Deep  
[92mm x 106mm x 51mm]  
Water Resistant Control Module Box (Blue)  
w/ Internal Flow Control Setting Switches,  
AC or DC Operated w/ (4) AA Batteries.  
Hardwire Capable Using Terminals on Back

Rigid Gooseneck w/  
B-0199-06-N05,  
0.5 GPM VR Spray Device

EC-SMT Above Deck Side Mount  
Adjustable Thermostatic Mixing Valve

1/2" NPSM x 1/4" NPSM  
18" [457mm] Long Flexible  
Stainless Steel Hose

4"  
[102mm]

2 7/16"  
[62mm]

Removable  
Strainer  
24" [610mm]  
Sensor Cable

7 5/8"  
[194mm]

11 5/16"  
[287mm]

4 1/8"  
[105mm]

Mounting  
Surface

7/8"  
[22mm]  
Maximum  
Thickness

VR Aerator Key  
(Included)

VR Screw L-Key  
(Included)

Shank Nut Wrench  
(Included)

100-240 VAC Adapter  
w/ 144" [3658mm] Long  
Double Power Cord.  
(Remove Rubber Plugs  
on Module and Cable  
to Connect)

1/2" NPSM x 1/2" NPSM  
16" [406mm] Long Flexible  
Stainless Steel Hose

(2) 3/8" Compression x 1/2" NPSM  
18" [457mm] Flexible Stainless Steel  
Supply Hose

Rough-In Requirement:  
(2)  $\phi$  1" [25mm] Mounting Holes

### Product Specifications:

Chrome Plated Brass Electronic Faucet: Deck Mount Rigid Gooseneck w/ 4" Centers Deck Plate, Above Deck Side Mount Adjustable Thermostatic Mixing Valve w/ Integral Check Valves, 0.5 GPM VR Spray Device, AC/DC Control Module with Internal Flow Control Setting Switches, 18" Long Flexible Supply Hoses

### Product Compliance:

ASME A112.18.1 / CSA B125.1  
NSF 61 - Section 9  
NSF 372 (Low Lead Content)  
ANSI A117.1 (ADA)  
UL 1951  
ASSE 1070 (TMV)



# T&S BRASS AND BRONZE WORKS, INC.

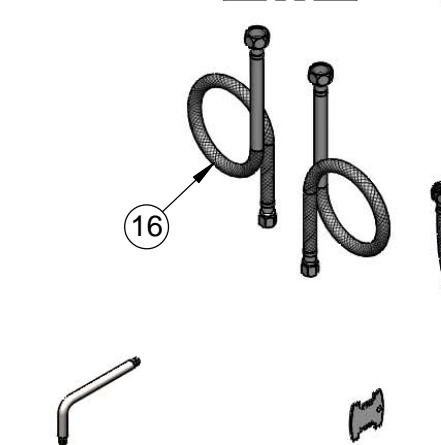
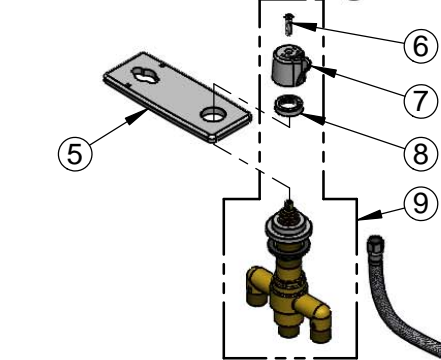
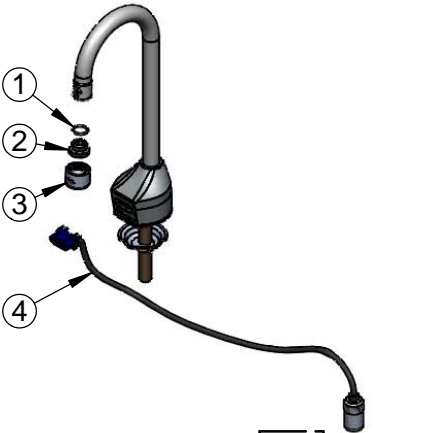
2 Saddleback Cove / P.O. Box 1088  
Travelers Rest, SC 29690

Model No.

**EC-3100-SMT4V05**

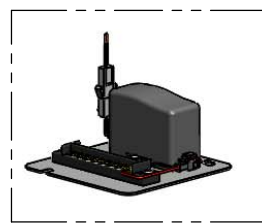
Item No.

Travelers Rest, SC: 800-476-4103 • Simi Valley, CA: 800-423-0150 • Fax: 864-834-3518 • www.tsbrass.com



ITEM NO.	SALES NO.	DESCRIPTION
1	006575-45	O-Ring
2	044A	3/8" to Aerator Adapter
3	B-0199-06-N05	0.5 GPM VR Spray Device, 55/64-27 Female
4	017195-45	Angled Sensor w/ Cable
5	018250-45	ChekPoint 4" C-C SMT Deck Plate
6	018541-45	M4 x 20mm, SS, Torx VR FH Screw
7	018249-45	Handle
8	018248-45	Temperature Limit Stop
9	EC-SMT	Above Deck Thermostatic Mixing Valve w/ Handle
10	016297-45	Inlet Hose, Faucet, 1/2" NPSM-F x 1/4" NPSM-F
11	016647-45	ChekPoint Module (Blue)
12	EC-FILTER	Replacement Filter
13	002534-25	Close Nipple, 1/2" NPT
14	5EF-0002	Double Gang, Plug-in AC Transformer
15	016167-45	Supply Hose, 1/2" NPSM Female x 1/2" NPSM Female
16	5EF-0005	Supply Hose, 9/16-24 Female x 1/2" NPSM

A Maximum of (8) ChekPoint Faucets can be Hardwire Connected and Powered by EC-HARDWIRE ChekPoint Hardwire AC Transformer. (Sold Separately)



Label for Flow Control Switch Settings is Located on Inside of Back Cover.

Flow Control Switches are Located Inside Module Housing in Black Box Next to Battery Compartment.  
\*Switches are Set to DEFAULT Position:  
- Auto Time Out = 15 Seconds  
- Shut Off Delay = 1 Second  
- Auto Flush = OFF

Remove (4) Screws and Back Cover to Access Switches.

\*Available Water Flow Control Selections:  
- Auto Time Out: 15 sec, 30 sec, 45 sec, 60 sec, 3 min, 20 min  
- Shut Off Delay: 1 sec, 10 sec, 15 sec, 30 sec  
- Auto Flush (30 Seconds After Every 12 Inactive Hours): ON or OFF

Product Specifications:  
Chrome Plated Brass Electronic Faucet: Deck Mount Rigid Gooseneck w/ 4" Centers Deck Plate, Above Deck Side Mount Adjustable Thermostatic Mixing Valve w/ Integral Check Valves, 0.5 GPM VR Spray Device, AC/DC Control Module with Internal Flow Control Setting Switches, 18" Long Flexible Supply Hoses

Product Compliance:  
ASME A112.18.1 / CSA B125.1  
NSF 61 - Section 9  
NSF 372 (Low Lead Content)  
ANSI A117.1 (ADA)  
UL 1951  
ASSE 1070 (TMV)





# T&S BRASS AND BRONZE WORKS, INC.

2 Saddleback Cove / P.O. Box 1088  
Travelers Rest, SC 29690

Model No.

**EC-3100-SMT4**

Item No.

Travelers Rest, SC: 800-476-4103 • Simi Valley, CA: 800-423-0150 • Fax: 864-834-3518 • www.tsbrass.com



**ADA Compliant**



This Space for Architect/Engineer Approval

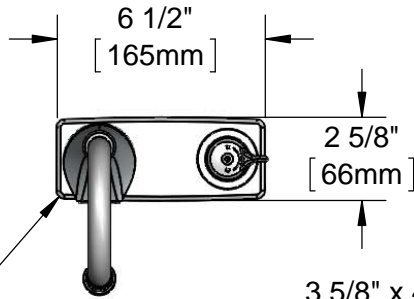
Job Name \_\_\_\_\_ Date \_\_\_\_\_

Model Specified \_\_\_\_\_ Quantity \_\_\_\_\_

Customer/Wholesaler \_\_\_\_\_

Contractor \_\_\_\_\_

Architect/Engineer \_\_\_\_\_



Chrome Plated  
Die Cast Deck Plate

3 5/8" x 4 3/16" x 2" Deep  
[92mm x 106mm x 51mm]  
Water Resistant Control Module Box (Blue)  
w/ Internal Flow Control Setting Switches,  
AC or DC Operated w/ (4) AA Batteries.  
Hardwire Capable Using Terminals on Back

Rigid Gooseneck w/  
B-0199-06, 2.2 GPM  
Vandal Resistant Aerator

EC-SMT Above Deck Side Mount  
Adjustable Thermostatic Mixing Valve

1/2" NPSM x 1/4" NPSM  
18" [457mm] Long Flexible  
Stainless Steel Hose

4"  
[102mm]

2 7/16"  
[62mm]

Removable  
Strainer

24" [610mm]  
Sensor Cable

7 5/8"  
[194mm]

11 5/16"  
[287mm]

4 1/8"  
[105mm]

Mounting  
Surface

7/8"  
[22mm]  
Maximum  
Thickness

100-240 VAC Adapter  
w/ 144" [3658mm] Long  
Double Power Cord.  
(Remove Rubber Plugs  
on Module and Cable  
to Connect)

VR Aerator Key  
(Included)

VR Screw L-Key  
(Included)

Shank Nut Wrench  
(Included)

1/2" NPSM x 1/2" NPSM  
16" [406mm] Long Flexible  
Stainless Steel Hose

(2) 3/8" Compression x 1/2" NPSM  
18" [457mm] Flexible Stainless Steel  
Supply Hose

Rough-In Requirement:  
(2)  $\phi$  1" [25mm] Mounting Holes

### Product Specifications:

Chrome Plated Brass Electronic Faucet: Deck Mount Rigid Gooseneck w/ 4" Centers Deck Plate, Above Deck Side Mount Adjustable Thermostatic Mixing Valve w/ Integral Check Valves, AC/DC Control Module with Internal Flow Control Setting Switches, 18" Long Hot & Cold Supply Stop Flexible Connector Hoses

### Product Compliance:

ASME A112.18.1 / CSA B125.1  
NSF 61 - Section 9  
NSF 372 (Low Lead Content)  
ANSI A117.1 (ADA)  
UL 1951  
ASSE 1070 (TMV)



# T&S BRASS AND BRONZE WORKS, INC.

2 Saddleback Cove / P.O. Box 1088  
Travelers Rest, SC 29690

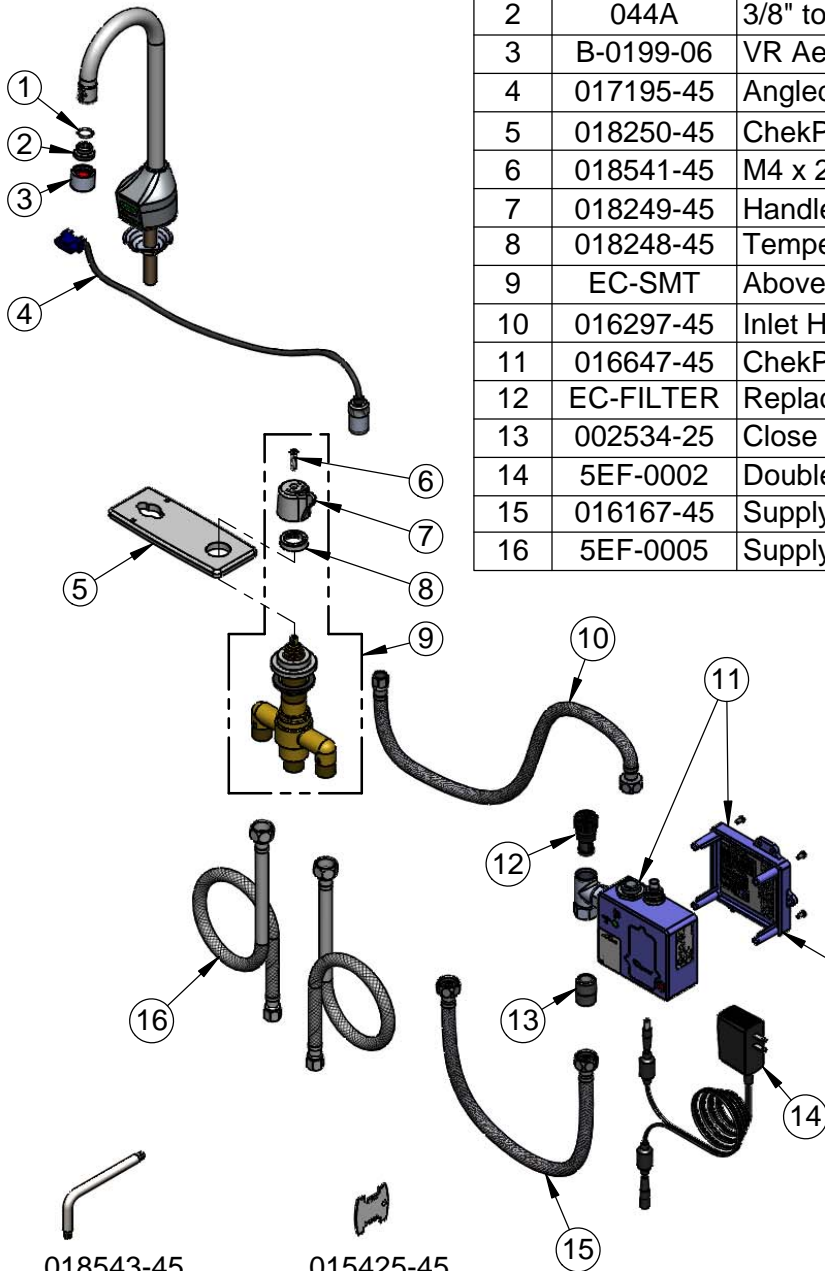
Model No.

**EC-3100-SMT4**

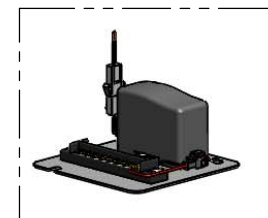
Item No.

Travelers Rest, SC: 800-476-4103 • Simi Valley, CA: 800-423-0150 • Fax: 864-834-3518 • www.tsbrass.com

ITEM NO.	SALES NO.	DESCRIPTION
1	006575-45	O-Ring
2	044A	3/8" to Aerator Adapter
3	B-0199-06	VR Aerator w/ Key
4	017195-45	Angled Sensor w/ Cable
5	018250-45	ChekPoint 4" C-C SMT Deck Plate
6	018541-45	M4 x 20mm, SS, Torx VR FH Screw
7	018249-45	Handle
8	018248-45	Temperature Limit Stop
9	EC-SMT	Above Deck Thermostatic Mixing Valve w/ Handle
10	016297-45	Inlet Hose, Faucet, 1/2" NPSM-F x 1/4" NPSM-F
11	016647-45	ChekPoint Module (Blue)
12	EC-FILTER	Replacement Filter
13	002534-25	Close Nipple, 1/2" NPT
14	5EF-0002	Double Gang, Plug-in AC Transformer
15	016167-45	Supply Hose, 1/2" NPSM Female x 1/2" NPSM Female
16	5EF-0005	Supply Hose, 9/16-24 Female x 1/2" NPSM



A Maximum of (8) ChekPoint Faucets can be Hardwire Connected and Powered by EC-HARDWIRE ChekPoint Hardwire AC Transformer. (Sold Separately)



Label for Flow Control Switch Settings is Located on Inside of Back Cover.

Flow Control Switches are Located Inside Module Housing in Black Box Next to Battery Compartment.  
\*Switches are Set to DEFAULT Position:  
- Auto Time Out = 15 Seconds  
- Shut Off Delay = 1 Second  
- Auto Flush = OFF

Remove (4) Screws and Back Cover to Access Switches.

018543-45 VR Screw L-Key  
015425-45 VR Aerator Key

\*Available Water Flow Control Selections:  
- Auto Time Out: 15 sec, 30 sec, 45 sec, 60 sec, 3 min, 20 min  
- Shut Off Delay: 1 sec, 10 sec, 15 sec, 30 sec  
- Auto Flush (30 Seconds After Every 12 Inactive Hours): ON or OFF

**Product Specifications:**

Chrome Plated Brass Electronic Faucet: Deck Mount Rigid Gooseneck w/ 4" Centers Deck Plate, Above Deck Side Mount Adjustable Thermostatic Mixing Valve w/ Integral Check Valves, AC/DC Control Module with Internal Flow Control Setting Switches, 18" Long Hot & Cold Supply Stop Flexible Connector Hoses

**Product Compliance:**

ASME A112.18.1 / CSA B125.1  
NSF 61 - Section 9  
NSF 372 (Low Lead Content)  
ANSI A117.1 (ADA)  
UL 1951  
ASSE 1070 (TMV)



# T&S BRASS AND BRONZE WORKS, INC.

2 Saddleback Cove / P.O. Box 1088  
Travelers Rest, SC 29690

Model No.

**EC-3100-SMT8**

Item No.

Travelers Rest, SC: 800-476-4103 • Simi Valley, CA: 800-423-0150 • Fax: 864-834-3518 • www.tsbrass.com



**ADA Compliant**



This Space for Architect/Engineer Approval

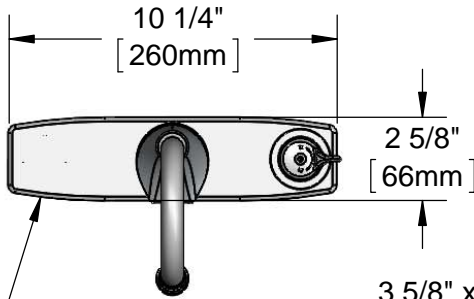
Job Name \_\_\_\_\_ Date \_\_\_\_\_

Model Specified \_\_\_\_\_ Quantity \_\_\_\_\_

Customer/Wholesaler \_\_\_\_\_

Contractor \_\_\_\_\_

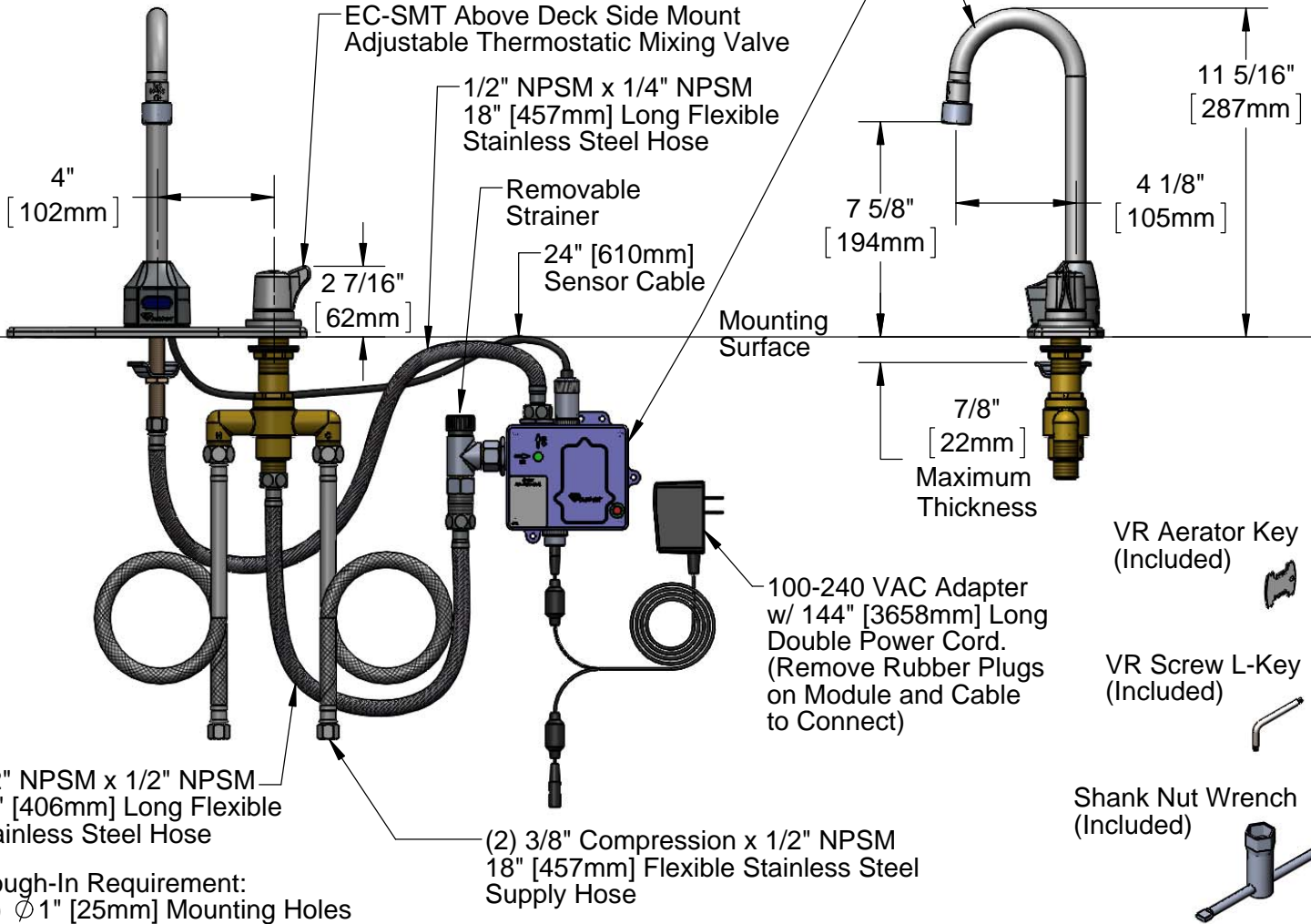
Architect/Engineer \_\_\_\_\_



Chrome Plated  
Die Cast Deck Plate

3 5/8" x 4 3/16" x 2" Deep  
[92mm x 106mm x 51mm]  
Water Resistant Control Module Box (Blue)  
w/ Internal Flow Control Setting Switches,  
AC or DC Operated w/ (4) AA Batteries.  
Hardwire Capable Using Terminals on Back

Rigid Gooseneck w/  
B-0199-06, 2.2 GPM  
Vandal Resistant Aerator



EC-SMT Above Deck Side Mount  
Adjustable Thermostatic Mixing Valve

1/2" NPSM x 1/4" NPSM  
18" [457mm] Long Flexible  
Stainless Steel Hose

Removable  
Strainer

24" [610mm]  
Sensor Cable

Mounting  
Surface

7/8"  
[22mm]  
Maximum  
Thickness

100-240 VAC Adapter  
w/ 144" [3658mm] Long  
Double Power Cord.  
(Remove Rubber Plugs  
on Module and Cable  
to Connect)

VR Aerator Key  
(Included)

VR Screw L-Key  
(Included)

Shank Nut Wrench  
(Included)

1/2" NPSM x 1/2" NPSM  
16" [406mm] Long Flexible  
Stainless Steel Hose

Rough-In Requirement:  
(2)  $\phi$  1" [25mm] Mounting Holes

(2) 3/8" Compression x 1/2" NPSM  
18" [457mm] Flexible Stainless Steel  
Supply Hose

**Product Specifications:**

Chrome Plated Brass Electronic Faucet: Deck Mount Rigid Gooseneck w/ 8" Centers Deck Plate, Above Deck Side Mount Adjustable Thermostatic Mixing Valve w/ Integral Check Valves, AC/DC Control Module with Internal Flow Control Setting Switches, 18" Long Hot & Cold Supply Stop Flexible Connector Hoses

**Product Compliance:**

ASME A112.18.1 / CSA B125.1  
NSF 61 - Section 9  
NSF 372 (Low Lead Content)  
ANSI A117.1 (ADA)  
UL 1951  
ASSE 1070 (TMV)



# T&S BRASS AND BRONZE WORKS, INC.

2 Saddleback Cove / P.O. Box 1088  
Travelers Rest, SC 29690

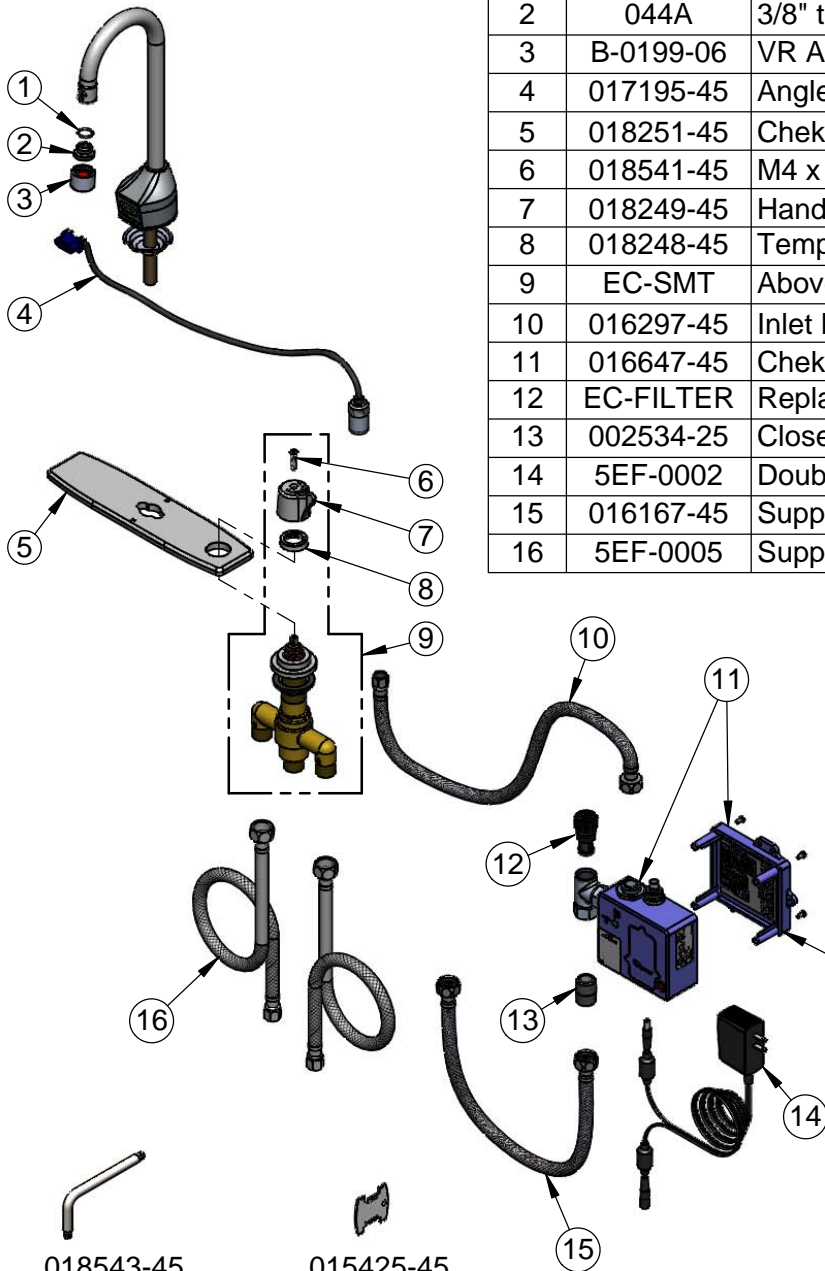
Model No.

**EC-3100-SMT8**

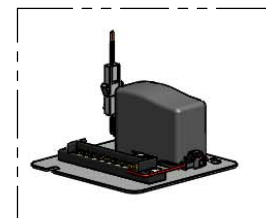
Item No.

Travelers Rest, SC: 800-476-4103 • Simi Valley, CA: 800-423-0150 • Fax: 864-834-3518 • www.tsbrass.com

ITEM NO.	SALES NO.	DESCRIPTION
1	006575-45	O-Ring
2	044A	3/8" to Aerator Adapter
3	B-0199-06	VR Aerator w/ Key
4	017195-45	Angled Sensor w/ Cable
5	018251-45	ChekPoint 8" C-C SMT Deck Plate
6	018541-45	M4 x 20mm, SS, Torx VR FH Screw
7	018249-45	Handle
8	018248-45	Temperature Limit Stop
9	EC-SMT	Above Deck Thermostatic Mixing Valve w/ Handle
10	016297-45	Inlet Hose, Faucet, 1/2" NPSM-F x 1/4" NPSM-F
11	016647-45	ChekPoint Module (Blue)
12	EC-FILTER	Replacement Filter
13	002534-25	Close Nipple, 1/2" NPT
14	5EF-0002	Double Gang, Plug-in AC Transformer
15	016167-45	Supply Hose, 1/2" NPSM Female x 1/2" NPSM Female
16	5EF-0005	Supply Hose, 9/16-24 Female x 1/2" NPSM



A Maximum of (8) ChekPoint Faucets can be Hardwire Connected and Powered by EC-HARDWIRE ChekPoint Hardwire AC Transformer. (Sold Separately)



Label for Flow Control Switch Settings is Located on Inside of Back Cover.

Flow Control Switches are Located Inside Module Housing in Black Box Next to Battery Compartment.  
\*Switches are Set to DEFAULT Position:  
- Auto Time Out = 15 Seconds  
- Shut Off Delay = 1 Second  
- Auto Flush = OFF

Remove (4) Screws and Back Cover to Access Switches.

018543-45 VR Screw L-Key  
015425-45 VR Aerator Key

\*Available Water Flow Control Selections:  
- Auto Time Out: 15 sec, 30 sec, 45 sec, 60 sec, 3 min, 20 min  
- Shut Off Delay: 1 sec, 10 sec, 15 sec, 30 sec  
- Auto Flush (30 Seconds After Every 12 Inactive Hours): ON or OFF

**Product Specifications:**

Chrome Plated Brass Electronic Faucet: Deck Mount Rigid Gooseneck w/ 8" Centers Deck Plate, Above Deck Side Mount Adjustable Thermostatic Mixing Valve w/ Integral Check Valves, AC/DC Control Module with Internal Flow Control Setting Switches, 18" Long Hot & Cold Supply Stop Flexible Connector Hoses

**Product Compliance:**

ASME A112.18.1 / CSA B125.1  
NSF 61 - Section 9  
NSF 372 (Low Lead Content)  
ANSI A117.1 (ADA)  
UL 1951  
ASSE 1070 (TMV)