



T&S BRASS AND BRONZE WORKS, INC.
 2 Saddleback Cove / P.O. Box 1088
 Travelers Rest, SC 29690

Model No.
BL-5775-08

Item No.

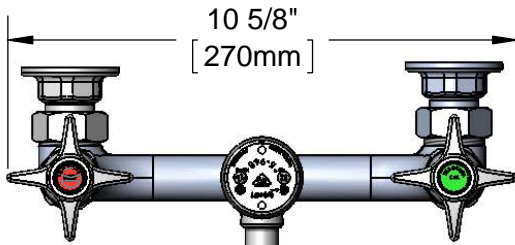
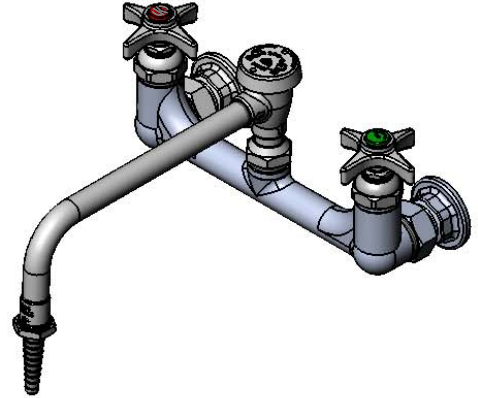
Travelers Rest, SC: 800-476-4103 • Simi Valley, CA: 800-423-0150 • Fax: 864-834-3518 • www.tsbrass.com

This Space for Architect/Engineer Approval

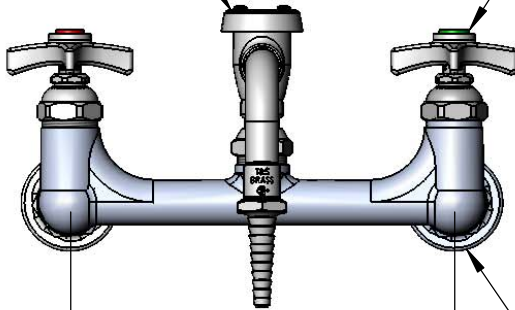
Job Name _____ Date _____
 Model Specified _____ Quantity _____
 Customer/Wholesaler _____
 Contractor _____
 Architect/Engineer _____



ADA Compliant



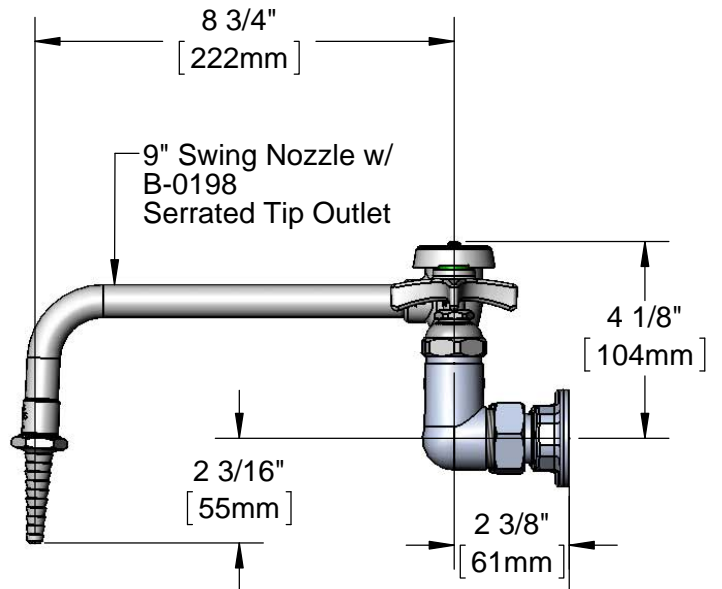
B-0968
 3/8" NPT
 Vacuum Breaker



8" [203mm]
 Adjustable From
 7 3/4" to 8 1/4"
 [197mm to 210mm]

Ø 2" [51mm]
 Flanges w/
 1/2" NPT
 Female Inlets

Eterna Cartridges &
 4-Arm Handles w/
 Color Coded Indexes



Mounting Surface

Product Specifications:
 8" Wall Mount Mixing Faucet, Eterna Cartridges, 9" Swing Nozzle
 w/ Serrated Tip, Vacuum Breaker, 4-Arm Handles & 1/2" NPT
 Female Inlets

Drawn DHL	Checked DMH	Approved JHB
Scale: 1:4		Date: 05/21/12



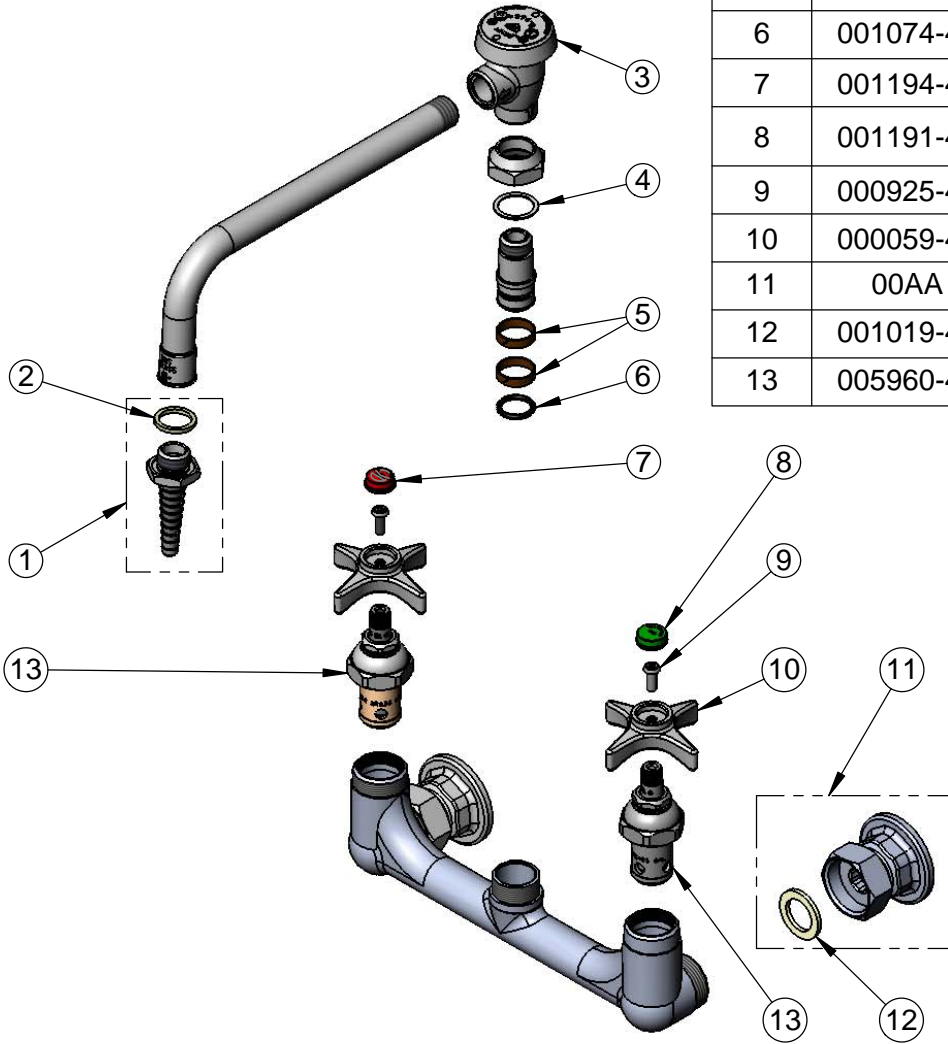
T&S BRASS AND BRONZE WORKS, INC.
 2 Saddleback Cove / P.O. Box 1088
 Travelers Rest, SC 29690

Model No.
BL-5775-08

Item No.

Travelers Rest, SC: 800-476-4103 • Simi Valley, CA: 800-423-0150 • Fax: 864-834-3518 • www.tsbrass.com

ITEM NO.	SALES NO.	DESCRIPTION
1	B-0198	Serrated Tip
2	001051-45	Washer
3	B-0968	3/8" NPT Vacuum Breaker
4	009E	Plastic Washer
5	011429-45	Swivel Sleeves (2)
6	001074-45	O-Ring
7	001194-45	Red HW Index
8	001191-45	Green CW Index
9	000925-45	Lab Handle Screw
10	000059-40	4-Arm Lab Handle
11	00AA	Flange Assembly
12	001019-45	Coupling Nut Washer
13	005960-40	Eterna Cartridge, RTC



Product Specifications:
 8" Wall Mount Mixing Faucet, Eterna Cartridges, 9" Swing Nozzle
 w/ Serrated Tip, Vacuum Breaker, 4-Arm Handles & 1/2" NPT
 Female Inlets

Drawn DHL	Checked DMH	Approved JHB
Scale: NTS		Date: 05/21/12