



T&S BRASS AND BRONZE WORKS, INC.
 2 Saddleback Cove / P.O. Box 1088
 Travelers Rest, SC 29690

Model No.
BL-5705-08

Item No.

Travelers Rest, SC: 800-476-4103 • Simi Valley, CA: 800-423-0150 • Fax: 864-834-3518 • www.tsbrass.com



ADA Compliant

This Space for Architect/Engineer Approval

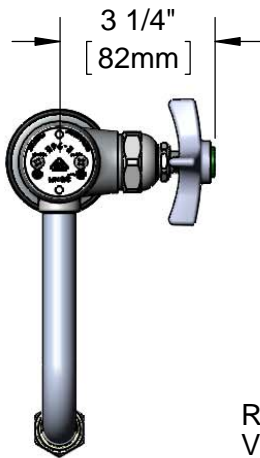
Job Name _____ Date _____

Model Specified _____ Quantity _____

Customer/Wholesaler _____

Contractor _____

Architect/Engineer _____



3 1/4"
[82mm]

Rigid Nozzle w/
Vacuum Breaker &
B-0198
Serrated Tip Outlet

B-0968
3/8" NPT
Vacuum Breaker

3/8" NPT x 7"
Riser

Eterna Cartridge &
4-Arm Lab Handle w/
Color Coded Index

5 11/16"
[144mm]

12 11/16"
[323mm]

6 7/16"
[164mm]

4"
[101mm]

Mounting Surface

2 7/16"
[61mm]

Deck Gasket

1 9/16"
[40mm]
Maximum
Thickness

1/2" NPSM
Male Inlet

150A
Optional Tailpiece & Nut
For 1/4" NPT Connection
(Included)

Rough-In Requirement:
Ø 1" [25mm] Mounting Hole

Product Specifications:

Single Hole Single Temperature Deck Mount Laboratory Faucet, Eterna Cartridge, 4-Arm Lab Handle, Rigid Vacuum Breaker Nozzle, Serrated Tip & 1/2" NPSM Male Inlet

Product Compliance:

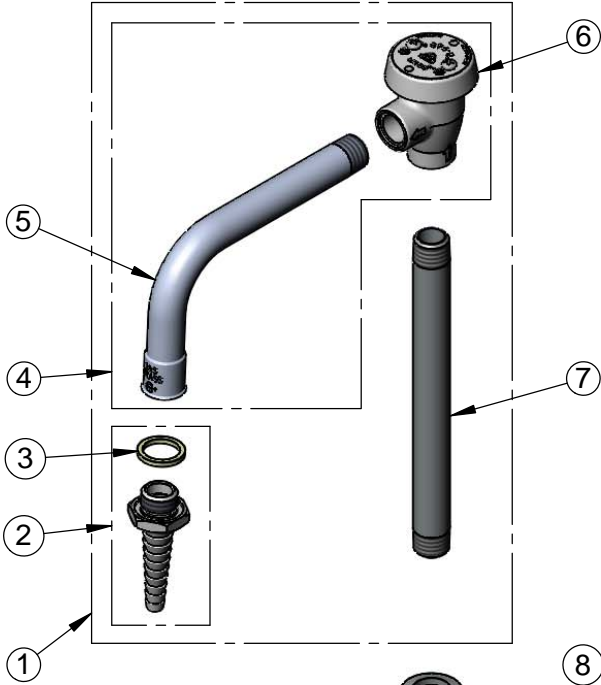
ASME A112.18.1 / CSA B125.1
 NSF 61 Exempt (Non-Potable)
 ANSI A117.1 (ADA)
 ASSE 1001 (VB)



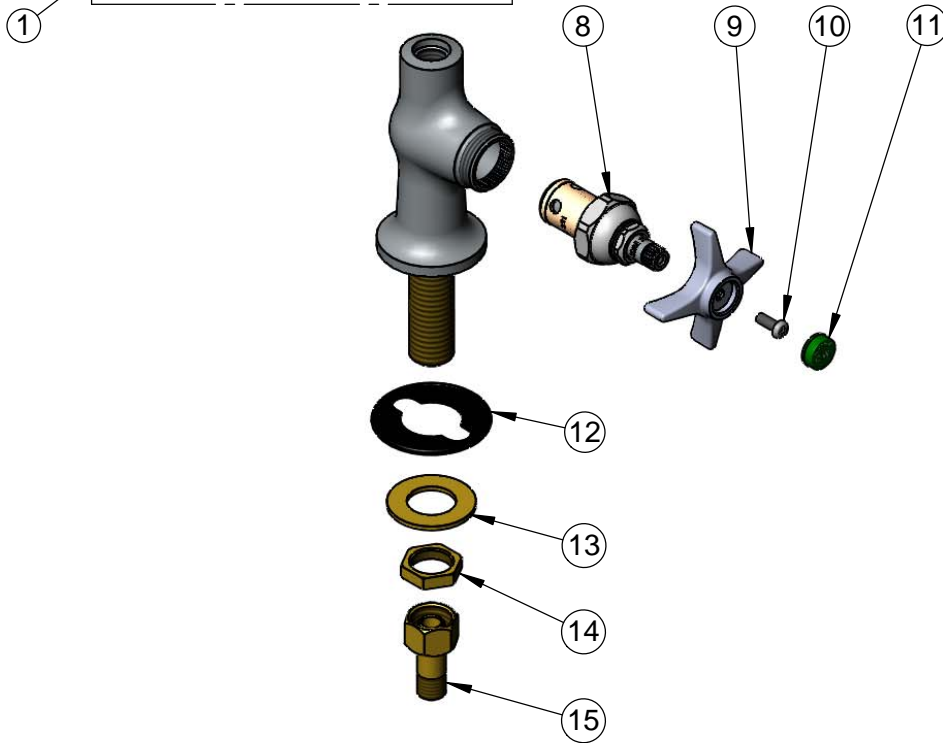
T&S BRASS AND BRONZE WORKS, INC.
 2 Saddleback Cove / P.O. Box 1088
 Travelers Rest, SC 29690

Model No.
BL-5705-08
 Item No.

Travelers Rest, SC: 800-476-4103 • Simi Valley, CA: 800-423-0150 • Fax: 864-834-3518 • www.tsbrass.com



ITEM NO.	SALES NO.	DESCRIPTION
1	BL-5560-01	Rigid Nozzle w/ Vacuum Breaker, Serrated Tip & 3/8" NPT x 7" Riser Inlet
2	B-0198	Serrated Tip w/ Washer
3	001051-45	Washer
4	007283-40	Nozzle w/ Vacuum Breaker Only
5	000387-40	Nozzle
6	B-0968	3/8" NPT Vacuum Breaker
7	000363-40	3/8" NPT x 7" Riser
8	005960-40	Eterna Cartridge, RTC
9	000059-40	4-Arm Lab Handle
10	000925-45	Lab Handle Screw
11	001191-45	Green Index - CW
12	144L	Black Plastic Deck Gasket
13	000999-45	Brass Washer
14	002954-45	Shank Lock Nut
15	150A	Bag of (1) Tailpiece & (1) Nut



Product Specifications:
 Single Hole Single Temperature Deck Mount Laboratory Faucet, Eterna Cartridge, 4-Arm Lab Handle, Rigid Vacuum Breaker Nozzle, Serrated Tip & 1/2" NPSM Male Inlet

Product Compliance:
 ASME A112.18.1 / CSA B125.1
 NSF 61 Exempt (Non-Potable)
 ANSI A117.1 (ADA)
 ASSE 1001 (VB)



T&S BRASS AND BRONZE WORKS, INC.
 2 SADDLEBACK COVE / P.O. BOX 1088 / TRAVELERS REST, SC 29690
 PHONE 800-476-4103 - FAX 864- 834-3518



Model No.
 BL-5705-08-VR
**RELIABILITY
 BUILT IN**

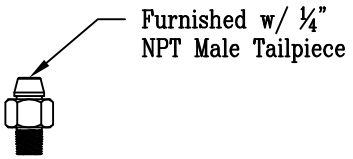
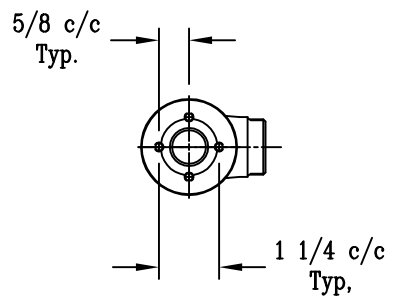
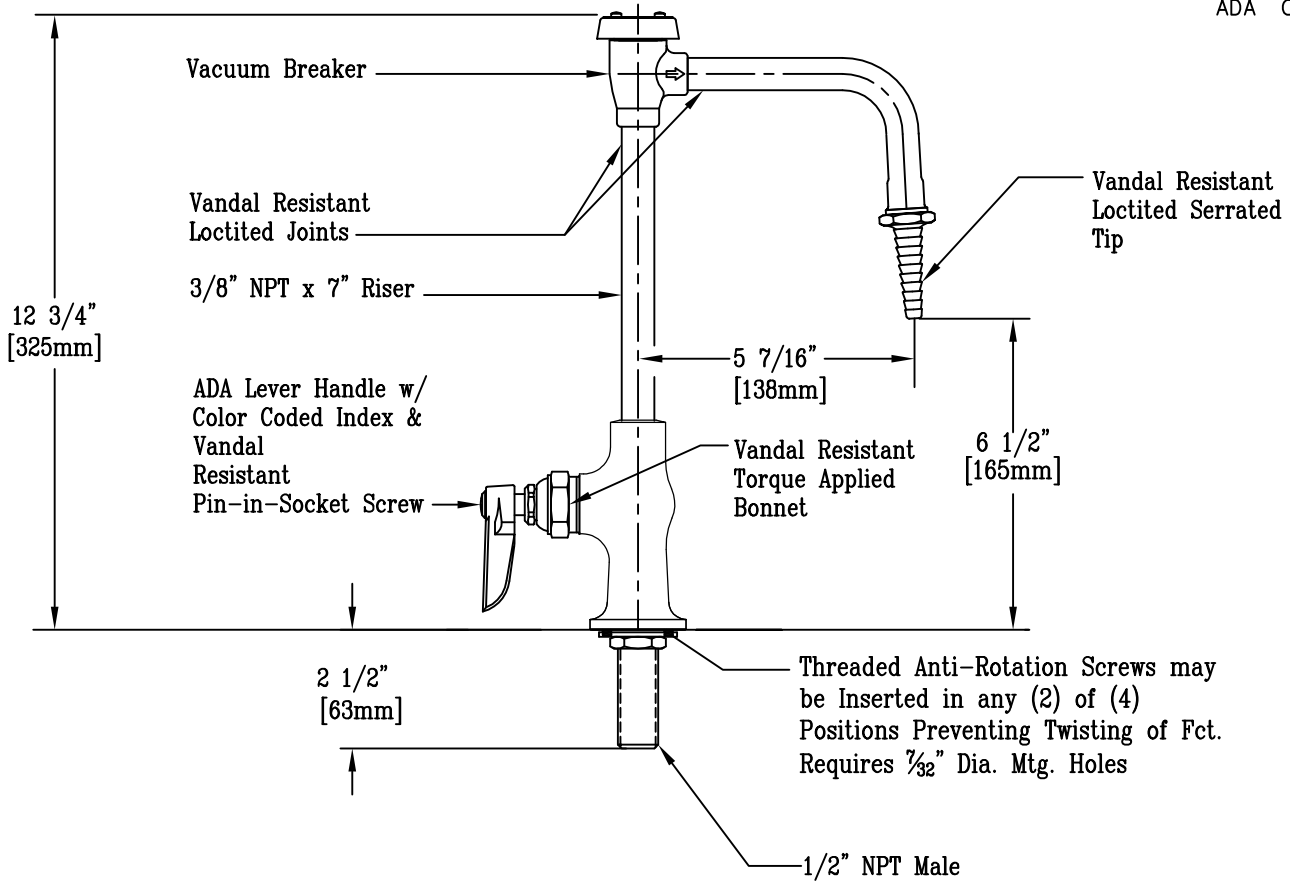
Job Name:

Architect/Engineer Approval:

Notes:

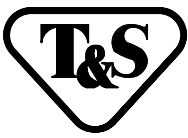


ADA COMPLIANT



Product Description:
 Vandal Resistant Single Temperature Deck Mount Faucet, Rigid Nozzle, w/ Anti-Rotation Vandal Resistant Base, Vacuum Breaker, ADA Lever Handle w/ Vandal Resistant Screws, & Serrated Tip Outlet

Drawn: WJS	Checked JRM	Scale: 1 : 4
Approved JHB	Date: 01/29/07	



T&S BRASS AND BRONZE WORKS, INC.
 2 SADDLEBACK COVE / P.O. BOX 1088 / TRAVELERS REST, SC 29690
 PHONE 800-476-4103 - FAX 864- 834-3518



Model No.

BL-5705-09

**RELIABILITY
BUILT IN**

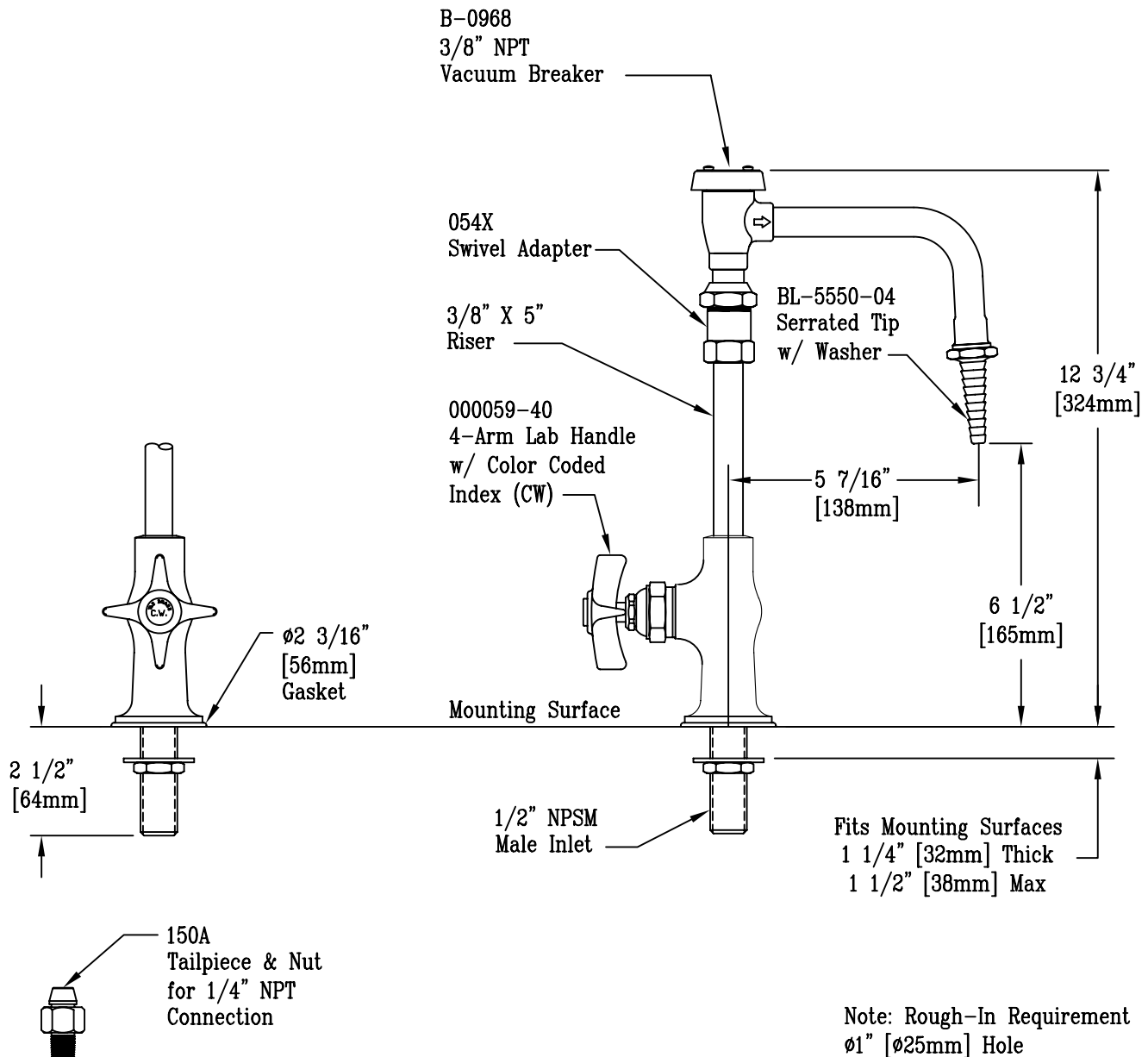
Job Name:

Architect/Engineer Approval:

Notes:



ADA COMPLIANT



Product Description:
 Single Temperature Lab Faucet w/ Vacuum Breaker Swing
 Nozzle, Serrated Tip & 1/2" NPSM Male Inlet

Drawn:	Checked:	Scale:
KJG	DHL	1 : 4
Approved:	Date:	
JHB	07/23/09	