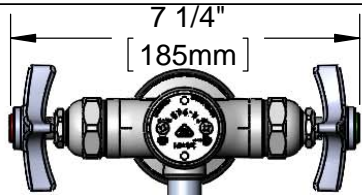


T&S BRASS AND BRONZE WORKS, INC.
 2 Saddleback Cove / P.O. Box 1088
 Travelers Rest, SC 29690

Model No.
BL-5700-08
 Item No.

Travelers Rest, SC: 800-476-4103 • Simi Valley, CA: 800-423-0150 • Fax: 864-834-3518 • www.tsbrass.com



ADA Compliant

This Space for Architect/Engineer Approval

Job Name _____ Date _____

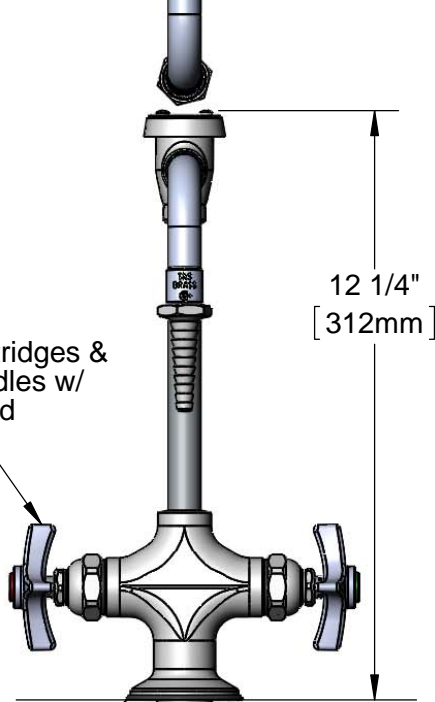
Model Specified _____ Quantity _____

Customer/Wholesaler _____

Contractor _____

Architect/Engineer _____

Eterna Cartridges &
 4-Arm Handles w/
 Color Coded
 Indexes



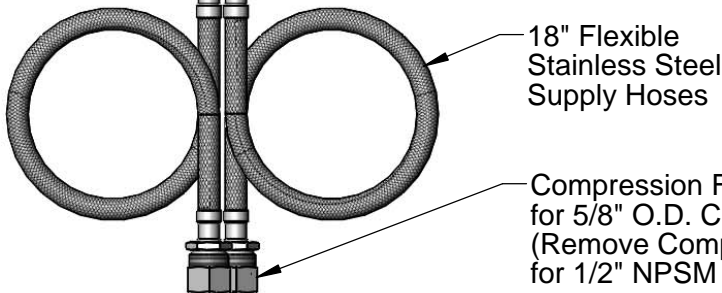
Ø 2 7/16"
 Base Gasket

B-0968
 3/8" NPT
 Vacuum Breaker
 Vacuum Breaker
 Nozzle &
 B-0198
 Serrated
 Tip and
 Washer

5 11/16"
 [144mm]
 6"
 [153mm]

Mounting Surface

1" [25mm]
 Maximum
 Thickness



18" Flexible
 Stainless Steel
 Supply Hoses

Compression Fittings
 for 5/8" O.D. Copper Tubing
 (Remove Compression Nut
 for 1/2" NPSM Male)

Rough-In Requirement:
 1 1/4" [Ø 32mm] Mounting Holes

Product Specifications:
 Single Hole Deck Mount Laboratory Mixing Faucet w/ Rigid Vacuum
 Breaker Nozzle, Serrated Tip, 4-Arm Handles & 18" Flexible Stainless
 Steel Supply Hoses

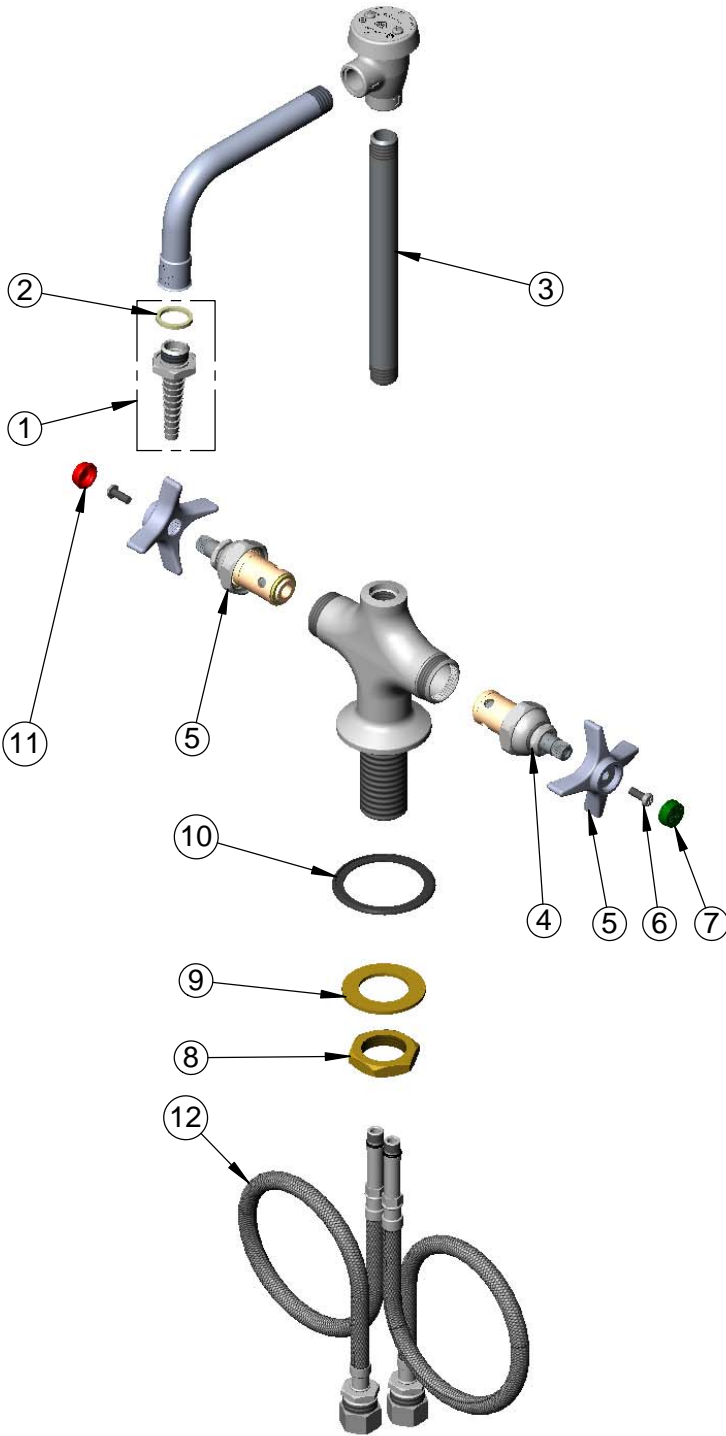
Product Compliance:
 ASME A112.18.1 / CSA B125.1
 NSF 61 Exempt (Non-Potable)
 ANSI A117.1 (ADA)
 ASSE 1001 (VB)



T&S BRASS AND BRONZE WORKS, INC.
 2 Saddleback Cove / P.O. Box 1088
 Travelers Rest, SC 29690

Model No.
BL-5700-08
 Item No.

Travelers Rest, SC: 800-476-4103 • Simi Valley, CA: 800-423-0150 • Fax: 864-834-3518 • www.tsbrass.com



ITEM NO.	SALES NO.	DESCRIPTION
1	B-0198	Serrated Tip
2	001051-45	Washer
3	000363-40	3/8" NPT x 7" Riser
4	005960-40	Eterna Cartridge, RTC
5	000059-40	4-Arm Lab Handle
6	000925-45	Lab Handle Screw
7	001191-45	Green Index - CW
8	000965-45	Lock Nut
9	002290-45	Lock Washer
10	145L	Black Plastic Gasket
11	001194-45	Red Index - HW
12	012534-45	18" Flexible Supply Hose (2)

Product Specifications:
 Single Hole Deck Mount Laboratory Mixing Faucet w/ Rigid Vacuum Breaker Nozzle, Serrated Tip, 4-Arm Handles & 18" Flexible Stainless Steel Supply Hoses

Product Compliance:
 ASME A112.18.1 / CSA B125.1
 NSF 61 Exempt (Non-Potable)
 ANSI A117.1 (ADA)
 ASSE 1001 (VB)



T&S BRASS AND BRONZE WORKS, INC.

2 Saddleback Cove / P.O. Box 1088
Travelers Rest, SC 29690

Model No.

BL-5700-08-VR

Item No.

Travelers Rest, SC: 800-476-4103 • Simi Valley, CA: 800-423-0150 • Fax: 864-834-3518 • www.tsbrass.com



ADA Compliant

This Space for Architect/Engineer Approval

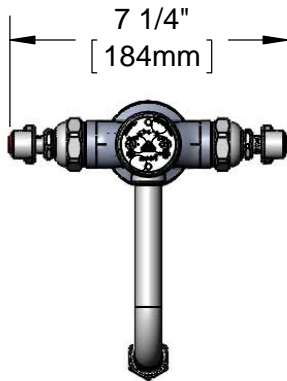
Job Name _____ Date _____

Model Specified _____ Quantity _____

Customer/Wholesaler _____

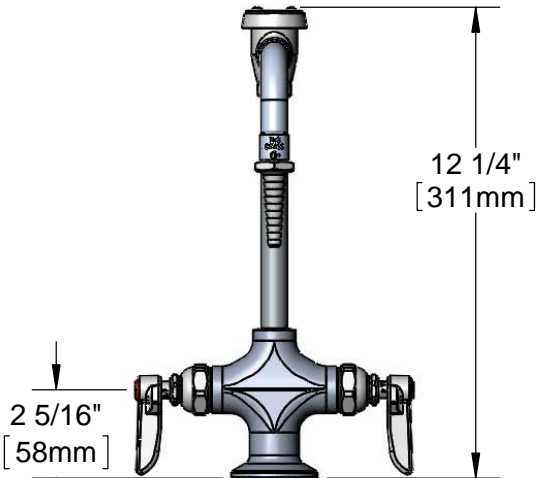
Contractor _____

Architect/Engineer _____



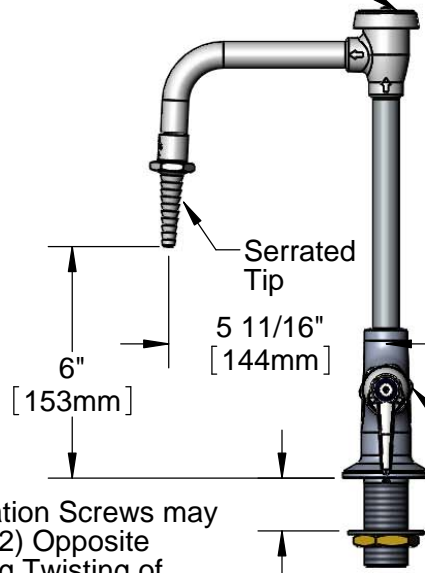
7 1/4"
[184mm]

B-0968
3/8" NPT
Vacuum Breaker



12 1/4"
[311mm]

2 5/16"
[58mm]

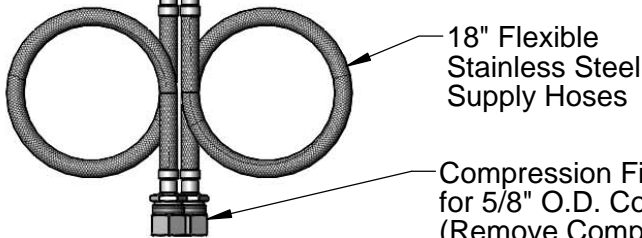


Serrated
Tip
5 11/16"
[144mm]

6"
[153mm]

Eterna Cartridges &
Lever Handles w/
VR Screws and
Color Coded Indexes

Threaded Anti-Rotation Screws may
be Inserted in any (2) Opposite
Positions Preventing Twisting of
Faucet. Requires Ø 7/32" Holes



18" Flexible
Stainless Steel
Supply Hoses

Compression Fittings
for 5/8" O.D. Copper Tubing
(Remove Compression Nut
for 1/2" NPSM Male)

1 3/8"
[35mm]
Maximum
Thickness



1 1/2"
[38mm]

3/4"
[19mm]

Bottom View

Product Specifications:

Single Hole Deck Mount Laboratory Mixing Faucet, Eterna Cartridges, Lever Handles w/ VR Screws, Rigid Vacuum Breaker Nozzle & Serrated Tip, Vandal Resistant Pins, 18" Flexible Stainless Steel Supply Hoses w/ 1/2" NPSM Male Inlets

Product Compliance:

ASME A112.18.1 / CSA B125.1
NSF 61 Exempt (Non-Potable)
ANSI A117.1 (ADA)
ASSE 1001 (VB)

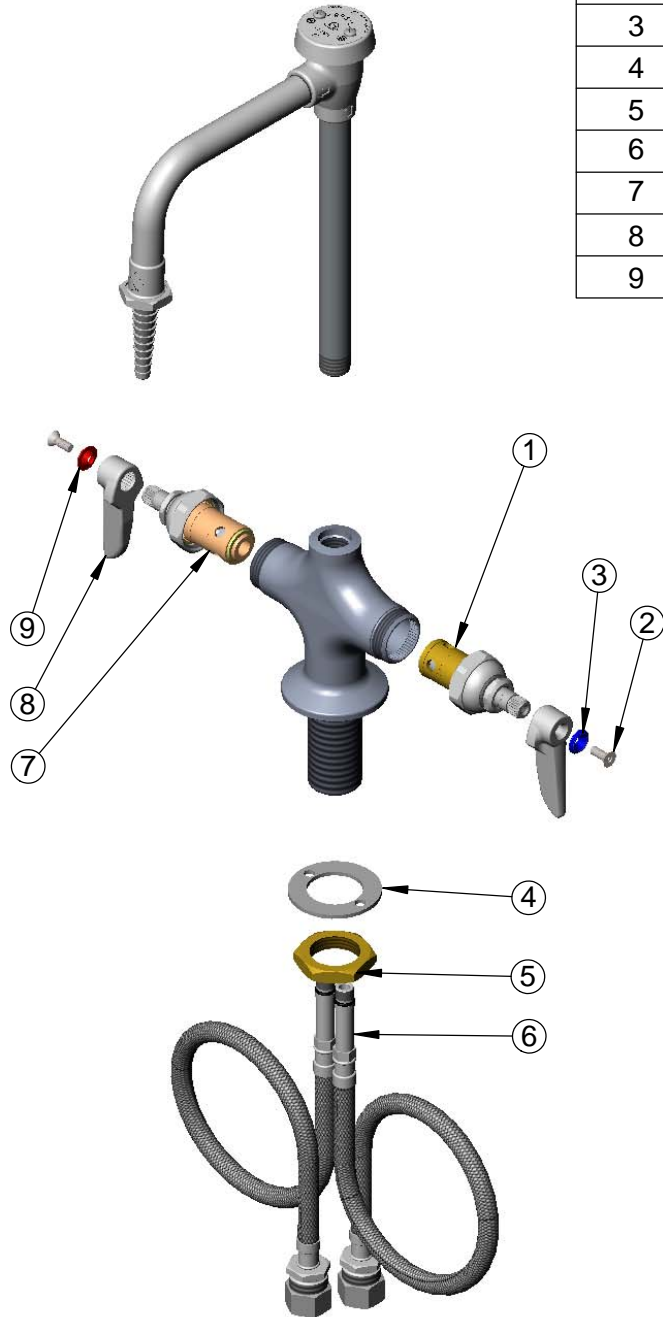


T&S BRASS AND BRONZE WORKS, INC.
 2 Saddleback Cove / P.O. Box 1088
 Travelers Rest, SC 29690

Model No.
BL-5700-08-VR
 Item No.

Travelers Rest, SC: 800-476-4103 • Simi Valley, CA: 800-423-0150 • Fax: 864-834-3518 • www.tsbrass.com

ITEM NO.	SALES NO.	DESCRIPTION
1	005959-40	Eterna Cartridge, LTC
2	B-VRS	Pin-In-Socket Screw w/ Hex Key
3	001660-45	Blue Index-CW
4	013039-20	Washer, VR Shank
5	000965-45	Lock Nut
6	012534-45	18" Flexible Supply Hose (2)
7	005960-40	Eterna Cartridge, RTC
8	001638-45	Lever Handle
9	001661-45	Red Index-HW



Product Specifications:

Single Hole Deck Mount Laboratory Mixing Faucet, Eterna Cartridges, Lever Handles w/ VR Screws, Rigid Vacuum Breaker Nozzle & Serrated Tip, Vandal Resistant Pins, 18" Flexible Stainless Steel Supply Hoses w/ 1/2" NPSM Male Inlets

Product Compliance:

ASME A112.18.1 / CSA B125.1
 NSF 61 Exempt (Non-Potable)
 ANSI A117.1 (ADA)
 ASSE 1001 (VB)



T&S BRASS AND BRONZE WORKS, INC.

2 Saddleback Cove / P.O. Box 1088
Travelers Rest, SC 29690

Model No.

BL-5700-09

Item No.

Travelers Rest, SC: 800-476-4103 • Simi Valley, CA: 800-423-0150 • Fax: 864-834-3518 • www.tsbrass.com

This Space for Architect/Engineer Approval

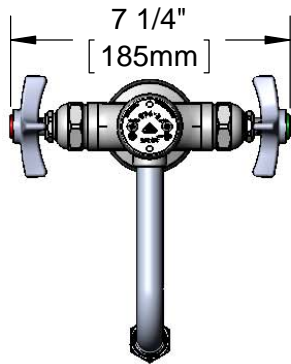
Job Name _____ Date _____

Model Specified _____ Quantity _____

Customer/Wholesaler _____

Contractor _____

Architect/Engineer _____



ADA Compliant

Swing Nozzle w/
Vacuum Breaker &
B-0198
Serrated Tip Outlet

B-0968
3/8" NPT
Vacuum
Breaker

Eterna Cartridges
& 4-Arm Handles
w/ Color Coded
Indexes

3 5/8"
[93mm]

Swivel Joint

Rigid to
Swivel
Adapter

12 5/16"
[313mm]

3/8" X 5"
Riser

5 11/16"
[144mm]

Ø 2 1/4" [57mm]
Flange w/ Ø 1 1/8"
[29mm] Shank

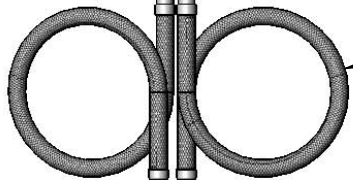
6 1/16"
[154mm]

Mounting
Surface

1 3/8"
[34mm]

Deck Gasket

Maximum
Thickness



18" Flexible
Stainless Steel
Supply Hoses

Compression Fittings
for 5/8" O.D. Copper Tubing
(Remove Compression Nut
for 1/2" NPSM Male)

Rough-In Requirement:
Ø 1 1/2" [38mm] Mounting Hole

Product Specifications:

Single Hole Deck Mount Laboratory Mixing Faucet, Eterna Cartridges, 4-Arm Handles, Vacuum Breaker Swing Nozzle, Serrated Tip & 18" Flexible Stainless Steel Supply Hoses w/ 1/2" NPSM Male Inlets

Product Compliance:

ASME A112.18.1 / CSA B125.1
NSF 61 Exempt (Non-Potable)
ANSI A117.1 (ADA)
ASSE 1001 (VB)

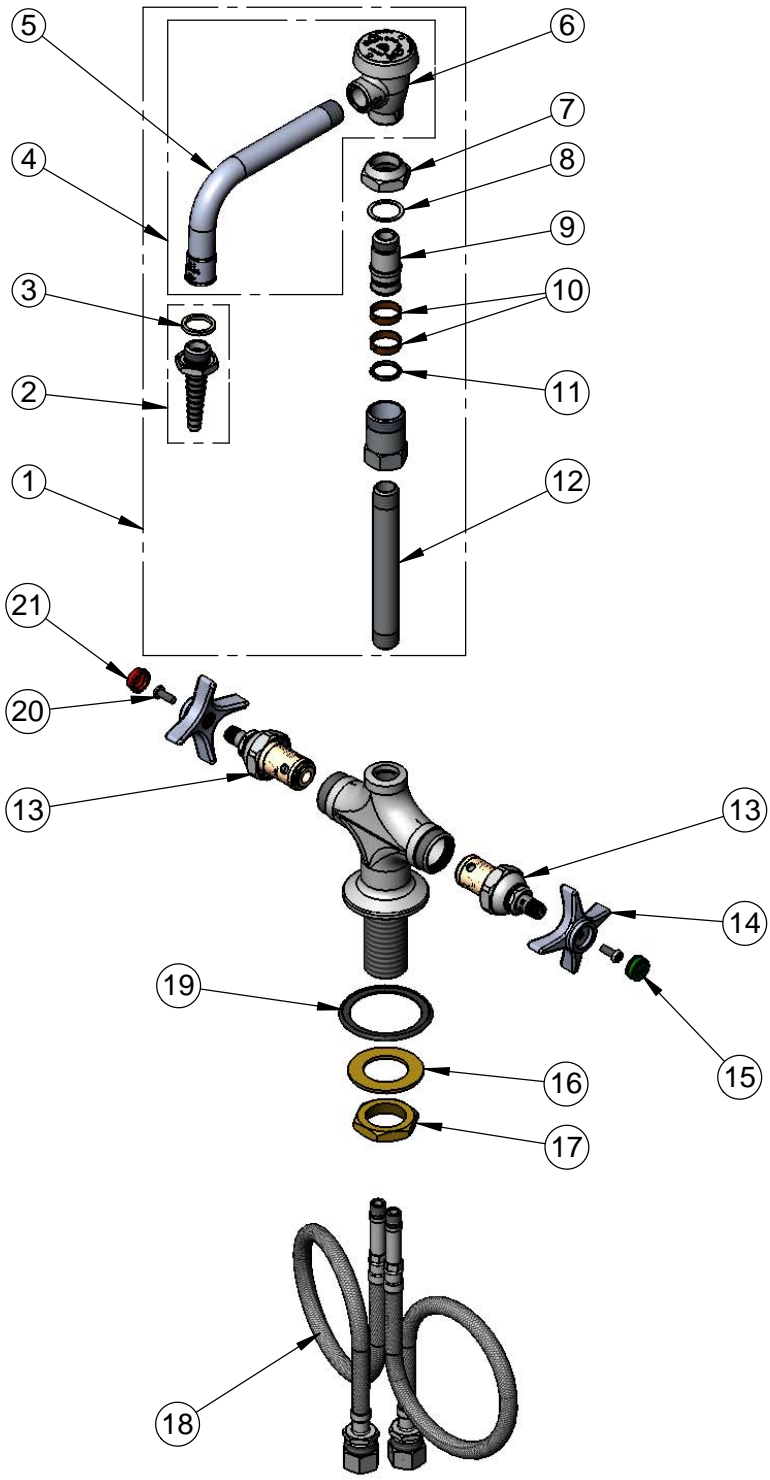


T&S BRASS AND BRONZE WORKS, INC.
 2 Saddleback Cove / P.O. Box 1088
 Travelers Rest, SC 29690

Model No.
BL-5700-09

Item No.

Travelers Rest, SC: 800-476-4103 • Simi Valley, CA: 800-423-0150 • Fax: 864-834-3518 • www.tsbrass.com



ITEM NO.	SALES NO.	DESCRIPTION
1	BL-5560-02	Swing Nozzle w/ Vacuum Breaker & 3/8" NPT x 5" Nipple Inlet
2	B-0198	Serrated Tip w/ Washer
3	001051-45	Washer
4	007283-40	Nozzle w/ Vacuum Breaker Only
5	000387-40	Nozzle
6	B-0968	3/8" NPT Vacuum Breaker
7	000711-40	Swivel Nut
8	009E	Plastic Washer
9	000843-25	Swivel Body
10	011429-45	Swivel Sleeves (2)
11	001074-45	O-Ring
12	000361-40	3/8" NPT x 5" Riser
13	005960-40	Eterna Cartridge, RTC
14	000059-40	4-Arm Lab Handle
15	001191-45	Green Index - CW
16	002290-45	Lock Washer
17	000965-45	Lock Nut
18	012534-45	Flexible Connector Hose (2)
19	145L	Black Plastic Deck Gasket
20	000925-45	Lab Handle Screw
21	001194-45	Red Index - HW

Product Specifications:
 Single Hole Deck Mount Laboratory Mixing Faucet, Eterna Cartridges, 4-Arm Handles, Vacuum Breaker Swing Nozzle, Serrated Tip & 18" Flexible Stainless Steel Supply Hoses w/ 1/2" NPSM Male Inlets

Product Compliance:
 ASME A112.18.1 / CSA B125.1
 NSF 61 Exempt (Non-Potable)
 ANSI A117.1 (ADA)
 ASSE 1001 (VB)